

Ropox Shower & Changing Bed

User Manual

Mounting instruction

Keep this folder with the product at all times

Content

General information	3
Mounting Instructions	7
Electrical components	19
Labelling	21
Support	22
Spareparts	23
Accessories	24
Maintenance	25
Cleaning	<i>Fejl! Bogmærke er ikke defineret.</i>
CE- erklæring	27
EU – Declaration of Conformity	27
Complaints	29

General information

Product information



It is important to read this manual before mounting and daily use.

Product : Ropox Shower & Changing Bed, height adjustable

Producer : Ropox, DK-4700 Naestved, Phone +45 55 75 05 00

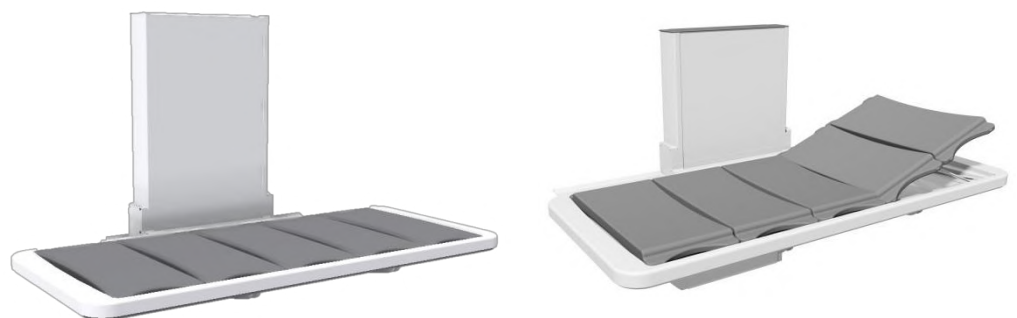
Usability – The height adjustable shower bed can be used to nurse children and adults (up to 220Kg). The shower bed can be used at home, in day care center or institutions to obtain good and correct working conditions for the carer.

When not in use, the shower tray can be folded up against the wall to save space.

By using the up and down button on the handheld control switch, the height adjustment of the shower bed can be performed.

Part Numbers

Length of shower bed	Part No. (excl. back support)	Part No. (incl. back support)
146cm	40-25023	40-25073
178cm	40-25026	40-25076
210cm	40-25029	40-25079



General information

Technical data

Electrical connection:	230V, 50Hz, max 2.0A
Standby consumption:	7W
Duty cycle:	Max 10%, 2 min/18 min
Height:	Work surface 30 – 100 cm Unit, B=60 cm, H=116cm, D=13cm
Material – Frame:	Welded steel tubes St.37, Stainless and aluminum
Shower tray:	ABS
Surface treatment:	Powder coating, white RAL 9010 matt, Chromate
Maximum load:	220 kg



This product has CE-marking according to "Medical equipment, Low Voltage and EMC directives. Has been tested according to the European standards DS/EN ISO 12182 and DS/EN ISO 60601-1. This product is in risk group 1.

Daily use

Before start using this product, be sure that "main power" has been connected as described in electrical connections.

By using the up ▲ down ▼ bottom on the handheld control switch, the height adjustment of the shower bed can be performed. The control switch has a spiral cord, which can be pulled out to a length of 200cm.

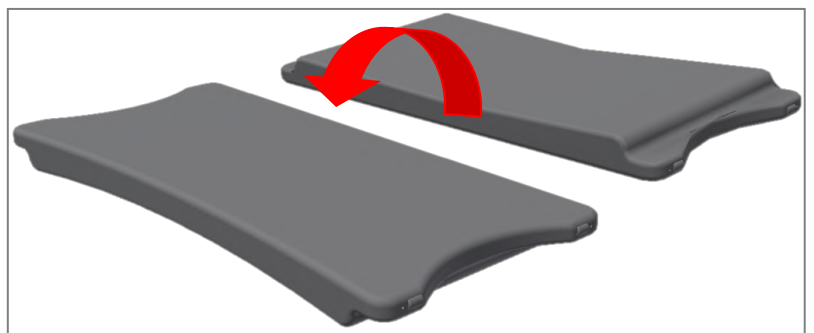
Maximum load onto the Shower & Changing Bed 220 kg.

The slat

The slats have two sides with different hardness and can be turned around in the Shower tray.

The soft side is used, when the person on the Shower bed needs to be washed.

The hard side is used, when the person on the Shower bed needs to be changed.



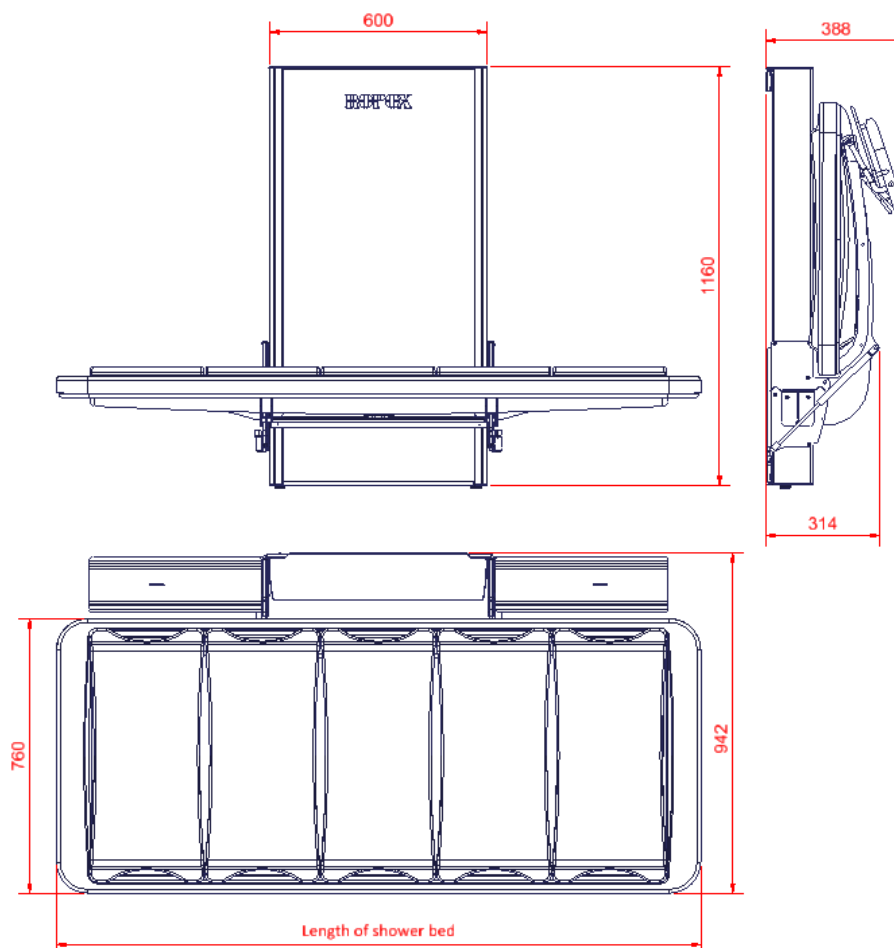
General information

After use

When not using the shower bed, the shower tray can be folded up against the Lifting unit. This way it will only take up the space of approx. 30cm from the wall.

Inside the lifting unit, a gas damper is mounted, to reduce the power needed, when folding the tray up and down.

Dimensions



Length of shower bed	Part No. (excl. back support)	Part No. (incl. back support)
146cm	40-25023	40-25073
178cm	40-25026	40-25076
210cm	40-25029	40-25079

General information

Recommendations in use

The height adjustable shower bed helps the caretaker to obtain the most optimal working height.

Height adjustment allows you to customize the working height to the individual carer, and can also save unnecessary lifting, when transferring from e.g. wheelchair.

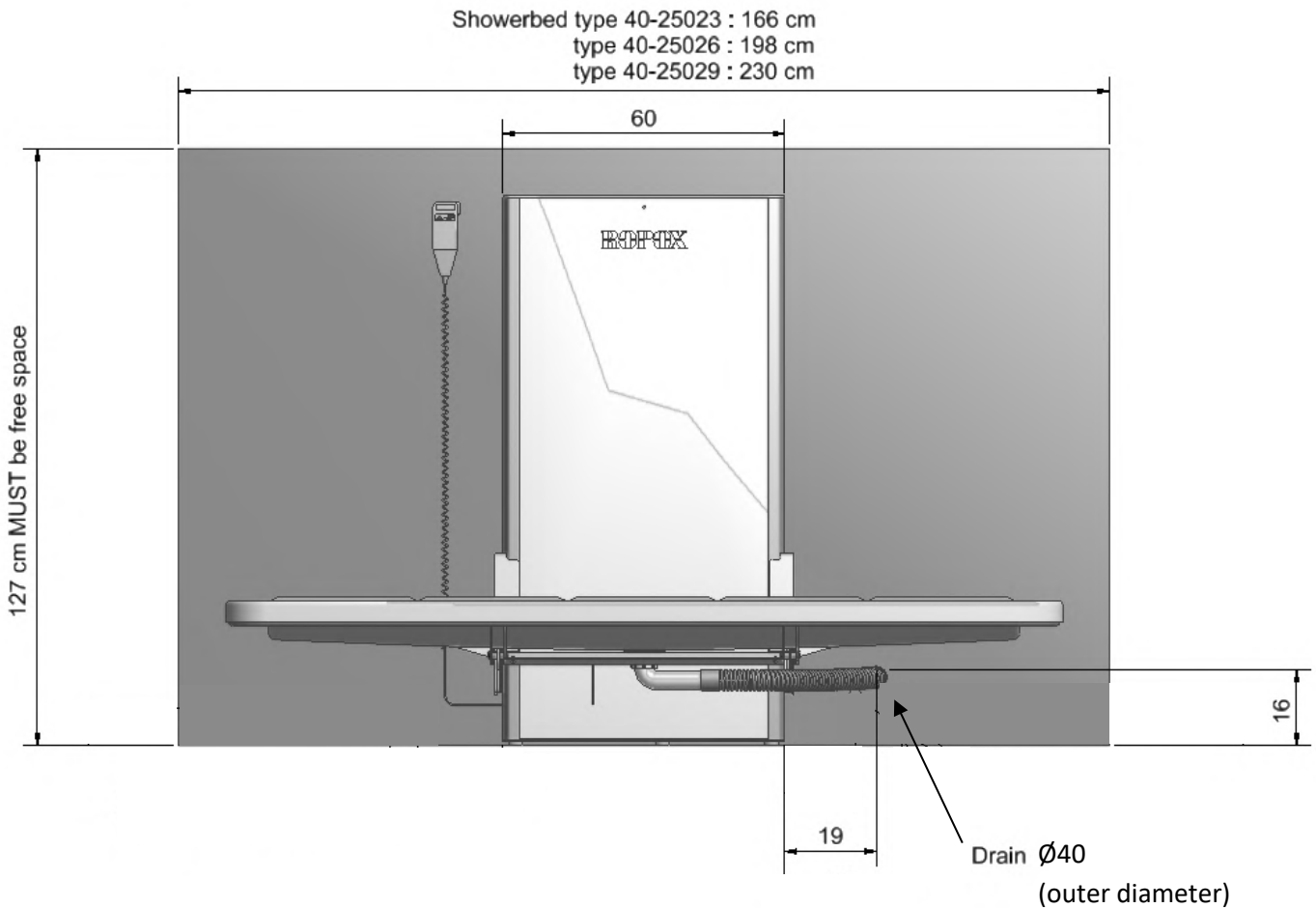
To ensure optimum utilization of the shower bed features and avoid accidents, it is important to observe some basics safety procedures

- NEVER leave a person on the shower bed unattended - not even for a very short period.
- The shower bed must be operated only by adults.
- Pay particular attention to other people in the room, when using the shower bed. Make sure that no children are playing under or with the shower bed.
- Keep the hand control out of the reach of children. Make sure that they cannot operate the shower bed unattended. A bracket for wall mounting is included with delivery.
- Make sure that there is free space above and below the shower bed to allow height adjustment. The shower bed is upfoldable, but please be aware of obstacles above, below and around the shower bed to prevent risk of trapping.
- If the control switch has been damaged or stopped working, it has to be replaced immediately. The up and down buttons are “push and hold”. The motor stops when the button is being released. This is a very important safety element.
- If two shower beds are mounted next to each other, we recommend to mount a side cover between, to avoid the risk of trapping.
- Constantly be aware of objects under the shower bed.

Mounting Instructions

Important info before mounting

Make sure that you allow free space on all sides of the unit as shown below.



Placement of the Main 230 V socket, the hot and cold Water and the Drain

The drain must be placed in the free area beside the lifting unit. The placement on the picture above is a suggestion of optimal position.

Make sure that the Main 230 V socket is placed according to the national requirements for such installations.

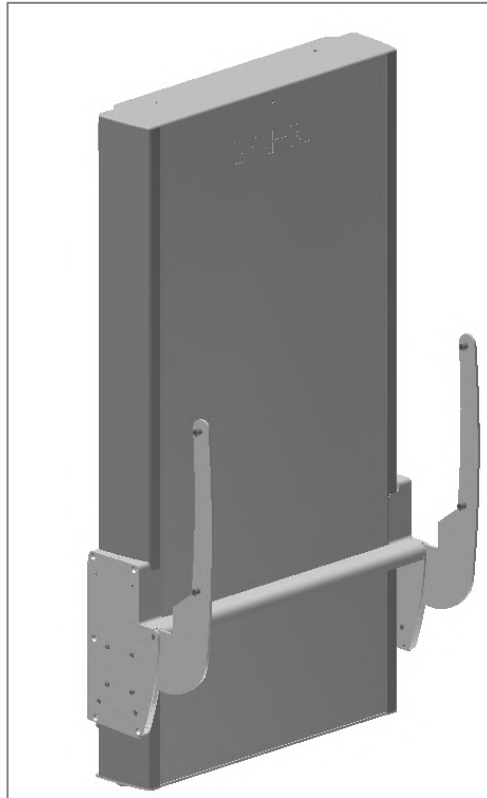
The main power cable (230V) has a total length of approx. 320 cm of which 250 cm is outside the lifting unit. The cable can be pulled out in either left or right side. The outlet for main power cannot be placed behind the lifting unit.

Hot and cold water shall be placed so as not to not come in conflict with the area of height adjustment.

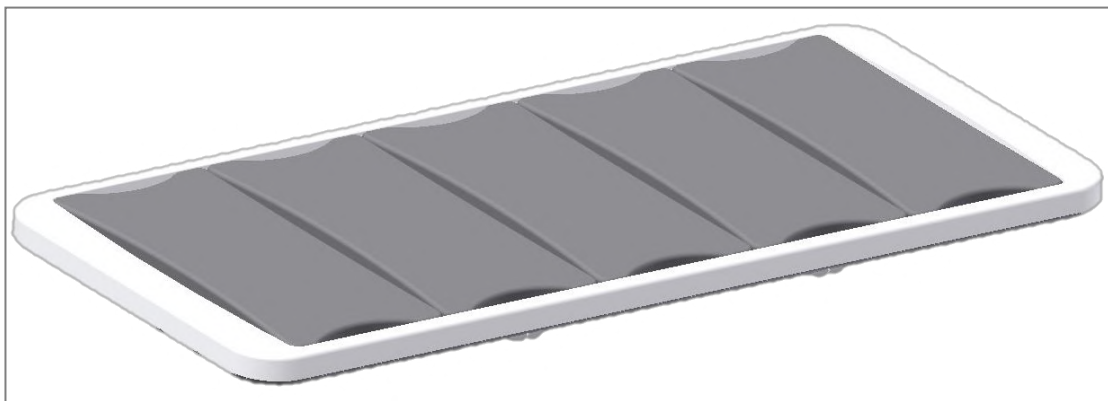
Mounting Instructions

Receiving the Shower & Changing Bed:

The Ropox Shower & Changing Bed will come in two packages. One for the “Lifting unit” and one for the “Shower tray unit”.



Lifting unit



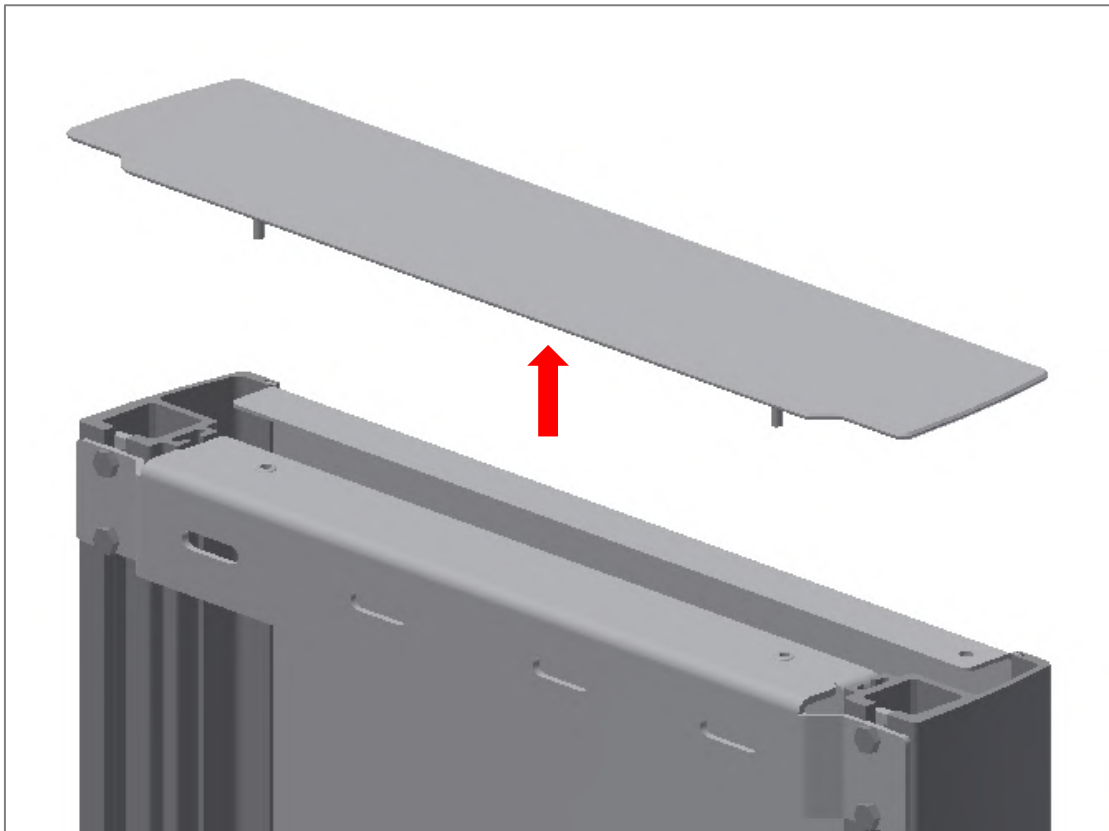
Shower tray

It is important to follow the mounting instructions to assemble the unit in the right way and to obtain a safe product.

Mounting Instructions

1. Prepare the mounting / dismount the top cover plate

Pull up the cover plate on the top of the lifting unit to get access to the nut, which holds the front plate. Loosen this nut.

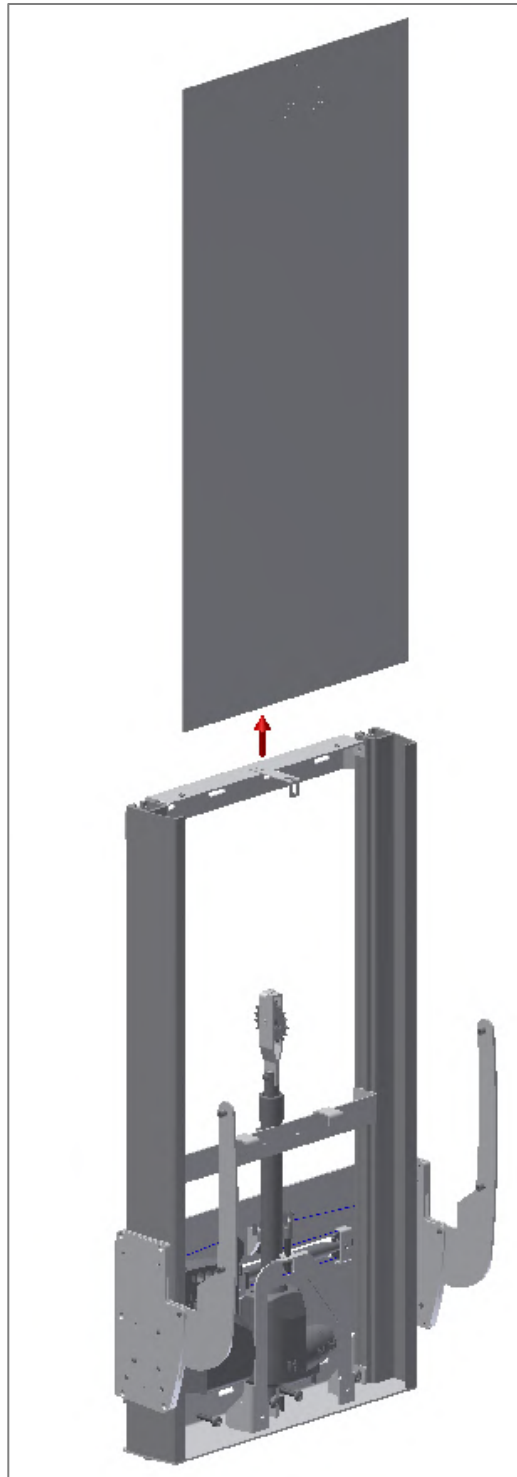


Mounting Instructions

2. Prepare the mounting / dismount the front plate

Slide the front plate out of the Lifting unit to get access to the wall mounting holes in the unit.

!! Be aware not to bend or scratch the front plate in the process !!



Mounting Instructions

3. Mounting to the wall

Attach the frame securely to the wall by using adequate bolts and rawlplugs suitable for the type of wall construction / material on site. The Shower bed is being supplied with a set (7 pcs) of screws and rawlplugs, which is ONLY used to mount the unit in a concrete wall. If the unit must be mounted on another kind of wall, other kinds of plugs and screws must be used. Shower bed is tested according to a load of up to 220 kg. applied to the shower bed.

If you have other objects mounted right next to this shower bed, you have to consider the risk of trapping, and therefore consider a safe distance to the other objects.

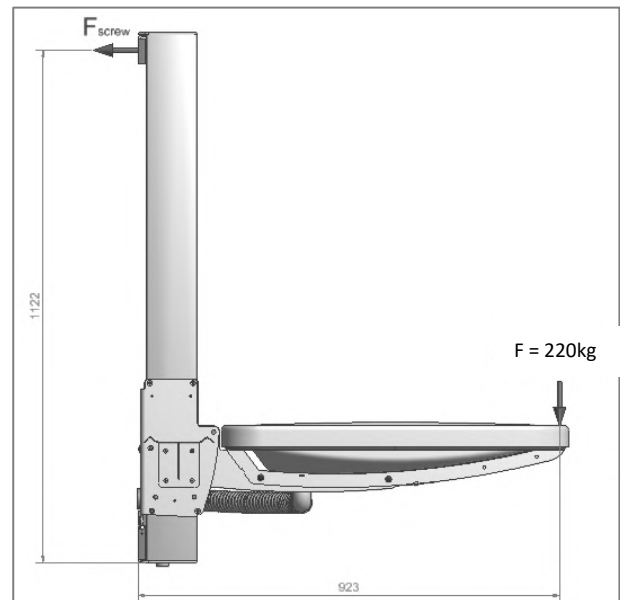
The attachment holes can be marked up on the wall, four possibilities in the top, and four in the bottom of the frame. Place the frame against the wall and make sure it is horizontal. The frame is standing on two adjustable feet. The holes in the frame are all \varnothing 10 mm. Remove the frame and drill the holes.

Make sure that no dust or other obstacles are interfering with the rollers, chain, sprocket or gas springs. This can cause malfunction and damage the system

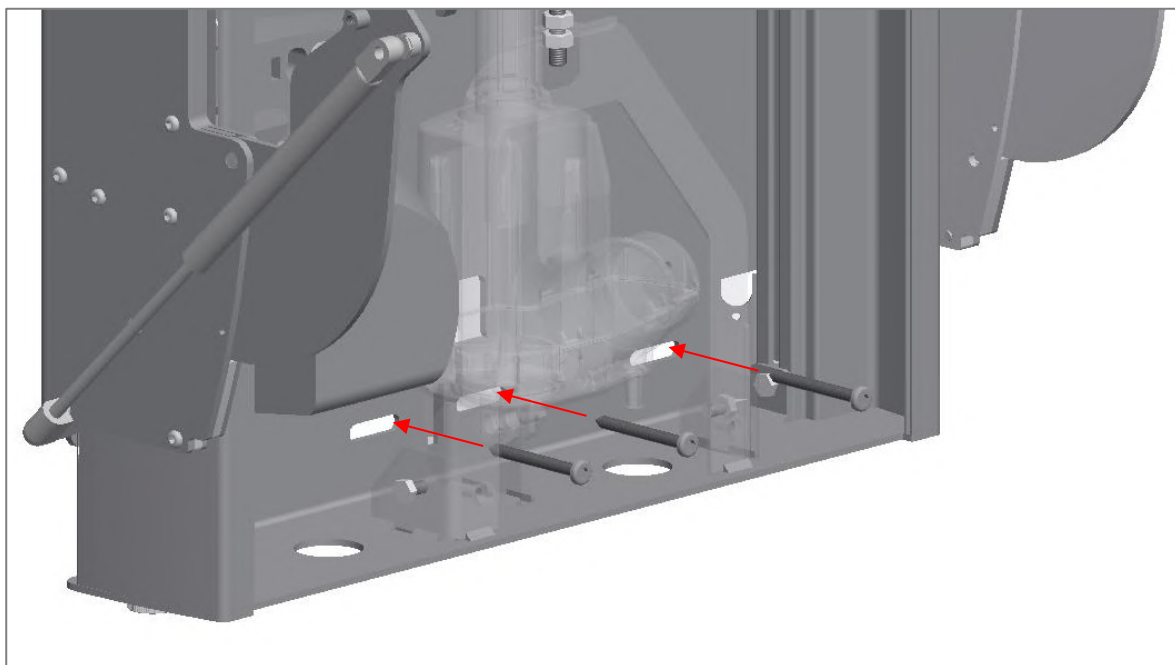
Force for each of the four screws in top of the unit:

$$F_{\text{screw}} = (220 \text{ kg} * 923) / (1122 * 4 \text{ screws})$$

$$F_{\text{screw}} = 45 \text{ kg for each screw}$$



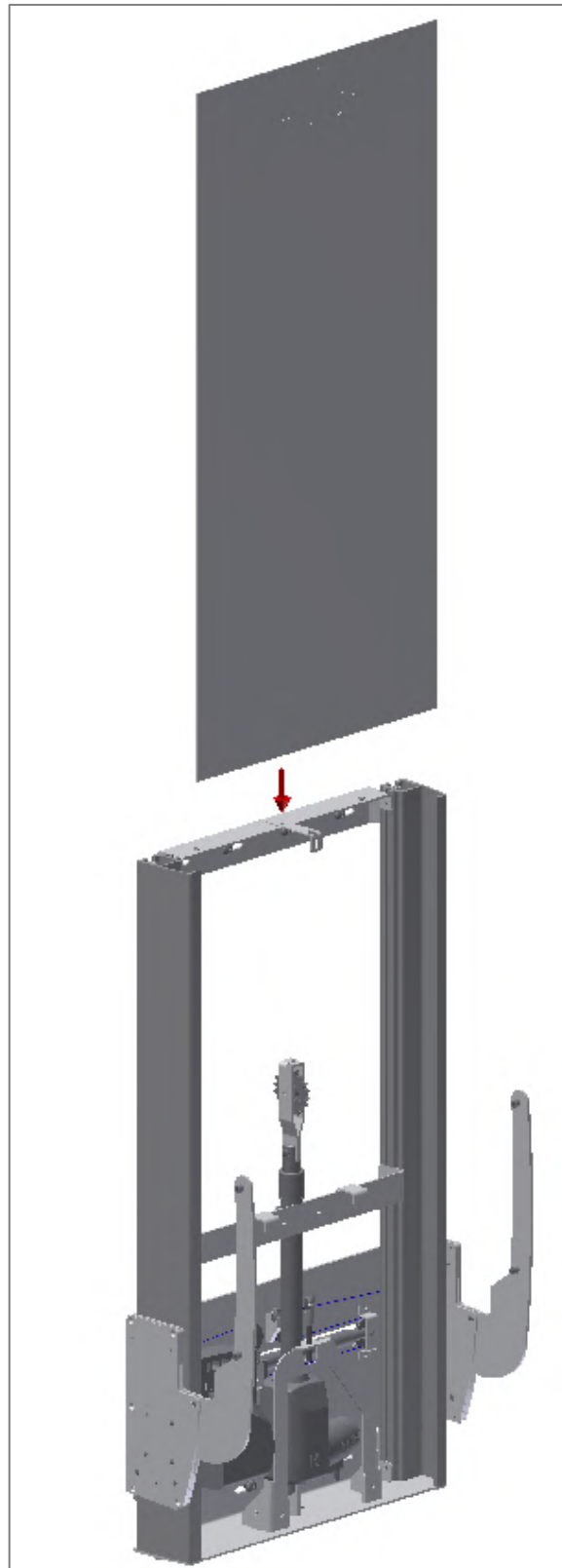
Mounting Instructions



Mounting Instructions

4. Remount the front plate

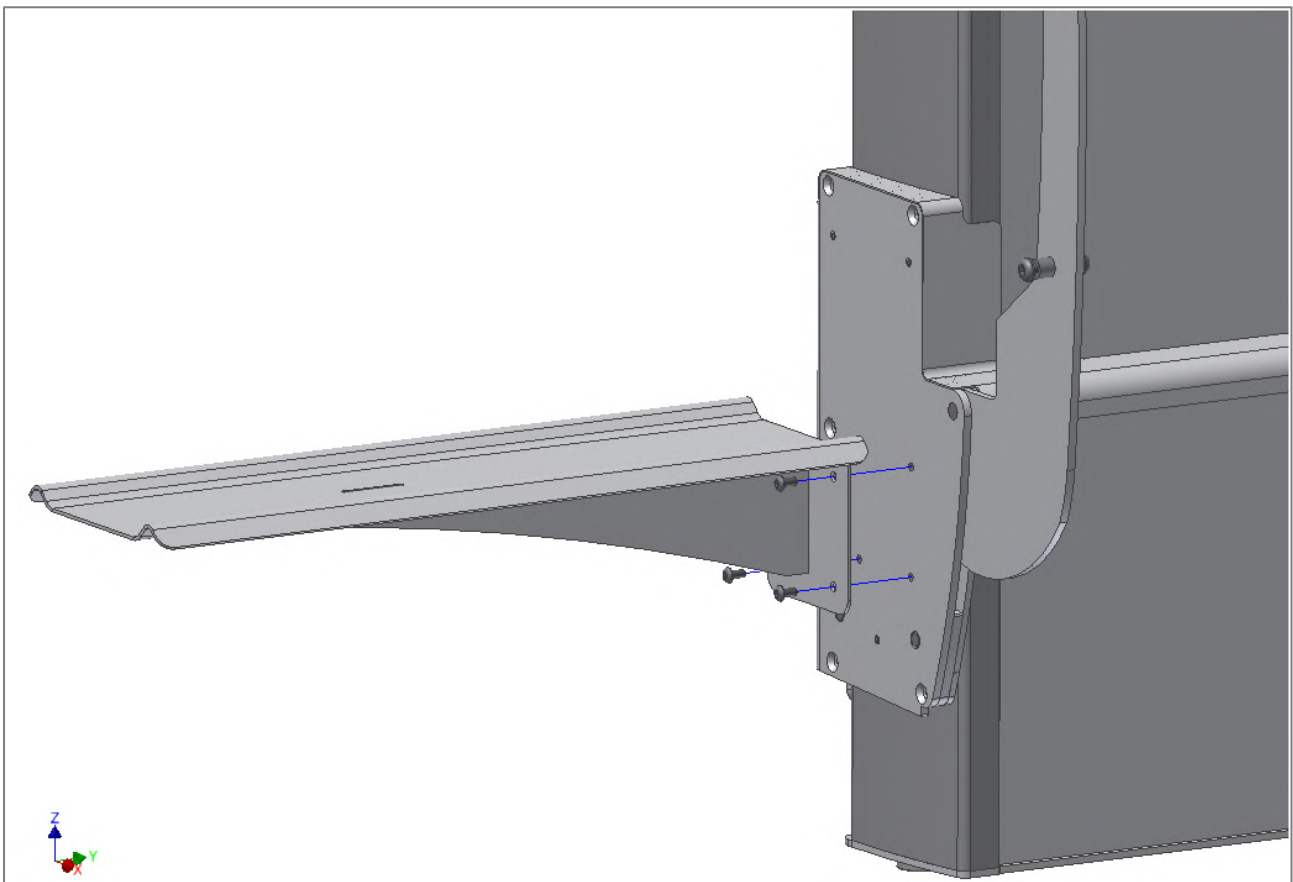
Slide the front plate back into the Lifting unit and fasten it with the nut.



Mounting Instructions

5. Mount the shelves on the Lifting unit.

Use 3 pcs. M6x6 screws to mount the shelves on both sides of the lifting unit.



Mounting Instructions

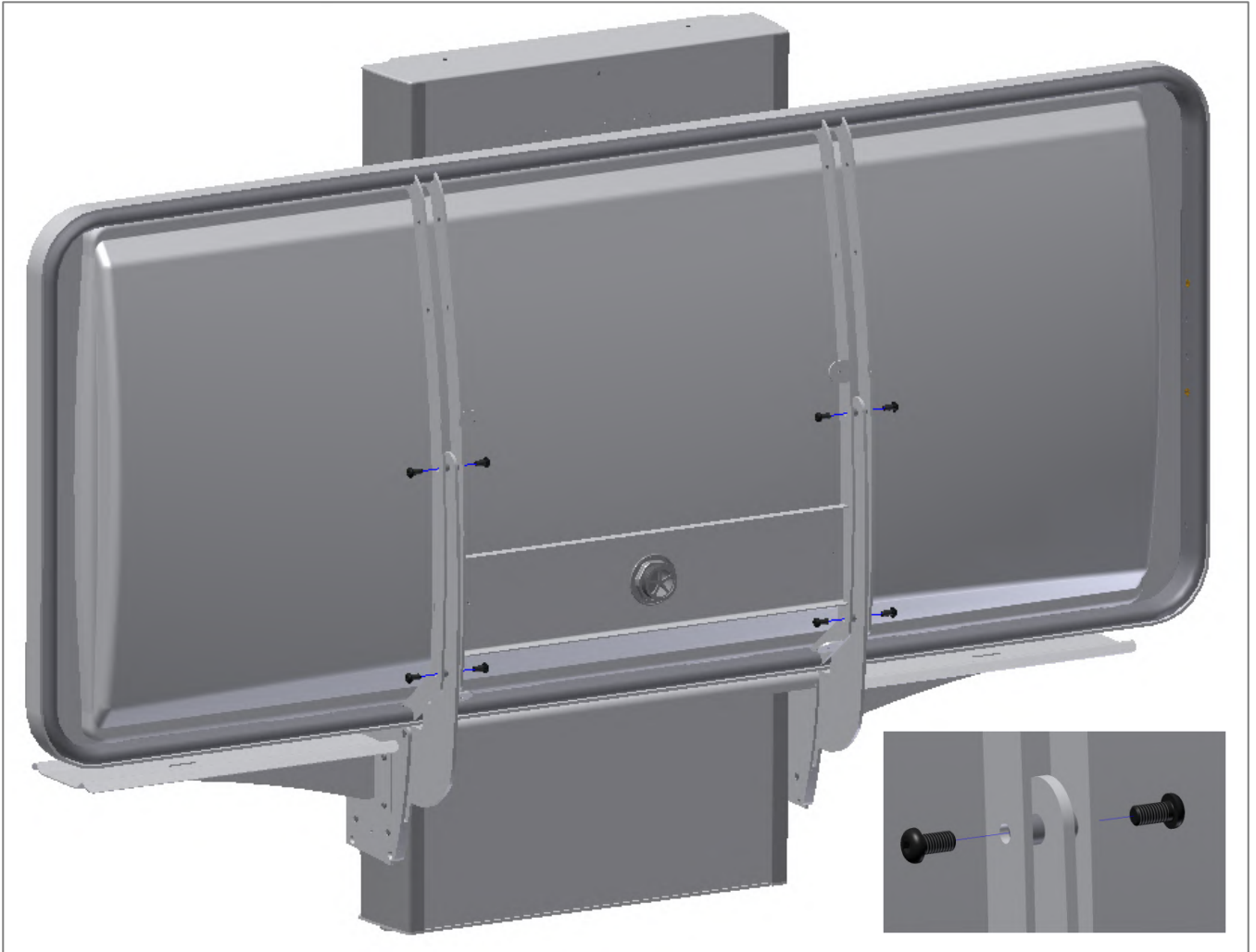
6. Mount the Shower tray on the Lifting unit.

Slide the Shower tray in between the Lifting unit and the support arms on the Lifting unit.



Mounting Instructions

Fasten the Shower tray to the Lifting unit with 8 pcs. M8x12 through the bushings in the support arms.

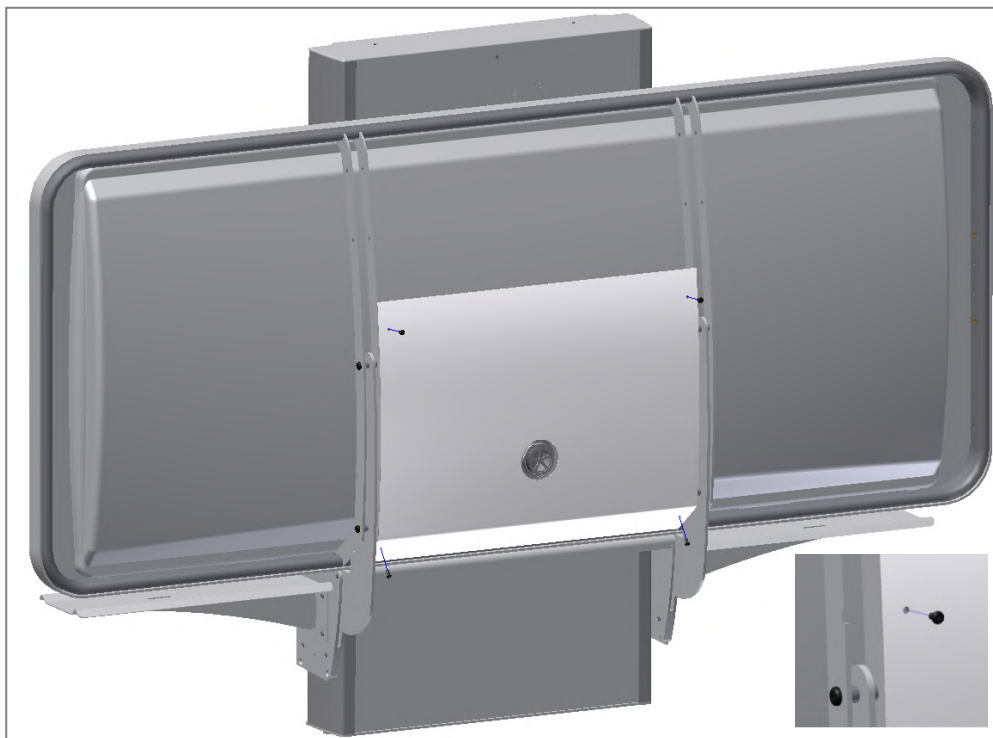
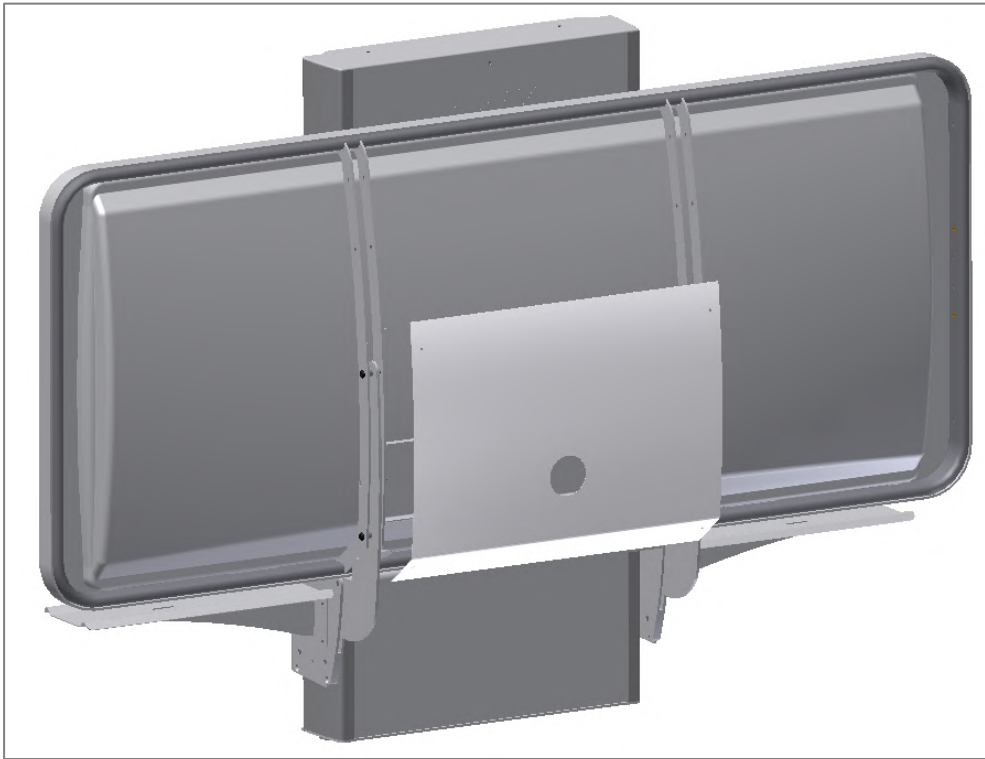


Mounting Instructions

7. Mount the cover plate on Shower tray

Place the cover plate between the two support arms underneath the Shower tray.

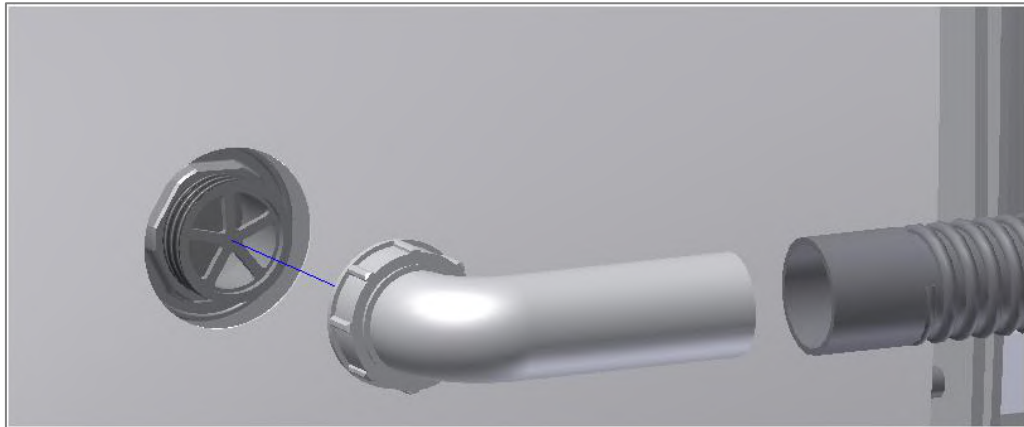
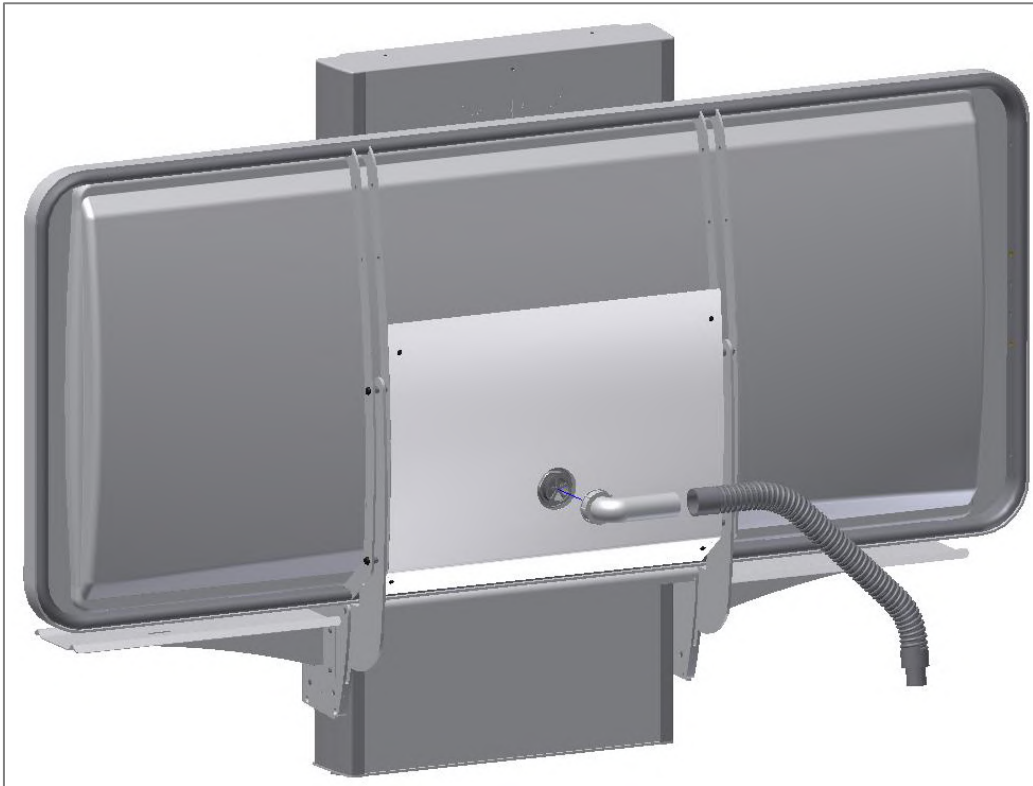
Fasten it with 4 pcs M5x8



Mounting Instructions

8. Mount the Drain and Flexible hose on the Shower tray

Screw the plastic nut on the scuttle and tighten it firmly. Connect the flexible hose to the drain tube and connect it to the drain in the wall or on the floor.

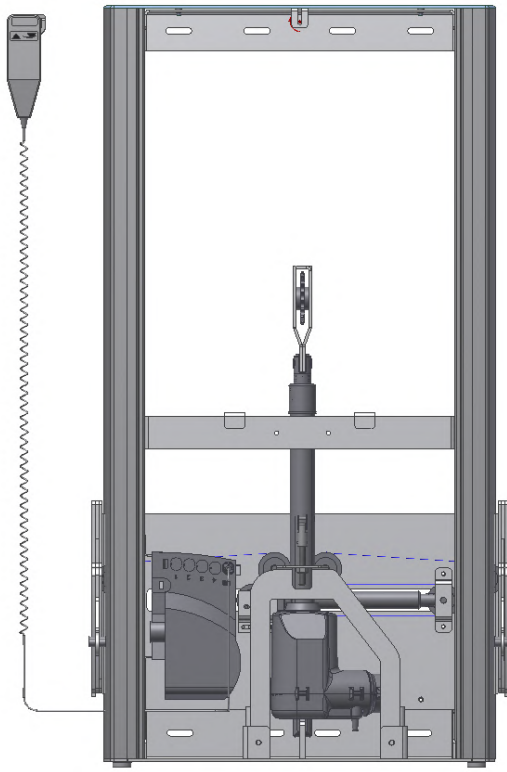


- After mounting, make sure that the chain is in correct position on the sprocket, also check that cable plugs is connected correctly to the control box.
- Check that no cables can be trapped or squeezed
- Connect the main power, and the shower bed is ready to be used.

Electrical components

Wire diagram

The shower bed is delivered with the control box already mounted on the frame. The diagram shows how the cables which are connected to the control box.

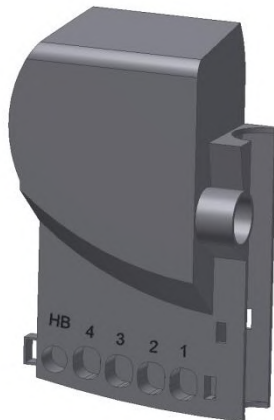
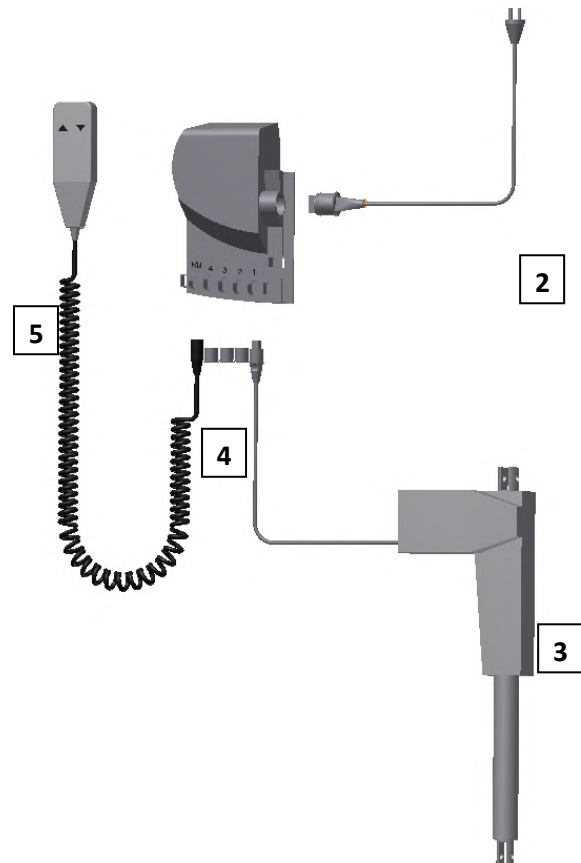


All the plugs are water tight, and therefore they can be a little tricky to connect / disconnect. Make sure that the plugs are positioned correctly before they are pushed into the sockets at the control box. The plugs must be pushed into the sockets until the “O-ring” is no longer visible.

Motor, control box and control switch apply to IP66. This means that they are dust tight and protected against heavy seas, or powerful jets of water.

The electronic system is designed for periodical use only, this means a max. duty cycle of 10%; 2min on /18min off.

1. Control box
2. Mains cable 230V
3. Motor, connects to socket 1
4. End plugs, connects to socket 2, 3 & 4
5. Hand control, connects to HB socket

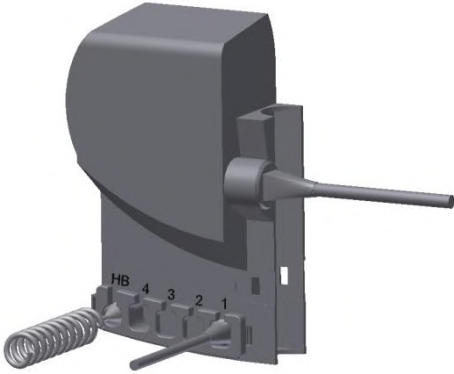


Electrical components

Connecting cables

The shower bed is delivered with the control box already mounted on the frame.

Motor cable connects to socket 1. Socket 2, 3 & 4 are not in use and are blocked.



Control switch connects to "HB".

When all cables have been connected, use the safe locking bracket. Pushed in until you hear a "click".

Mains cable connects to the socket at the side of the box.

Disconnecting cables

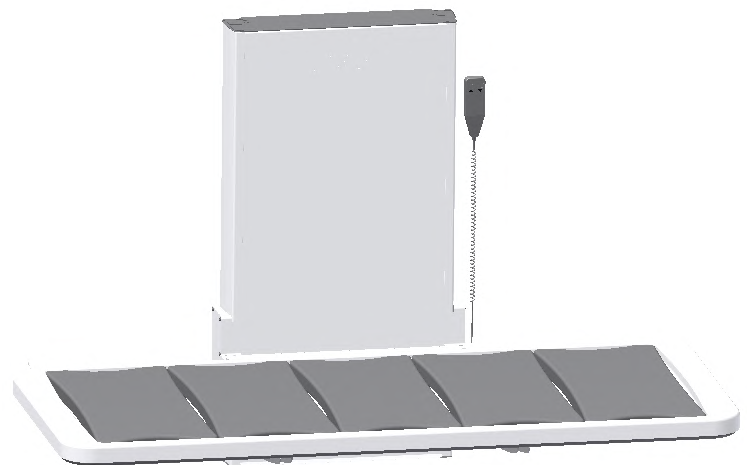
Mains cable can be pulled out (no safe locking bracket).

Before the other cables can be disconnected, the safe locking bracket needs to be released / removed (*use a screwdriver to remove*). Locking clips at each end of the safe locking bracket have to be released before the bracket can be removed, and the cables can be disconnected.

To obtain the full IP66 value, it is very important that all the plugs have been pressed firmly into the sockets and the safe locking bracket is mounted.

Placement of the hand control

Bracket for hand control can be placed at the wall as shown. To be mounted with the two screws which are delivered with the bracket.

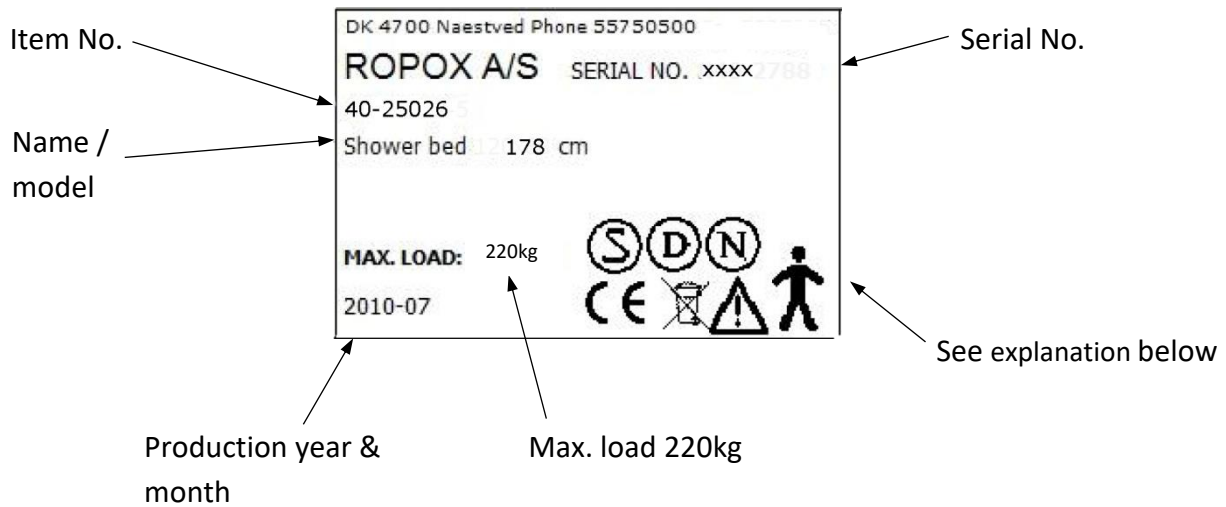


Hand control should be placed out of the reach of children

Labelling

Label

Each shower bed has its own label as shown. The label contains information which is very important to specify when contacting your supplier. It also shows main power supply.



Symbol view



User Manual must be read before use



Waste must be sorted. Most parts for re-use.



Type B equipment. As for EN 60601-1



Class 2 equipment. Without earth connection.



CE-marking. This product complies with the demands for general safety and functionality in the relevant EU directives and standards.

EMC information



The shower bed complies with the demands for electromagnetic compatibility (EMC), if installation and daily use is according to instructions in this Manual.

In seldom situations the Shower bed might be affected by electronic signals from ex. Portable computers, cell phones etc.

Support

Fault finding

The bed does not move up or down by when operating using the hand control	Check if: Main power connected 230V. Motor is connected to control box Hand control is connected to control box Motor is overloaded
Hand control defect	Check if: The product works with another hand control
By pressing the up or down button, no movement is achieved, only clicking sounds is are heard from control box	Plugs are not connected correctly. Dismount all cables and re-connect.

Waste handling



Used equipment shall be disposed of according to the National law. We recommend to dismount the product to the greatest extent possible, in a way that most parts can be reused. Be aware that this product contains electronically components. Example of groups this product can be sorted in: metal, plastic, cables, electronics and parts for destruction.

Factors affecting the operation



Temperature: 0°C to 40°C

Relative humidity: 5% to 85% non-condensing

Factors affecting storage and transport



Spareparts

Spareparts

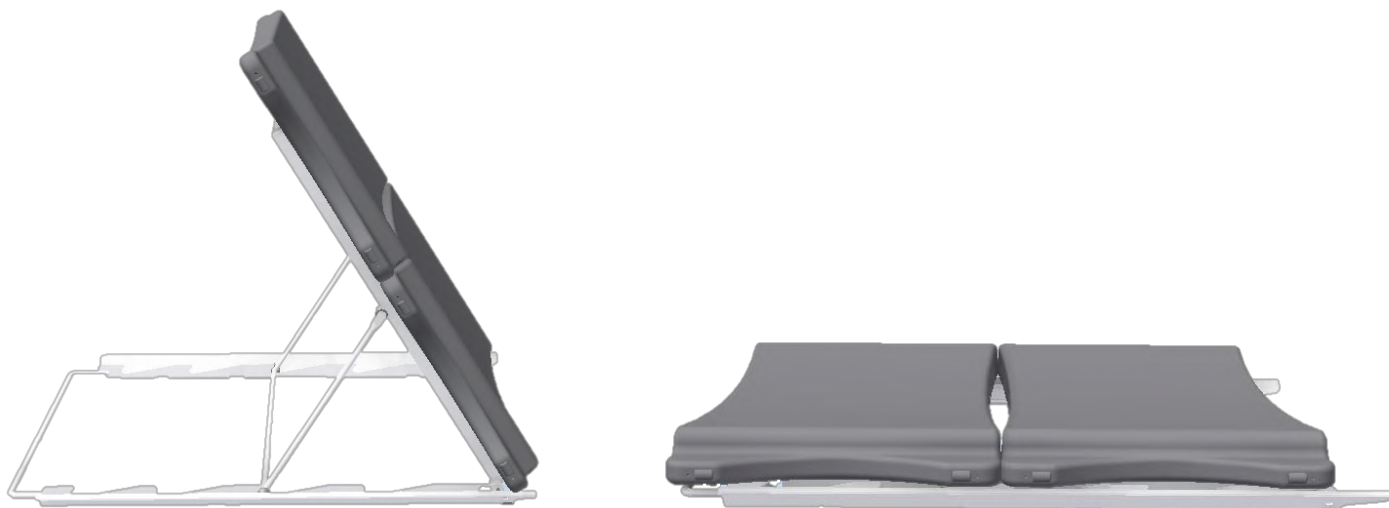
97000431	Actuator/motor Type : LA34.5 Stroke 350 mm	
97000434	Control Box Type : CB6096-2	
97001655	Hand Control Type : HB310V0XB076-2102E1E000	
40*40090-180	Slat	
40*40090-315	Flexible plumbing kit	

Accessories

Back support

The back support fits all shower bed lengths and uses two slats. No tools are required for mounting in the shower tray, as the back support has been designed to fit directly into the tray. The back support has three positions: 20°, 40° and 60°.

Item No. 40-25031



Recommendations for use

- Make sure that the unit has been placed correctly in the shower tray so that the two side rails of the bottom frame rest properly on the sides of the tray.
- See that the horizontal supporting rod has snapped into place before leaning on the back support.
- When folding down the back support after use, do not let go of the support, as it will fall down. Instead, carefully lower the back support to horizontal position.
- When folding down the back support, make sure that there are no fingers between the frame and the support in order to prevent fingers from getting caught.
- Note that the slats may become slippery when in contact with water and soap.

Accessories

Bed guard

Bed guard is available as an option. The brackets will be mounted underneath the frame with the screws supplied.

Length of Shower bed	Shower bed	Bed guard foldable	Bed end guard Fixed
146cm	40-25023 / 40-25073	40-25034	40-25038
178cm	40-25026 / 40-25076	40-25036	40-25038
210cm	40-25029 / 40-25079	40-25035	40-25038

Neck support

Neck Support is an ergonomically correct crafted neck support and it is available as an option. The Neck Support lifts and supports the user's neck, and gives a more pleasant experience. It can also be used with the Back Support.

The Neck Support is molded in one piece, of a bacterial and fungal retardant material, and is therefore extremely easy to maintain and easy to clean. The pad is furthermore waterproof.

Item No. 40-25090



Recommendations for use

Less suitable for people with uncontrolled movements.

Maintenance

The Shower & Changing Bed is maintenance free. For safety reasons it is recommendable to check all mounting screws and moving parts to be sure all is tightened ok, and that all attachment to the wall is in correct and safe condition.

Cleaning

Do not use a high pressure cleaner to clean this product.

Lime deposits are removed with household cleaning agent for bathrooms.

Always clean the shower tray after use to prevent dirt from sticking to the surfaces.

important:

Do not use abrasive powders or other abrasives as they will scratch the surfaces. Do not use pointy or sharp cleaning remedies.

Cleaning of slats

Lime deposits on slats are removed with household cleaning agent for bathroom.

Chemical resistance

Cleaning agents containing the following chemicals must not be used in cleaning

Acetone
Ammonium carbonate
Ethyl acetate
Formic acid
Hydrochlorid acid
Isopropanol
Methyl acetate
Nitric acid
Phosphoric acid

CE- erklæring

EU – Declaration of Conformity



I hereby declare under sole responsibility that the following products:

40-25023 and 40-25073 Ropox Shower & Changing Bed, 146 cm
40-25026 and 40-25076 Ropox Shower & Changing Bed, 178 cm
40-25029 and 40-25079 Ropox Shower & Changing Bed, 210 cm

are all under Classification Class I and in conformity with the following directives and standards:

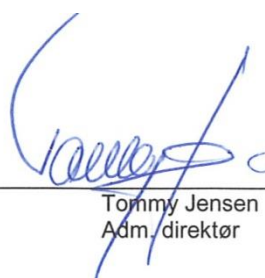
DIRECTIVES

- The Council Directive No.2007/47/EEC, concerning Medical Devices amended through Directive No.98/79/EC
- 2006/95/EEC Directive for Low-voltage, amended through Directive No.93/68/EEC
- 2004/108/EEC, EMC-Directive, amended through Directives No.92/31/EEC and 93/68/EEC

STANDARDS

DS/EN	14971: 2012	DS/EN	60601-1+CORR: 2006
DS/EN	12182: 2012	DS/EN	60601-1-2: 2007
DS/EN ISO	9999: 2009		

Dato: 05-09-2014



Tommy Jensen
Adm. direktør

Complaints

See General Terms of Sale and Delivery on www.ropox.com

Queensland Distributor:

EVOCARE AUSTRALIA PTY LIMITED

A.B.N. 98 078 566 604

Trading as **EVOCARE** and **L&M EQUIPMENT**

P.O. Box 1144, Stafford Qld. 4053

Ph: 07 3355 8000 Fax: 07 3355 5043

Website: <http://www.evocare.com.au>

Email: sales@evocare.com.au

workshop@evocare.com.au

warehouse@evocare.com.au

accounts@evocare.com.au



Ropox A/S

Ringstedgade 221

DK – 4700 Naestved

Tel.: +45 55 75 05 00 Fax.: +45 55 78 05 50

E-mail: info@ropox.dk

www.ropox.com