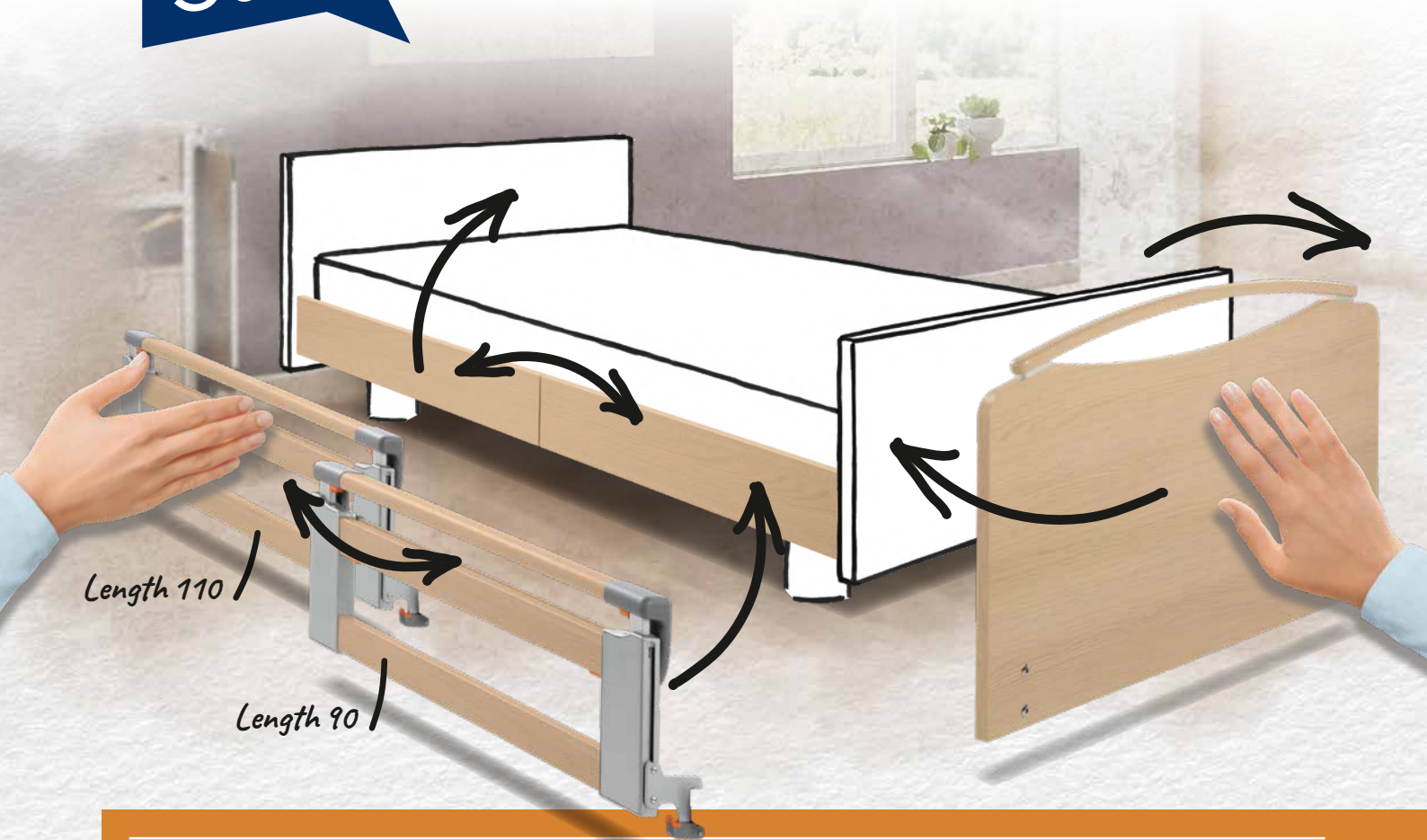


ESSENTIALLY BETTER

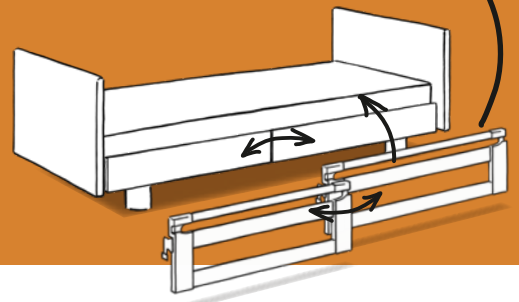
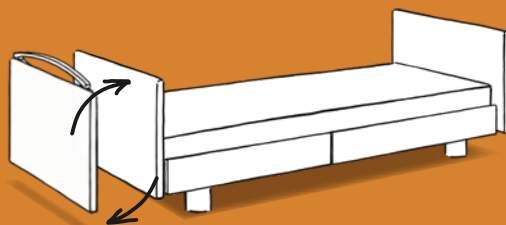
**Vario
Safe**

The best system for adjustable care beds **with standard-compliant safety**



Modular design and **adjustment without tools**

Safety side corresponds to EN 60601-2-52





The best system for adjustable care beds with standard-compliant safety

The new Vario Safe system enhances flexibility and well-being, and lightens the workload in the daily care routine. Vario Safe is available for the Libra care bed and for selected models from the Elvido range.

With its Vario Safe, Stieglmeyer is perfecting the trend towards adaptable care beds: the split safety side elements, the headboard, footboard and also the side panels can be attached and removed without tools. This is achieved with the use of easy-to-operate locking devices that snap securely into place and cannot

be accidentally opened by the resident. The headboard, footboard and panels can be supplied on request with attractive fabric or synthetic leather upholstery.

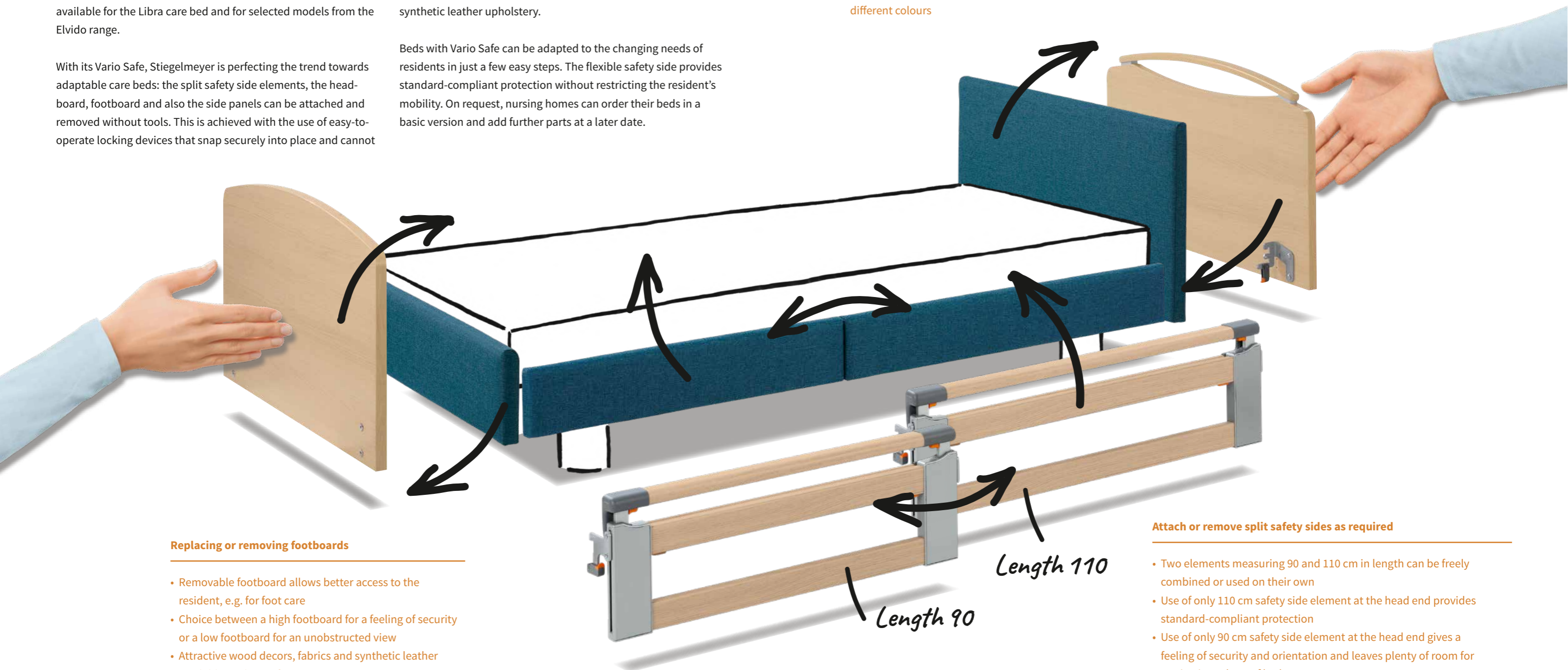
Beds with Vario Safe can be adapted to the changing needs of residents in just a few easy steps. The flexible safety side provides standard-compliant protection without restricting the resident's mobility. On request, nursing homes can order their beds in a basic version and add further parts at a later date.

Modular design and adjustment without tools



Replace headboards in seconds when required

- Homelike design variants, with optional handle bars
- Choice of attractive wood decors, fabrics and synthetic leather
- Headboard, footboard and side panel design can feature different colours



Replacing or removing footboards

- Removable footboard allows better access to the resident, e.g. for foot care
- Choice between a high footboard for a feeling of security or a low footboard for an unobstructed view
- Attractive wood decors, fabrics and synthetic leather available to choose from

Attach or remove split safety sides as required

- Two elements measuring 90 and 110 cm in length can be freely combined or used on their own
- Use of only 110 cm safety side element at the head end provides standard-compliant protection
- Use of only 90 cm safety side element at the head end gives a feeling of security and orientation and leaves plenty of room for getting in and out of bed

**! Freely combinable safety sides:
• 110/90 or 90/110**

“Cost-effective due to modular expandability”

“By using beds with Vario Safe, individual modules can be added, replaced or stored as required. This means I always have the bed I need right away.”

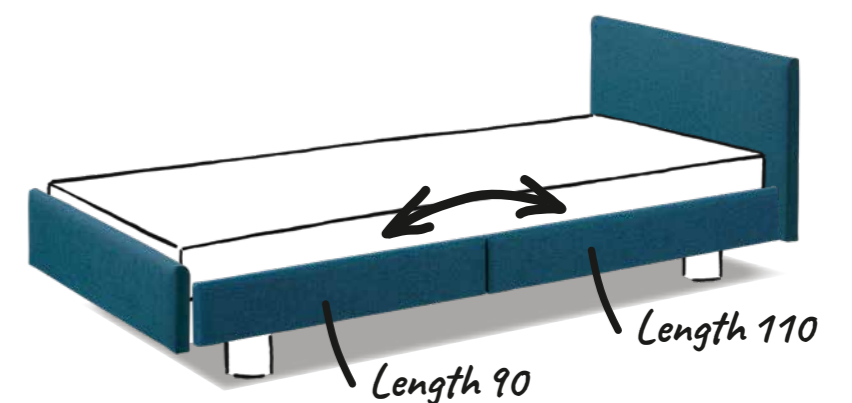
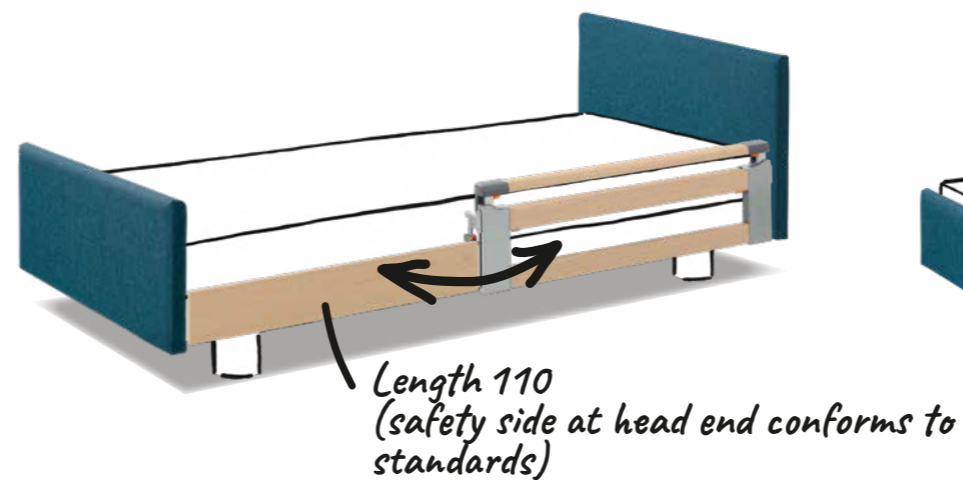
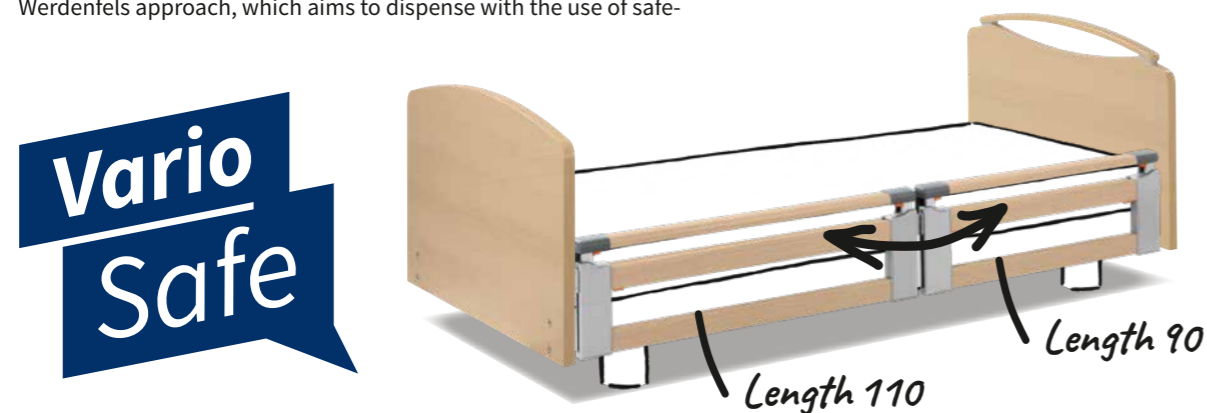
Arno B., nursing home manager



The requirements that care beds are expected to meet in a nursing home can change at short notice. If there is change of resident or the occupant’s state of health varies, tailored solutions are called for when considering safety sides. With Vario Safe, nursing homes can satisfy every need.

ty sides entirely. Our Vario Safe beds make this possible with their optional homelike panels. Should the use of safety sides still be required in individual cases, it takes next to no time to fetch these from the store and fit them. This opens up even more cost-saving options for bed procurement for the nursing home.

More and more nursing homes are consistently following the Werdenfels approach, which aims to dispense with the use of safe-



“As cosy as you wish”

“Thanks to Vario Safe, my care bed matches the furnishings and looks very cosy. Even if my taste changes.”

Erika W., resident



The care bed is an important place for residents to relax and spend time on their own reading or watching television. Hardly any other piece of furniture embodies your own home to that extent. It is therefore important that the bed looks cosy and suits residents’ personal preferences.

Our Vario Safe beds offer numerous design options with their attractive shapes and decors and the fine fabrics and synthetic leathers. Modern technology is largely concealed. In addition, the appearance of the bed can be fundamentally changed by replacing individual elements of the bed. This allows beds to be easily adapted to the user’s taste or the colour scheme of the room.

“Just enough protection – but not too much”

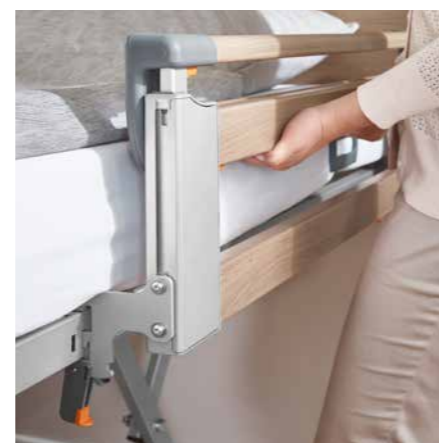
“Many people in care only need a safety side temporarily. I can quickly adapt beds with Vario Safe to suit individual safety requirements.”

Stefan S., geriatric carer



The more freedom of movement that people in need of care can enjoy, the greater their sense of well-being. The split safety side in conjunction with the Vario Safe system offers ideal options in this respect. Whether the resident needs full protection, unimpeded mobility or an orientation aid - the safety side elements, in different lengths, are quick to remove, replace or raise in two stages.

Removing the elements allows them to be cleaned more thoroughly - as can the bed frame. This contributes to reliable hygiene in care facilities.



It takes virtually no effort to remove the safety side elements. ▶

Vario Safe – easy to fit and remove without tools

- ▼ All Vario Safe elements are inserted into the bed frame and snapped into place with easy-to-operate locking devices.
- ▼ Simply pull the closure upwards.
- ▼ The lock engages securely and the element is fastened in place.
- ▼ To release the fastening again, pull the orange safety catch towards you and press down on the lock.



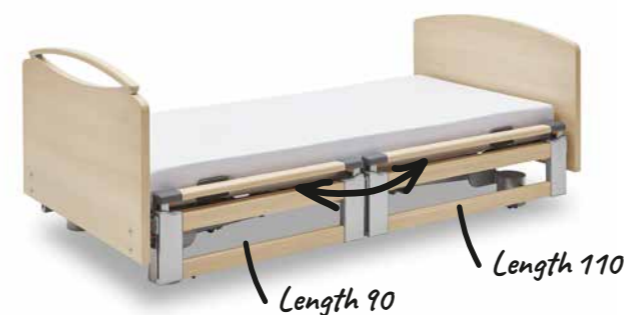


◀ If an object gets in the way when the bed is lowered, the split safety side gives way flexibly.

▼ To lower the safety side, it is simply unlocked at the press of a button.



Vario Safe ! Freely combinable safety sides: 110/90 or 90/110



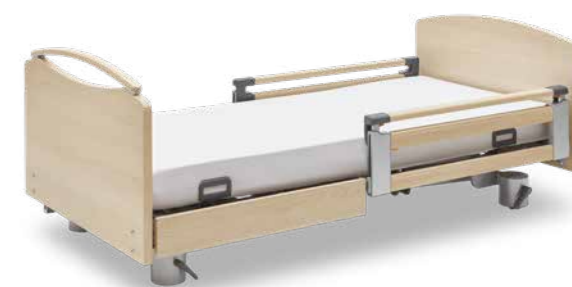
▲ The elements, available in different lengths, can be replaced at any time.



▲ If the bed extension is used, two 110 cm elements can be used.



▲ The 110 cm element also provides standard protection when used at the head end only.



▲ The 90 cm element provides support. All elements can be raised in two stages.



▲ The diagonal position enhances the feeling of security and orientation.



▲ If there is a high risk of falling, fully raising the elements ensures maximum protection.

Split safety sides

Individual safety in every function

The Vario Safe system is available on the Libra care bed as well as on the Elvido for the split safety side. This allows very precise settings that are closely geared to the changing needs of the resident.

The individual elements of the split safety side can be raised in 2 stages. The first stage offers the occupant support and orientation, and the second stage provides reliable protection. A diagonal position is also available to provide a comforting feeling of security. If the resident is able to get out of bed at any time, it is recommended that the safety side elements are only raised at the head end. In this case, the elements at the foot end can simply be removed and replaced with cosy panels. The streamlined wood-metal look of the safety side ensures excellent hygiene properties.

The split safety side can be raised in one simple movement and snaps into place securely. To lower the elements again, press the release buttons under the bars.

ESSENTIALLY BETTER

Standard-compliant protection

- With a mattress base length of 200 cm, the split safety side on both sides consists of a 110 cm and a 90 cm long element.
- These elements can be used interchangeably at the head and foot ends.
- If the 110 cm element is mounted at the head end, it covers more than 50% of the mattress base surface and therefore also provides a standard-compliant safety side on its own.
- The 90 cm element alone does not provide standard-compliant protection, but offers support and ample space for getting in and out of bed.
- If the bed extension is used, two 110 cm elements can be fitted.



Homelike elegance for more vitality

Colour and beauty increase well-being – this is especially true for home furnishings. Our beds with the Vario Safe system offer you numerous **design options** to suit every taste.

Head and foot sections are available in attractive **wood decors** or firmly **upholstered with** high-quality fabrics or synthetic leather. Wood and fabric can also be combined to create the look you desire. If you wish, every care bed can become an individual designer piece – and can be quickly transformed by replacing individual elements if a new resident prefers a different look.



Headboards and footboards with Vario Safe



The in part vibrantly coloured fabrics also help nursing homes to implement **colour concepts** for people with dementia or cognitively impaired residents.

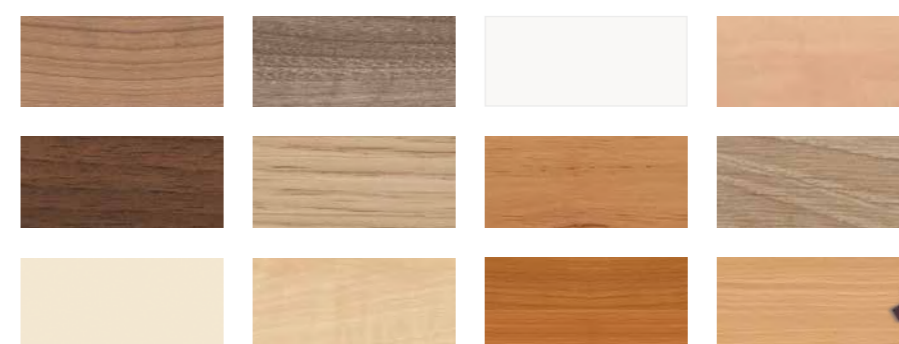
In addition to the colour, there is also a choice of different **forms** which the design can take. A variety of elegant headboards and footboards go with any style, from playful curves to streamlined simplicity. Footboards with handle bars also make it easier to move the bed, while very low footboards, such as our Nobla reha model, allow a clear view into the room or out the window.

The quickly **removable headboards and footboards** facilitate carers' work by enabling better access to the occupant to perform tasks such as foot care or hair care.



Please observe the manufacturer's instructions when cleaning the fabrics and synthetic leather

Decors with Vario Safe



Information about other fabrics and imitation leather is available on request.



ESSENTIALLY BETTER
Vario Safe – flexibility for everyday care

Everyone is talking about adaptable care beds – but with our Vario Safe system you get the best and most mature solution. Here, once again, the advantages at a glance:

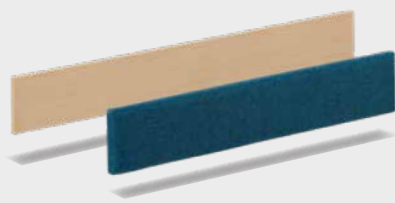
Headboards and footboards

Combine a wide range of attractive forms, wood decors and fabrics – which can be fitted in a matter of seconds.



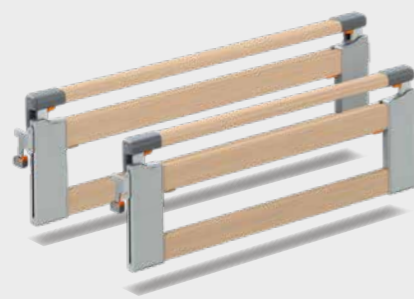
Panels

Instead of the individual safety side elements, attractive panels can be fitted in a wood or upholstered look.



Safety sides

The split safety side provides standard-compliant protection without restricting the resident's mobility.



The best system for adjustable beds
with standard-compliant safety





STIEGELMEYERGROUP

Hauptsitz / Headquarters

Deutschland / Germany
Stieglmeyer GmbH & Co. KG
Ackerstraße 42
32051 Herford
Phone +49 (0) 5221 185 - 0
Fax +49 (0) 5221 185 - 252
info@stieglmeyer.com
www.stieglmeyer.com

France
Stieglmeyer SAS
8 Allée des Chevreuils
69380 Lissieu
Phone +33 (0) 4 7238 - 5336
Fax +33 (0) 4 7238 - 5481
contact@stieglmeyer.fr
www.stieglmeyer.fr

South Africa
Stieglmeyer Africa (PTY) Ltd
The Estuaries · Century City
Cape Town, 7441
Phone +27 (0) 21 555 - 1415
Fax +27 (0) 21 555 - 0639
info.southafrica@stieglmeyer.com
www.stieglmeyer.co.za

Nederland / Netherlands
Stieglmeyer BV
Peppelenbos 7
6662 WB Elst
Phone +31 (0) 345 581 - 881
info@stieglmeyer.nl
www.stieglmeyer.nl

Suomi / Finland
Stieglmeyer Oy
Ahjokatu 4 A
15800 Lahti
Phone +358 (0) 3 7536 - 320
Fax +358 (0) 3 7536 - 330
stieglmeyer@stieglmeyer.fi
www.stieglmeyer.fi

Polska / Poland
Stieglmeyer Sp. z o.o.
86-212 Stolno
Grubno 63
Phone +48 56 6771 - 400
Fax +48 56 6771 - 410
info.stolno@stieglmeyer.pl
www.stieglmeyer.pl

EVOCARE AUSTRALIA PTY LIMITED

A.B.N. 98 078 566 604
Trading as **EVOCARE** and **L&M EQUIPMENT**
P.O. Box 1144, Stafford Qld. 4053
Ph: 07 3355 8000 Fax: 07 3355 5043
Website: <http://www.evocare.com.au>
Email: sales@evocare.com.au
workshop@evocare.com.au
warehouse@evocare.com.au
accounts@evocare.com.au



Finden Sie Ihren Ansprechpartner auf unserer Website:
Find your local partner on our website:
www.stieglmeyer.com/partner

stieglmeyer.com