

OWNER'S MANUAL



Aluminium Walkers—LM3206 & LM3208



Product Codes:

LM3206 Aluminium Walker, 6" Castor, curved fold up backrest, 53cm seat height, security bag, ball end brake handle, in-line brakes.

LM3208 Aluminium Walker, 8" Castor, curved fold up backrest, 56cm seat height, security bag, ball end brake handle, in-line brakes.

LM3206BM 6" Blue Metallic
LM3206BU 6" Burgundy Metallic
LM3206CM 6" Copper Metallic
LM3206PU 6" Purple Metallic
LM3206SM 6" Silver Metallic

LM3208BM 8" Blue Metallic
LM3208BU 8" Burgundy Metallic
LM3208CM 8" Copper Metallic
LM3208PU 8" Purple Metallic
LM3208SM 8" Silver Metallic

WE ARE HERE TO HELP YOU

To request product service and order replacement parts, please call:

Customer Service: 07 3355 8000

Spare Parts: 07 3355 8007

8.30 am to 5.00 pm Monday to Friday

Email: sales@[evocare.com.au](mailto:sales@evocare.com.au)

If the product does not function properly contact [Evocare](#) Australia.

When requesting service, please provide the following information:

1. Part Code and Description
2. Date of Purchase

Address: Evocare Australia Pty Limited
260 South Pine Road, Enoggera, Qld. 4051
P.O. Box 1144, Stafford, Qld. 4053

DESCRIPTION



Note: Maximum user weight for this product is 120kg

Evocare is a quality endorsed company and supplies equipment listed with the Therapeutic Goods Administration.
The ARTG number for the Walkers is 179500

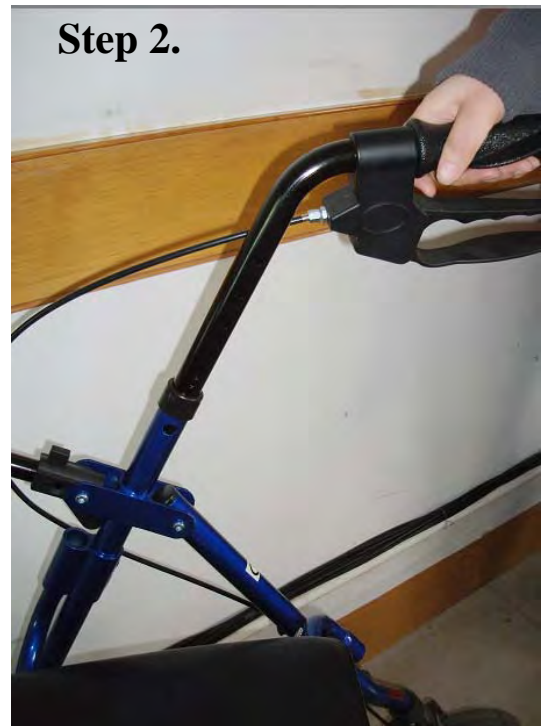
ASSEMBLY



ASSEMBLY CONT.

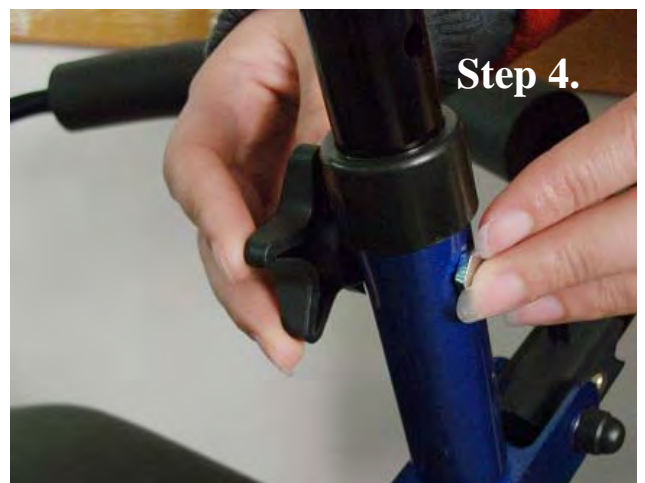
Step 1 : Remove all Plastic—Open Walker by spreading the wheels apart and lowering the seat. Remove Star Wheel nut and washers.

Step 2 : Insert handles into the tubes on the sides of the walker.



Step 3 : Align holes of the handle and the tube. Place Bolt through the hole at the desired handle height. Please ensure the Bolt head fits securely within the frame hole provided.

Step 4 : Place Washer on bolt end then tighten the Star Wheel nut on. To get required height: Stand in front of walker with arms by your side, the handgrips should be level with your wrist.



ASSEMBLY CONT.

Step 5.



Step 5: Place the padded backrest into the brackets on the frame at the rear of the seat. Press buttons and click into place.

Handgrip

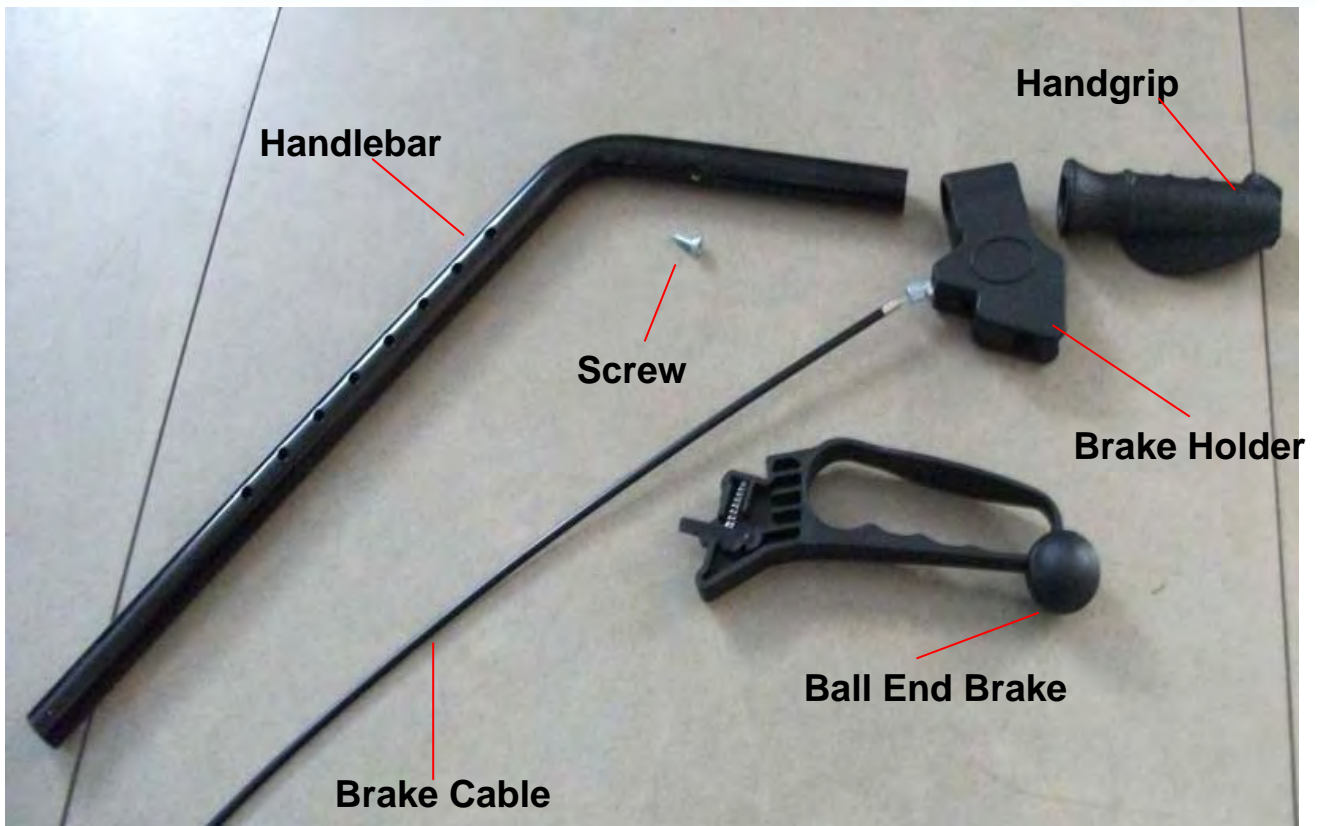


Brake

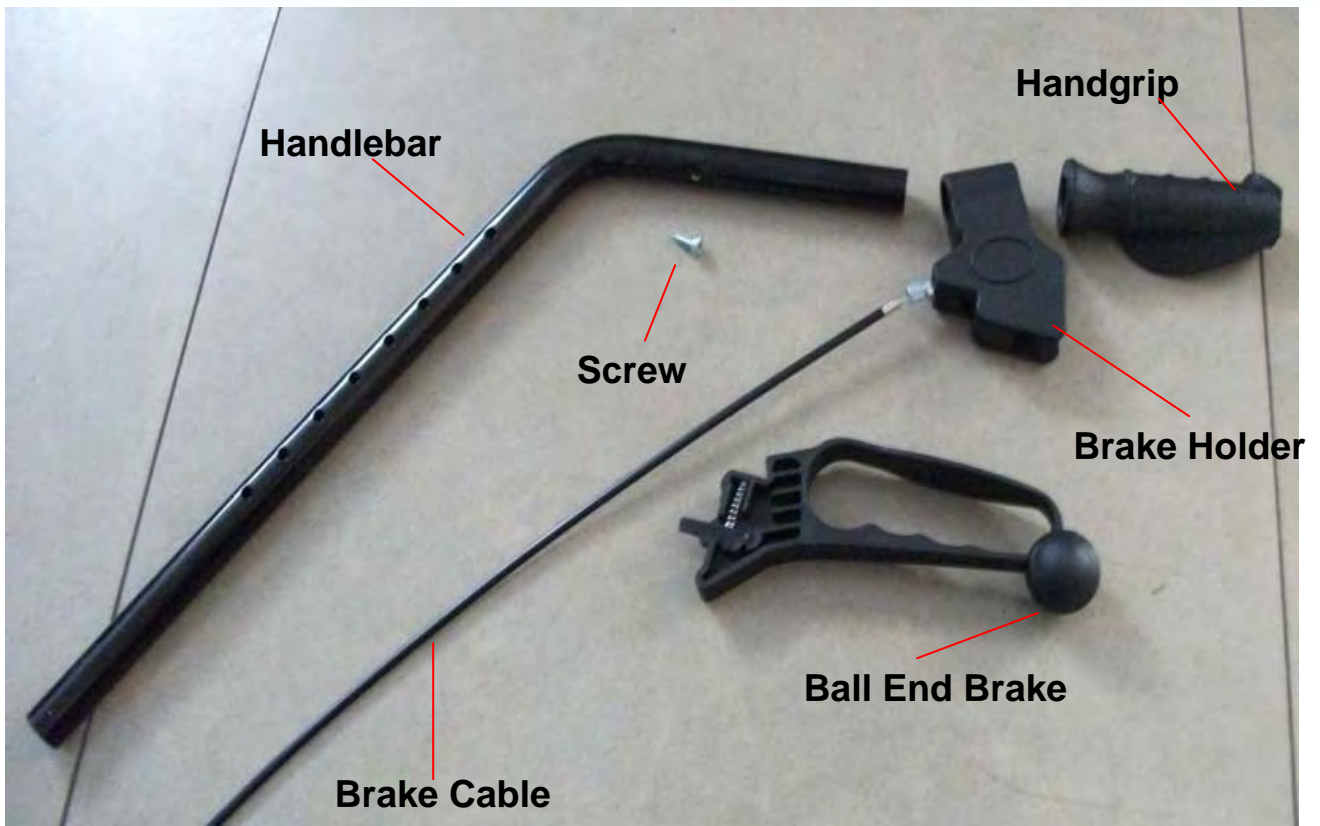
To operate brakes on walker: lock brakes on by placing hands in levers under handgrips and then pushing down. This is recommended for your safety when sitting on your walker. Once you have stood up, you then release brakes by pulling in an upward motion.

DO NOT release brakes until you are in a standing position.

ASSEMBLY CONT.



ASSEMBLY CONT.



**To un-Install:
Reverse the procedures.**

- 1. Take out the hand grip**
- 2. Separate the ball end brake and brake holder**
- 3. Un-install the brake cable**
- 4. Screw out the bolt.**

SAFETY

Safety and handling of the seat walker requires the close attention of the user. This manual points out the most common procedures and techniques involved in the safe operation and maintenance of the seat walker. It is important to practice and master these safe techniques until you are comfortable in manoeuvring around frequently encountered architectural barriers.

Use this information only as a basic guide. The techniques that are discussed below have been used successfully by many. Individual seat walker users often develop skills to deal with daily living activities that may differ from those described here. All warnings and cautions given in this manual **MUST** be followed.

Techniques in this manual are a starting point for the new seat walker user with safety as the most important consideration for all.

To determine and establish your particular safety limits, practice bending, reaching and sitting in several combinations in the presence of a qualified health professional before attempting active use of the seat walker.

When unfolding your seat walker for use make sure it is fixed safely by pushing down on the folding brackets between the front and rear frame.

Also ensure that the backrest has been pushed back to its locked position.

When assembling your seat walker, make sure that bolts and tightening wheel are secure **BEFORE** use.

Always check hand grips for looseness before using seat walker. If loose and/or worn, replace immediately.

If seat walker is exposed to extreme temperature (above 38° C or below 0° C), high humidity and/or becomes wet, prior to use, ensure hand grips **DO NOT** twist on the seat walker handle—otherwise damage or injury may occur.

When seated **DO NOT** attempt to reach for objects if you have to move forward on the seat or if you have to pick them up from the floor by reaching between your knees. **DO NOT** reach over the backrest to reach objects behind you as this may cause the seat walker to tip over.

DO NOT use on roads, streets or highways.

DO NOT climb, go up or down an incline or traverse slopes greater than 9 degrees.

DO NOT attempt to go up or down an incline which has a film of water, ice or oil.

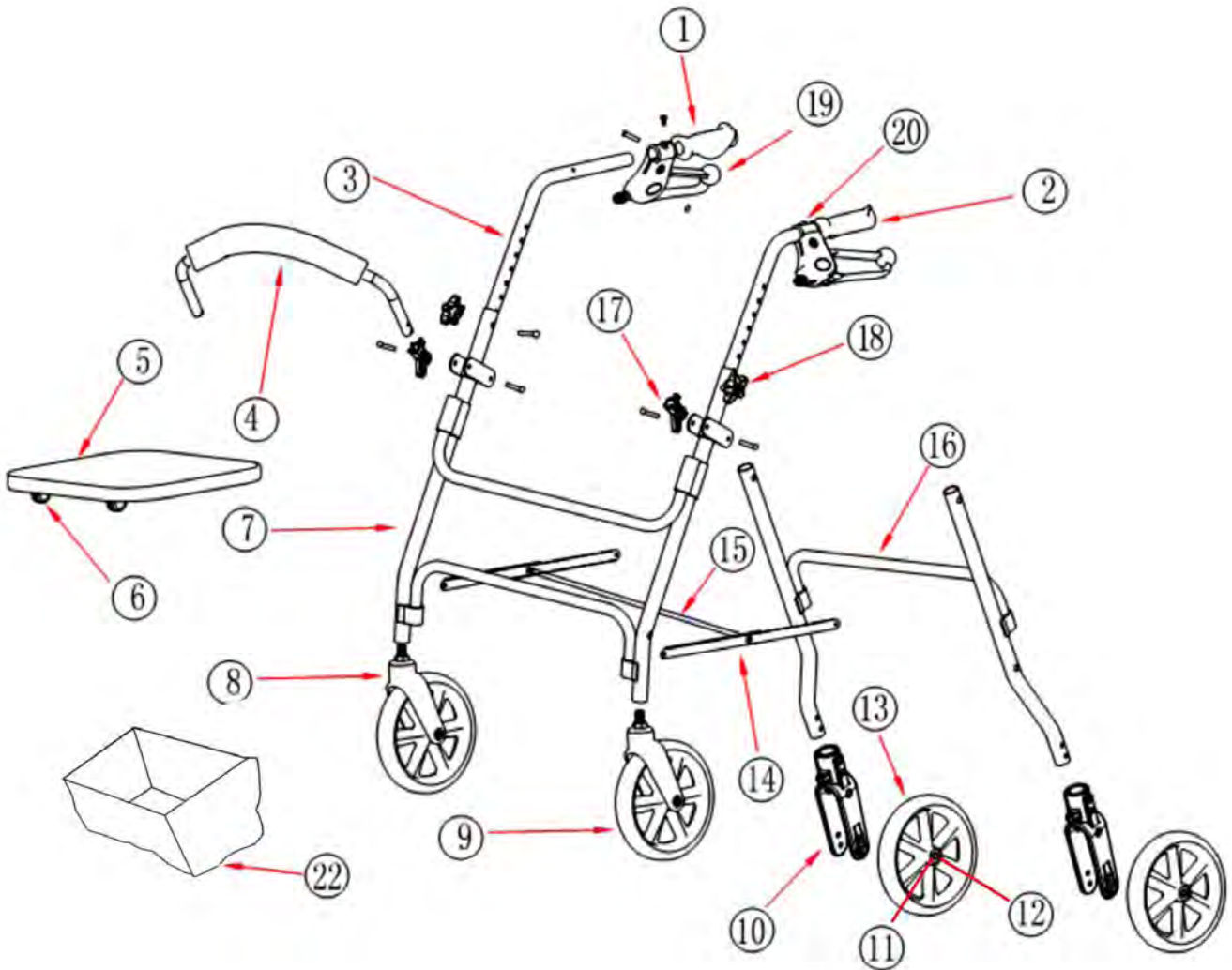
Use caution when traversing curbs or obstacles as this may cause the seat walker to tip over and cause bodily harm or damage to the seat walker.

ALWAYS apply brakes before sitting on the seat. **DO NOT** release brakes until you are in a standing position.

The seat walker is not a wheelchair. People must not be pushed while seated on the walker—otherwise damage or injury may occur and it will also void the warranty.

The tyres and wheels need to be checked periodically for cracks and wear. If problems are indicated, the problem parts should be identified and replaced immediately. Should brakes need adjusting, consult your local supplier or Evocare Australia.

PART LIST



LM3208 Folding Four Wheel Walker, Adjustable height anatomical hand grips, brakes, folding backrest, 8" wheels and Security bag under seat.

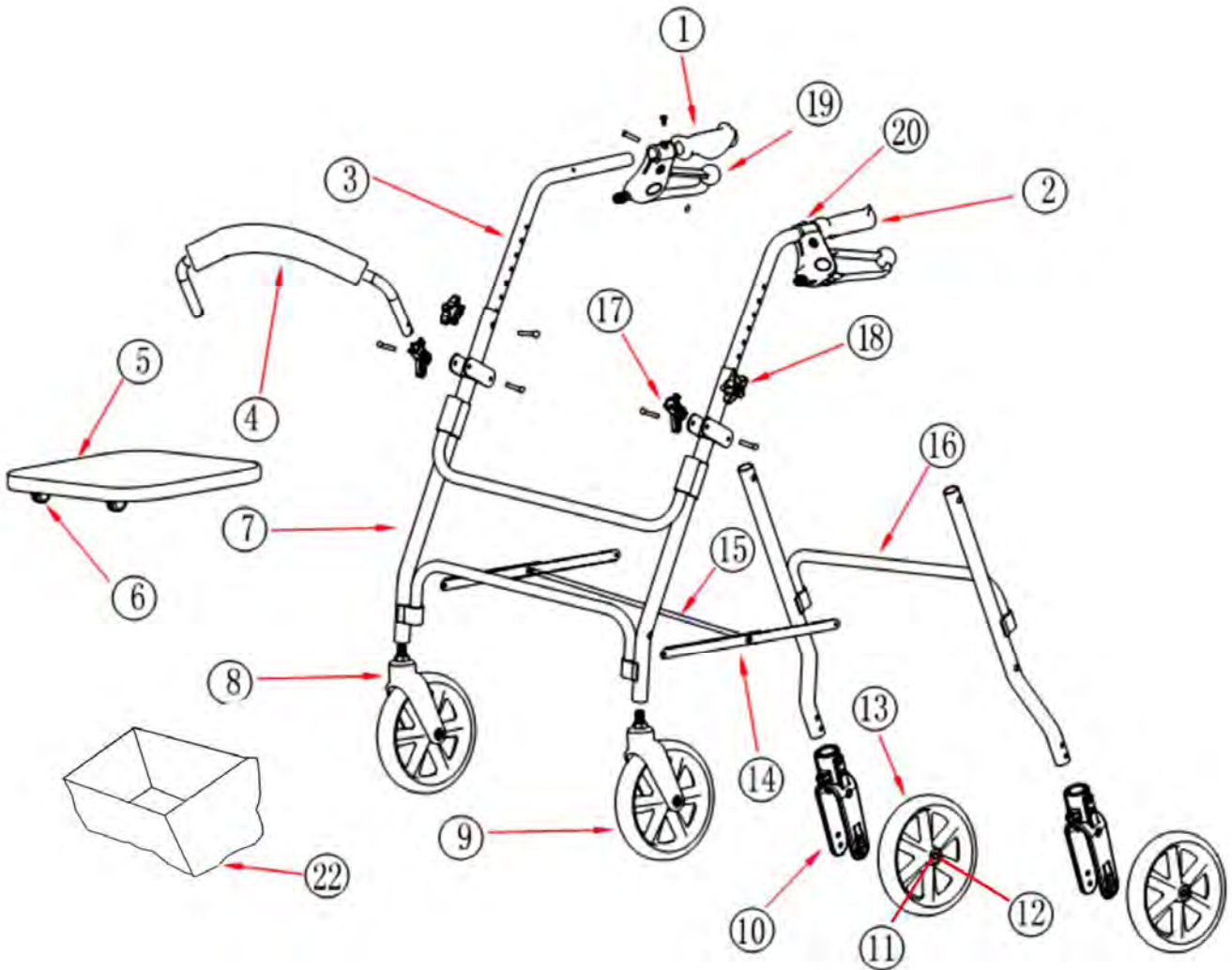
1	N02LA802	Anatomical Hand Grip - right	13	AZ01LA803	Rear castors 8" walker
2	N02LA802	Anatomical Hand Grip - left	14		Cross Bar—left
3	B01LA601C	Handle tube	14		Cross Bar—right
4	C01LA808	Curved padded backrest	15		Supporting Tube
5	G01LA601	Padded seat	16	N01LA802	Rear Tube
6	E01LA802	Seat Retainer	17	AU01LA808L	Backrest holder left
7	Q003LA808	Front upright tube	17	AU01LA808R	Backrest holder right
8	M01LA802L	Front fork 8" walker left	18	U01LA803B	Front castor screw
8	M01LA802R	Front fork 8" walker right	19	K01LA802L	hand brake assembly left
9	AZ01LA803	Castors 8" walker	20	K01LA802R	hand brake assembly right
10	B02LA803	Rear fork	21	T01LA802	Brake cable
11	X03LA8038	Bushing 8 inch	22	V01LA802	Security bag
12	D0003C01	Wheel bearing			

PART LIST

PARTS LIST FOR LM3208 WALKER Walker with 8" wheels

	Part number	Part name Walker		Part number	Part name Walker
1	B01LA601C	Handle tube	39	X02LA803	bushing
2	L01LA802	Front tube	40	F01LA802C	bushing
3	AL02LA802	Front bottom tube	41	N01LA802B	rivet
4	N01LA802	Rear Tube	42	W01LA803	front upright nut
5	C01LA808	Backrest	43	CA01LA808	bushing
6	K01LA803	Front upright	44	C01LA802	connection bushing
7	M01LA808	rear upright	45	BA01LA808	Double clip
8	Q001LA808	Front weld assy.	46	W01LA802	backrest form
9	Q002LA808	Rear weld assy.	47	BZ01LA803	front fork cover
10	Q003LA808	Front upright weld assy.	48	V01LA802	bag
11	D0001B03	lock spring	49	AZ01LA803	castors 8" walker
12	G0004A01	cross half round screw	50	K01LA802L	hand brake assembly left
13	X03LA8038	bushing 8 inch	50	K01LA802R	hand brake assembly right
14	D0003C01	bearing	51	A01LA803	brake gear plate
15	G01LA802E	hex bolt	52	J01LA802	cable clip
16	H01LA802C	nut for cable	53	N02LA802	bake hand grip
17	E01LA802B	screw set for brake	54	N01LA601	brake axle
18	C0005A01	axle	55	Q01LA601	brake holder
19	C0007A01	axle	56	U01LA803	nylon nut
20	L01LA809	cupper screw	57	A01LA802	bushing
21	Y01LA803	bake spring	58	G01LA802	end cap
22	Y01LA802	hex bolt	59	G01CS008	end cap
23	Q01LA802B	self-srilling screw	60	B01LA802	knob screw
24	C0008A01	half round hex bolt	61	E01LA802	seat retainer
25	C0009A01	half round hex bolt	62	G01LA601	seat
26	C01LA809	half round hex bolt	63	AU01LA808L	backrest holder left
27	J0004A01	washer	63	AU01LA808R	backrest holder right
28	J0006A01	washer	64	BL02LA802	castor(right) 8" walker
29	Z01LA802	nylon nut	65	M01LA802L	front fork 8" walker left
30	Z02LA802	nylon nut	65	M01LA802R	front fork 8" walker right
31	Z02A01	nylon nut cover	66	B02LA803	rear fork
32	M02LA802	rivet	67	F01LA802	washer
33	X01LA802	bushing	68	H01LA802	arc. Washer
34	Q01LA802E	thread axle	69	T01LA802	cable
35	R01LA803	folding plate	70	G01LA808	CE lable 8" walker
36	S01LA803	L folding plate	71	A01LA808	Product label 8" walker
37	D0002C01	bearing	72	BU01LA808	Weight capacity label
38	U01LA803B	front castor screw	73	J01LA808	Reflector label
			74	F01LA808	Serial label 8" walker

PART LIST



LM3206 Folding Four Wheel Walker, Adjustable height anatomical hand grips, brakes, folding backrest, 6" wheels and Security bag under seat.

1	N02LA802	Anatomical Hand Grip - right	13	AZ01LA601	Rear castors 6" walker
2	N02LA802	Anatomical Hand Grip - left	14		Cross Bar—left
3	B01LA601C	Handle tube	14		Cross Bar—right
4	C01LA808	Curved padded backrest	15		Supporting Tube
5	G01LA601	Padded seat	16	N01LA802	Rear Tube
6	E01LA802	Seat Retainer	17	AU01LA808L	Backrest holder left
7	Q003LA808	Front upright tube	17	AU01LA808R	Backrest holder right
8	M01LA601L	Front fork 6" walker left	18	U01LA803B	Front castor screw
8	M01LA601R	Front fork 6" walker right	19	K01LA802L	hand brake assembly left
9	AZ01LA601	Castors 6" walker	20	K01LA802R	hand brake assembly right
10	B02LA803	Rear fork	21	T01LA802	Brake cable
11	X03LA8036	Bushing 6 inch	22	V01LA802	Security bag
12	D0003C01	Wheel bearing			

PART LIST

PARTS LIST FOR LM3206 WALKER Walker with 6" wheels

Part number	Part name Walker	Part number	Part name Walker		
1	B01LA601C	Handle tube	40	F01LA802C	bushing
2	L01LA802	Front tube	41	N01LA802B	rivet
3	AL02LA802	Front bottom tube	42	W01LA803	front upright nut
4	N01LA802	Rear Tube	43	CA01LA808	bushing
5	C01LA808	Backrest	44	C01LA802	connection bushing
6	K01LA803	Front upright	45	BA01LA808	Double clip
7	M01LA808	rear upright	46	W01LA802	backrest form
8	Q001LA808	Front weld assy.	47	BZ01LA803	front fork cover
9	Q002LA808	Rear weld assy.	48	V01LA802	bag
10	Q003LA808	Front upright weld assy.	49	AZ01LA601	castors 6" walker
11	D0001B03	lock spring	50	K01LA802L	hand brake assembly left
12	G0004A01	cross half round screw	50	K01LA802R	hand brake assembly right
13	X03LA8036	bushing 6 inch	51	A01LA803	brake gear plate
14	D0003C01	bearing	52	J01LA802	cable clip
15	G01LA802E	hex bolt	53	N02LA802	bake hand grip
16	H01LA802C	nut for cable	54	N01LA601	brake axle
17	E01LA802B	screw set for brake	55	Q01LA601	brake holder
18	C0005A01	axle	56	U01LA803	nylon nut
19	C0007A01	axle	57	A01LA802	bushing
20	L01LA809	cupper screw	58	G01LA802	end cap
21	Y01LA803	bake spring	59	G01CS008	end cap
22	Y01LA802	hex bolt	60	B01LA802	knob screw
23	Q01LA802B	self-rrilling screw	61	E01LA802	seat retainer
24	C0008A01	half round hex bolt	62	G01LA601	seat
25	C0009A01	half round hex bolt	63	AU01LA808L	backrest holder left
26	C01LA809	half round hex bolt	63	AU01LA808R	backrest holder right
27	J0004A01	washer	64	BL01LA601	castor(right) 6" walker
28	J0006A01	washer	65	M01LA601L	front fork 6" walker left
29	Z01LA802	nylon nut	65	M01LA601R	front fork 6" walker right
30	Z02A01	nylon nut	66	B02LA803	rear fork
31	Z02A01	nylon nut cover	67	F01LA802	washer
32	M02LA802	rivet	68	H01LA802	arc. Washer
33	X01LA802	bushing	69	T01LA802	cable
34	Q01LA802E	thread axle	70	G01LA607	CE lable 6" walker
35	R01LA803	folding plate	71	A01LA607	Product label 6" walker
36	S01LA803	L folding plate	72	BU01LA808	Weight capacity label
37	D0002C01	bearing	73	J01LA808	Reflector label
38	U01LA803B	front castor screw	74	F01LA607	Serial label 6" walker
39	X02LA803	bushing			

PART LIST

PARTS LIST FOR WALKERS



Brake Gear Plate
A01LA803



Arc Washer
H01LA802



Nut for Cable
H01LA802C



Brake Spring
Y01LA803



Nylon Nut
Z02A01



Backrest Holder
AU01LA808L—left
AU01LA808R—right



Copper Screw
L01LA809



Seat Retainer
E01LA802

DIMENSIONS, CLEANING & MAINTENANCE

Measurements for Walkers

Model	Overall (mm)	Folded (mm)	Between Arms (mm)	Rear Wheel dia. (mm)	Front Wheel dia. (mm)	Seat Height (mm)
LM3206	620	230	450	150	150	540
LM3208	620	240	450	200	200	550
	Overall Length (mm)	Height to Grips (mm)	Seat Width (mm)	SWL (kg)	Gross Weight (kg)	Net Weight (kg)
LM3206	630	790-950	360	120	8.6	7.2
LM3208	670	830-990	360	120	9.7	8

CLEANING & MAINTENANCE

Regular cleaning and inspection is recommended.

WARRANTY

1. Evocare provides consumers with the following warranty in relation to this Product, in addition to complying with the requirements of any relevant legislation, including the *Competition and Consumer Act 2010* (Cth) in Australia and the *Consumer Guarantees Act 1993* in New Zealand (the Acts), except where a New Zealand consumer acquires the Product for the purposes of a business.
2. In this warranty, we have used the following definitions:
 - (a) **Form** means a warranty claim form issued by Evocare in respect of Products;
 - (b) **Evocare** or **our** means Evocare Australia Pty Limited, ABN 98 078 566 604 of Level 19, 144 Edward Street, Brisbane 4000;
 - (c) **Products** means the goods manufactured for Evocare (including products manufactured by its contract manufacturers);
 - (d) **Material** means a material or component used by Evocare in the manufacture of the Products;
 - (e) **Retailer** means the authorised dealer of Products from whom the Product was purchased;
 - (f) **Warranty Period** means the warranty period commencing from the date of purchase of the relevant Product. If the Product or part (as the case may be) is repaired or replaced, there will be no extension to the original warranty period; and
 - (g) **Workmanship** means the handling, assembly and manufacturing processes performed by or on behalf of Evocare in order to manufacture the Products.
3. Evocare warrants that for the duration of the Warranty Period, all Products will be free of faults arising from defects in Workmanship or Materials, on the terms and conditions set out in this warranty.
4. Evocare undertakes that if during the Warranty Period any Product, or any part of a Product, has failed to operate correctly due to faulty Workmanship or defective Material, it will repair or replace the Product or part (as the case may be) free of charge provided that the following procedures are met :
 - (a) The consumer must contact the Retailer or Evocare upon becoming aware of any defect to a Product upon which the consumer will be required to complete a Form and provide satisfactory proof of purchase.
 - (b) Evocare will review the Form to determine whether there is a defect, and if so Evocare agrees to (at its option) repair, replace or supply equivalent goods, or pay the cost of any of those remedies to the consumer.
 - (c) If Evocare requests the return of the applicable Product or part, the consumer will be responsible for the collection and freight costs of returning that Product or part to Evocare.
 - (d) The consumer acknowledges that it is also responsible for the freight costs to deliver any new Product or replacement part to it.
5. This warranty is in addition to any non-excludable legal rights or remedies conferred on the consumer under any applicable Act and any similar laws. To the extent permitted by law, Evocare's liability for any non-excludable condition or warranty is limited to rectifying any defect at its option, as set out in paragraph 4(b).
6. Subject to the requirements of any applicable Act or legislation and to the extent permitted by law, no liability (whether expressed or implied) of any nature whatsoever, is accepted by Evocare for any consequential loss, damage or injury arising as a result of any fault in the Products.
7. This warranty does not extend to damage to Products which occurs during transit or transportation, or which is caused by any abuse, accident or improper installation, connection, use, adjustment or repair or use of goods otherwise than in accordance with instructions issued by Evocare.
8. The warranty on Products is waived if any addition or attachment to the Products do not have Evocare's approval or are not sold as Evocare products. The Products are designed to perform specific tasks under established test loads and unauthorised attachments may produce stresses for which the design is not appropriate.
9. The following applies to consumers who purchased a relevant Product in Australia:

Our goods come with guarantees that cannot be excluded under the Australian Consumer Law. You are entitled to a replacement or refund for a major failure and compensation for any other reasonably foreseeable loss or damage. You are also entitled to have the goods repaired or replaced if the goods fail to be of acceptable quality and the failure does not amount to a major failure.

WARRANTY

Your Evocare Walker is warranted to be free of defects in material and workmanship for 12 months, for the original consumer.

NOTE: This warranty does not cover device failure due to owner misuse, negligence, or normal wear and tear.

The warranty does not extend to non-durable components such as rubber accessories, brakes and grips, which are subject to normal wear and tear. Non-durable components are warranted for 3 months.

For more information about your LM3206 & LM3208 seat walkers, warranty or to order parts call 07 3355 8007.

E- mail: sales@evocare.com.au
Website www.evocare.com.au

Manufactured for:

Evocare Australia Pty Limited, 260 South Pine Road, Enoggera. QLD. 4051.

Phone: 07 3355 8000

FAX: 07 3355 5043