

## Bed Frame Bracket

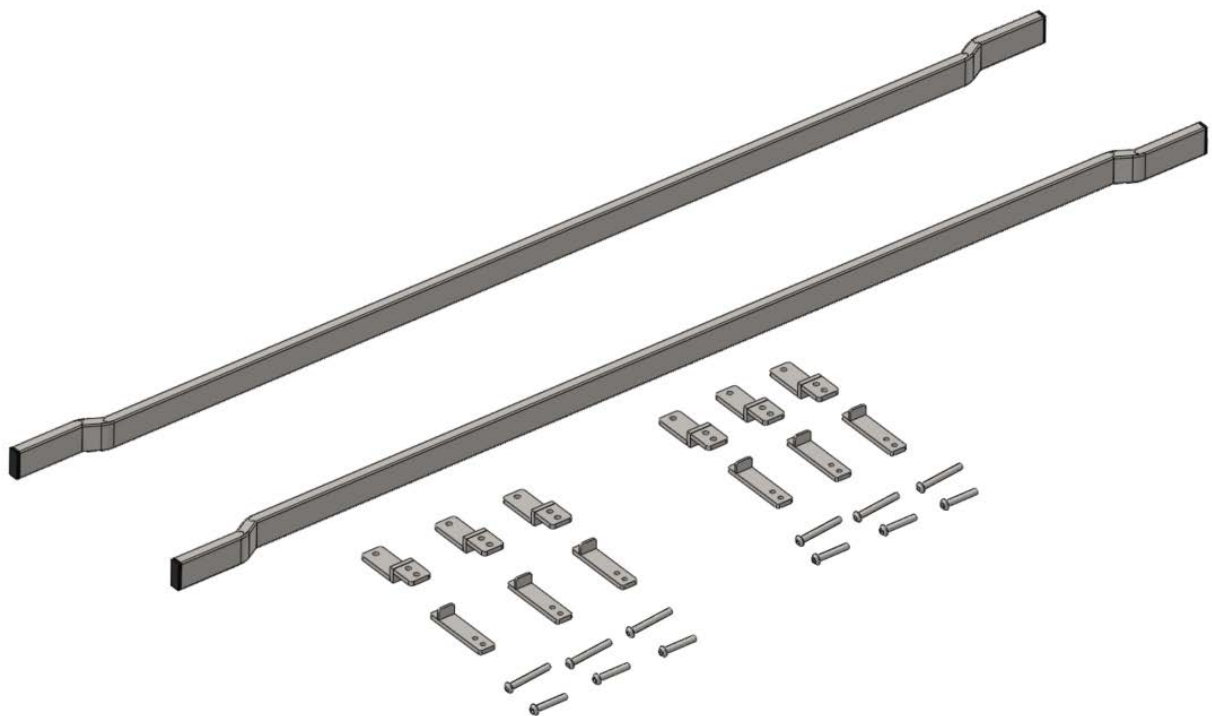
Some bed frames have welding and/or rounded corners on the bed frame which makes traditional mounting of the VENDLET complicated. Adequate space for mounting the VENDLET is ensured using the Bed Frame Bracket.



Extra caution is required when installing the Bed Frame Bracket since it increases the distance between VENDLET and the mattress with an additional 4 cm compared to normal installation of a VENDLET-system. Especially the distances between the mattress and VENDLET, and the bed headboards and VENDLET are important.

The kit includes:

- 2 pcs. of frames
- 6 sets of mounting brackets for the frame
- 6 pcs. of M10x60 bolts for the frame
- 6 pcs. of M10x80 bolts for the frame



Item no.: 7000052

Vendlet ApS  
Egelund 33  
6200 Aabenraa  
+45 9631 0050  
vendlet@vendlet.dk

### Installation instructions

The Bed Frame Bracket is mounted as shown below. The red frame symbolizes the bed frame where the bracket is mounted.

Each bracket is fitted with 3 pieces of mounting brackets.

The distance  $x$  must not exceed 40 cm

