



Combi-lock Technical specifications

Function
Usage : Ensures the joining of
Guldmann rail systems

Weight
Combi-lock : 2.1 kg
Safety lock
on fixed rail : 1.1 kg
on traverse rail : 1.0 kg

Materials
Safety lock
on fixed rail : Rustproof steel
on traverse rail : Rustproof steel
Covers : Plastic

Measurements
A : 114 mm
B : 99 mm
C1 : 195 mm
C2 : 175 mm
D1 : 280 mm
D2 : 100 mm
E : 119 mm

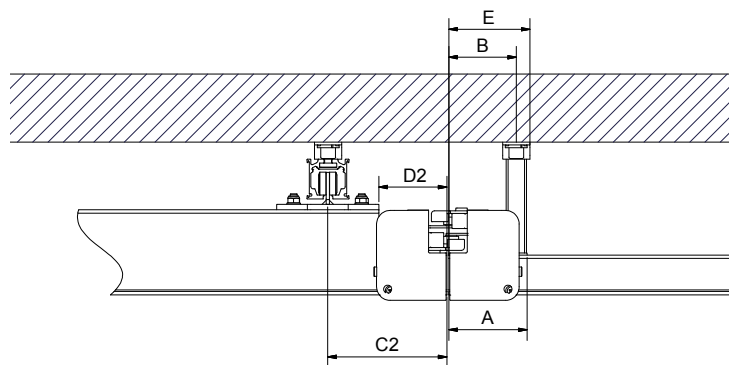
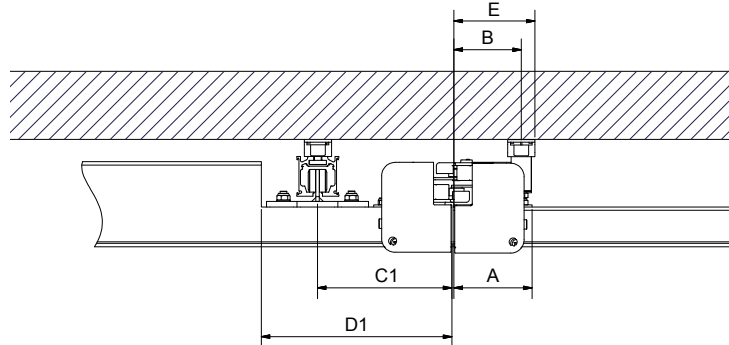
SWL
GH1, GH1F, GH3, GH3+ : Max 255 kg
GH3 Twin : Max 500 kg

SWL
GH1, GH1F, GH3, GH3+ : Max 375 kg
GH3 Twin : Max 500 kg

Markings
The product is manufactured in compliance with regulation (EU) 2017/745 of the European parliament and of the Council of 5 April 2017, as medical device Class I.

Item Number/Model
555237 : Combi-lock

Patents : Patent Pending
Design Protected



Time to care