

## Rails



1

Rails A/B/C								
Rail A	1 m	2 m	3 m	4 m	5 m	6 m	7 m	8 m
w/ charging liner	550351	550352	550353	550354	550355	550356		
Cut-out for trolley	552535	552536	552537	552538	552539	552540		
w/o charging liner	550670	550671	550672	550673	550674	550675		
Cut-out for trolley	557882	557883	557884	557885	557886	557887		
Rail B	1 m	2 m	3 m	4 m	5 m	6 m	7 m	8 m
w/ charging liner			550359	550360	550361	550362	550363	550364
Cut-out for Combi-lock – short			555620	555621	555622	555623	555624	555625
Cut-out for Combi-lock – long			555614	555615	555616	555617	555618	555619
Cut-out for trolley			552541	552542	552543	552544	552545	552546
w/o charging liner			550677	550678	550679	550680	550681	550682
Cut-out for trolley			557888	557889	557890	557891	557892	557893
Rail C	1 m	2 m	3 m	4 m	5 m	6 m	7 m	8 m
w/ charging liner					550365	550366	550367	550368
Cut-out for Combi-lock – short					555630	555631	555632	555633
Cut-out for Combi-lock – long					555626	555627	555628	555629
Cut-out for trolley					552547	552548	552549	552550
w/o charging liner					550683	550684	550685	550686
Cut-out for trolley					557894	557895	557896	557897

The ABC rails are also available in white (RAL 9016). If white is requested add -WH to the item no. (xxxxx-WH).

### Special rail cuts

Cut-out for Combi-lock  
See table above



Cut-out for trolley  
See table above



## Rails



### 2

Rails A+/B+/C+								
Rail A+	1 m	2 m	3 m	4 m	5 m	6 m	7 m	8 m
w/ charging liner	562361	562362	562363	562364	562365	562366		
Cut-out for trolley	562377	562378	562379	562380	562381	562382		
w/o charging liner	562601	562602	562603	562604	562605	562606		
Cut-out for trolley	562617	562618	562619	562620	562621	562622		
Rail B+	1 m	2 m	3 m	4 m	5 m	6 m	7 m	8 m
w/ charging liner			562367	562368	562369	562370	562371	562372
Cut-out for trolley			562383	562384	562385	562386	562387	562388
w/o charging liner			562607	562608	562609	562610	562611	562612
Cut-out for trolley			562623	562624	562625	562626	562627	562628
Rail C+	1 m	2 m	3 m	4 m	5 m	6 m	7 m	8 m
w/ charging liner					562373	562374	562375	562376
Cut-out for trolley					562389	562390	562391	562392
w/o charging liner					562613	562614	562615	562616
Cut-out for trolley					562629	562630	562631	562632

The ABC rails are also available in white (RAL 9016). If white is requested add -WH to the item no. (xxxxx-WH).

### 3

#### Cut-out for trolleys 250 mm

	Grey	White
Rail A	558926	558926-WH
Rail B	558927	558927-WH
Rail A+	562337	562337-WH
Rail B+	562338	562338-WH



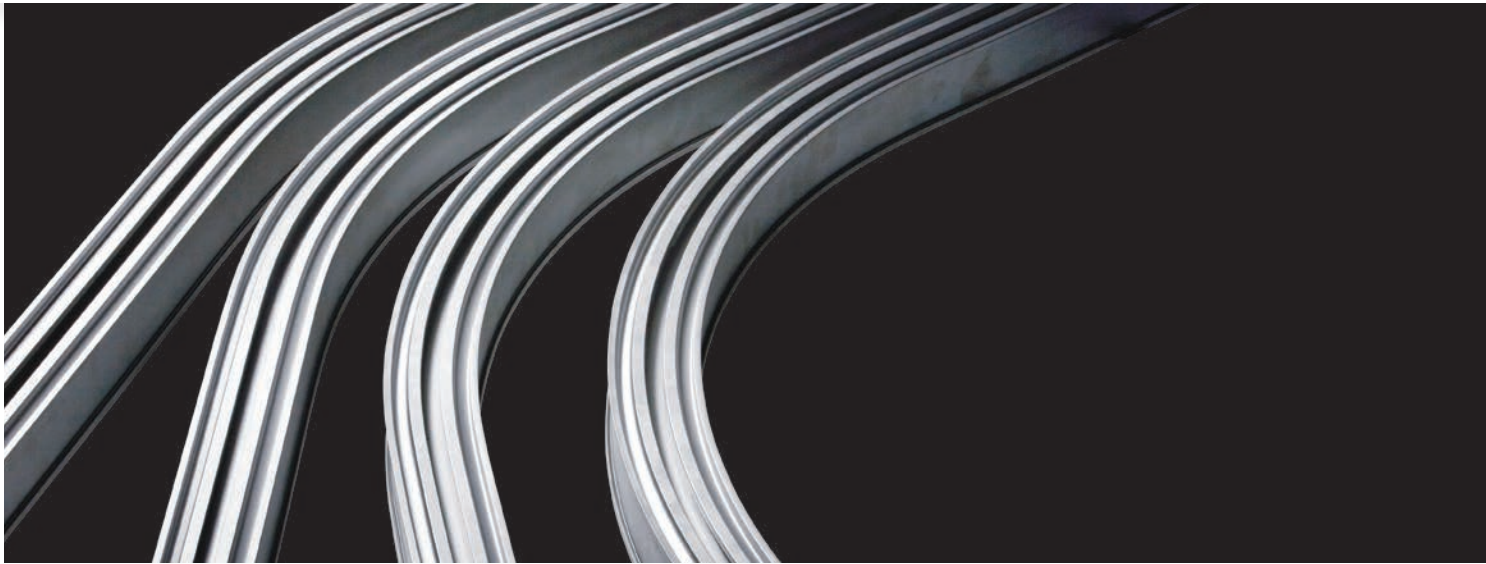
### 4

#### Cut-out for trolleys 620 mm

	Grey	White
Rail A	558928	558928-WH
Rail B	558929	558929-WH
Rail A+	562339	562339-WH
Rail B+	562340	562340-WH



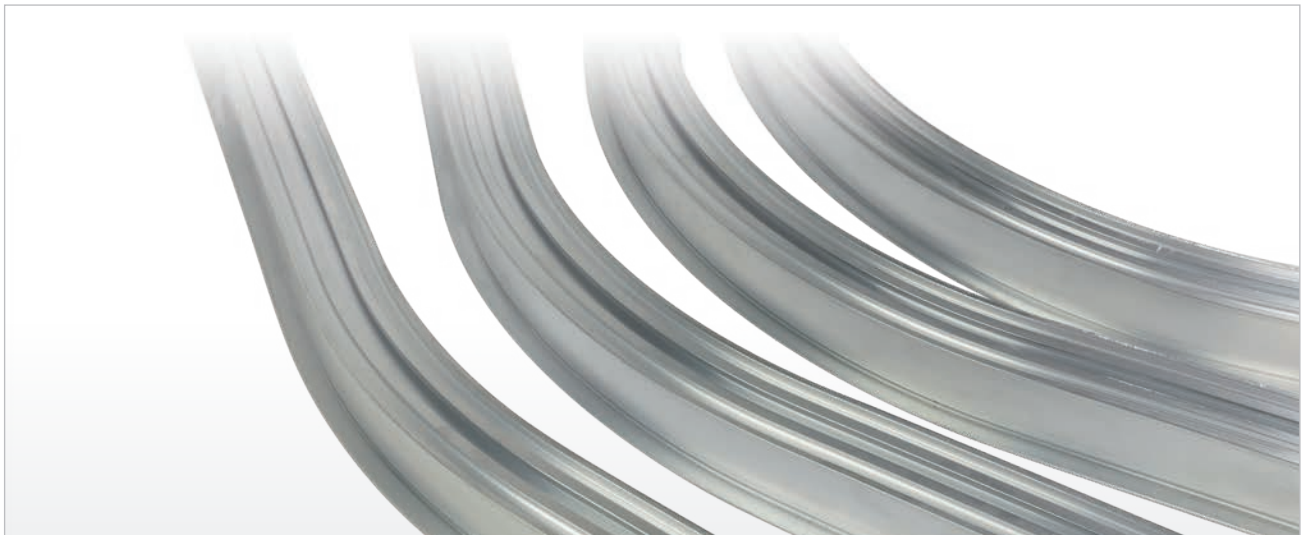
Rails



5

**Rail curves (rail A)**

	Grey	White
30° .....	550015 .....	550015-WH
45° .....	550016 .....	550016-WH
60° .....	550017 .....	550017-WH
90° .....	550018 .....	550018-WH
90° large .....	550025 .....	550025-WH



6

**Rail curves (rail A+)**

	Grey	White
30° .....	562409 .....	562409-WH
45° .....	562410 .....	562410-WH
60° .....	562411 .....	562411-WH
90° .....	562412 .....	562412-WH
90° large .....	562413 .....	562413-WH

Rails



7

8



Wall rail

	Rail	White cover
3 m	560813	556013
4 m	560814	556014
5 m	560815	556015
7 m	560817	556017

Wall rail with charging liner

	Rail	White cover
3 m	560803	556013
4 m	560804	556014
5 m	560805	556015
7 m	560807	556017



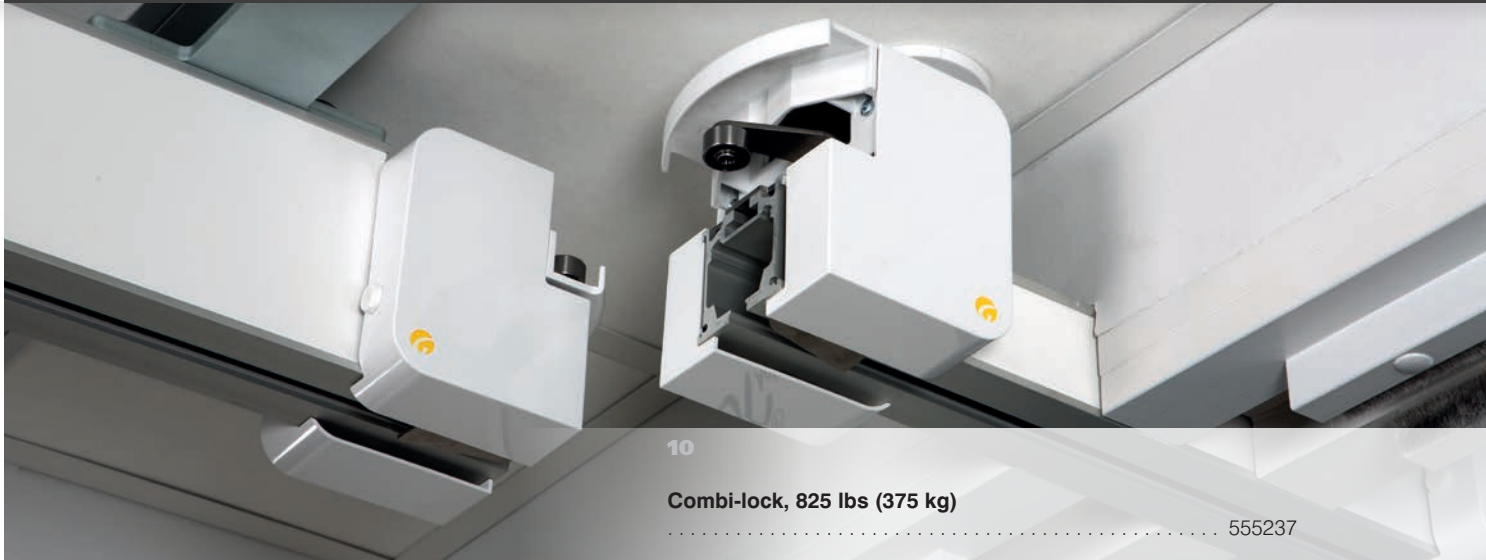
9



GHZ traverse rail

	White
3 m	557703
4 m	557704
5 m	557705

Components for rail systems

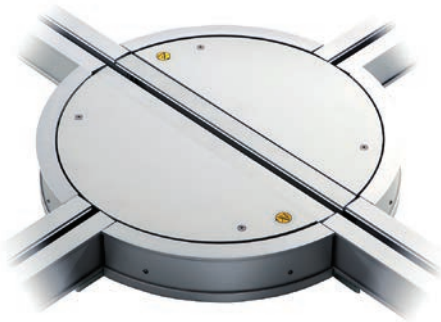


10

**Combi-lock, 825 lbs (375 kg)**

..... 555237

11



**Turntable, electric**

	Grey	White
560 lbs (255 kg) .....	550663 .....	550663-WH .....
- with coating .....	551430 .....	551430-WH .....
825 lbs (375 kg) .....	552882 .....	552882-WH .....
- with coating .....	552984 .....	552984-WH .....

12



**Switch track, electric, 550 lbs (250 kg)**

	Grey	White
60° right. ....	553991 .....	553991-WH .....
- with coating .....	551058 .....	551058-WH .....
60° left. ....	553995 .....	553995-WH .....
- with coating .....	551059 .....	551059-WH .....
90° right. ....	553925 .....	553925-WH .....
- with coating .....	554027 .....	554027-WH .....
90° left. ....	553926 .....	553926-WH .....
- with coating .....	554028 .....	554028-WH .....



13

**Rail crossing module**

Flexible division for set-ups with mobile walls and folding doors ..... 554528

Components for rail systems

14



**Wall bracket end**  
*end-mounted rail*

Grey..... 550451  
White..... 550471

15



**Wall bracket end**  
*side-mounted rail*

Grey..... 550451  
White..... 550471

16



**Wall bracket side**  
*end-mounted rail*

Grey..... 550450  
White..... 550472

17



**Wall bracket side**  
*side-mounted rail*

Grey..... 550450  
White..... 550472

18



**Rail joint bracket**

..... 12448

19



**Ceiling bracket, standard**  
**for straight rail and curve**

Grey..... 550402  
White..... 550433

20



**Ceiling bracket, standard**  
**for rail joints**

Grey..... 550402  
White..... 550433

21



**Assembly bracket**

..... 12336

22



**Ceiling bracket adjustable 5 mm**  
**for Combi-lock**

Grey..... 555330  
White..... 555567

23



**Lowered ceiling bracket standard**  
**for straight rail and curve**

Grey..... 550403  
White..... 550434

24



**Plasterboard bracket**  
**max 560 lbs (255 kg)**

White..... 550452

Components for rail systems

25



**Ceiling bracket, straight lowered for straight rail and curve**

Length	Grey	White
250-450 mm	562015	562015-WH
451-650 mm	562016	562016-WH
651-850 mm	562017	562017-WH
851-1000 mm	562018	562018-WH
1001-1200 mm	562019	562019-WH
1201-1400 mm	562020	562020-WH
1401-1600 mm	562021	562021-WH
1601-1800 mm	562022	562022-WH
1801-2000 mm	562023	562023-WH

26



**Ceiling bracket, straight lowered for Combi-lock**

Length	Grey	White
316-520 mm	562060	562060-WH
521-720 mm	562061	562061-WH
721-920 mm	562062	562062-WH
921-1125 mm	562063	562063-WH
1071-1270 mm	562064	562064-WH
1271-1470 mm	562065	562065-WH
1471-1670 mm	562066	562066-WH
1671-1870 mm	562067	562067-WH
1871-2070 mm	562028	562028-WH

27



**Upright support brackets**

*White as standard, RAL 9016*

without foot	124841
with low foot (150 mm)	124801
with high foot (250 mm)	124811
Guideway for upright support	1248031

*Grey is an option, RAL 9006*

without foot	124844
with low foot (150 mm)	124804
with high foot (250 mm)	124814
Guideway for upright support	1248034

28



**Ceiling bracket, lowered rod for straight rail and curve**

Length	Grey	White
250 mm	550498	550499
500 mm	550436	550410
1000 mm	550437	550408
2000 mm	550438	550409

29



**Stabilizing bracket**

Length	Grey	White
500 mm	550417	550440
1000 mm	550418	550441
2000 mm	550419	550442

30



**Ceiling bracket slope lowered**

Length	Grey	White
250 mm	550412	550476
500 mm	550413	550477
1000 mm	550414	550474
2000 mm	550415	550475

Components for rail systems

31



**Traverse trolley**

For room covering systems mounted below the ceiling. Max. SWL 825 lbs (375 kg).  
 Grey . . . . . 550076  
 White . . . . . 550491

32



**Traverse trolley Lowered 25 mm**

For room covering systems where parallel rails are integrated/recessed into the ceiling. Max SWL 825 lbs (375 kg)  
 Grey . . . . . 554189  
 White . . . . . 551327

33



**Traverse trolley cross Combi-lock**

Must be used in room covering systems on the parallel rail closest to the Combi-lock or in systems with overhang of traverse rail. Max. SWL 825 lbs (375 kg).  
 Grey . . . . . 550779  
 White . . . . . 555205

34



**Traverse trolley cross Combi-lock, lowered 25 mm**

Must be used in room covering systems on the parallel rail that is integrated/recessed into the ceiling and closest to the Combi-lock or in systems with overhang of traverse rail. Max. SWL 825 lbs (375 kg).  
 Grey . . . . . 554526  
 White . . . . . 558664

35



**Traverse trolley**

For room covering systems mounted below the ceiling. Max. SWL 1100 lbs (500 kg).  
 Grey . . . . . 550078  
 White . . . . . 550493

36



**Traversløbekat Heavy Duty, forlænget 25 mm**

For room covering systems where parallel rails are integrated/recessed into the ceiling. Max. SWL 1100 lbs (500 kg).  
 Grey . . . . . 554546  
 White . . . . . 554548

37



**Traverse trolley Heavy duty cross**

For room covering systems with overhang of traverse rail. Max. SWL 1100 lbs (500 kg).  
 Grey . . . . . 559548  
 White . . . . . 559549

38



**Traverse trolley long**

For room covering systems where the traverse rail is longer than 5 meter. Max SWL 880 lbs (400 kg).  
 Grey . . . . . 556106  
 White . . . . . 555802

39



**Traverse trolley long, lowered 25 mm**

For room covering systems where the parallel rails are integrated/recessed into the ceiling. Max SWL 880 lbs (400 kg).  
 Grey . . . . . 558102  
 White . . . . . 560080

40



**Traverse trolley for wall rails B traverse rail**

Can only be used in combination with wall rail and B rail (traverse).  
 White . . . . . 560790  
 Kit for C-traverse rail . . . . . 560720



Components for rail systems

41



**GHZ traverse trolley**

Can only be used in combination with wall rails and GHZ traverse rail.  
White ..... 556290

42



**Adjustable traverse trolley lowered 25 mm**

Max SWL 825 lbs (375 kg)  
Grey ..... 561091  
White ..... 561091-WH

43



**Traverse trolley short, lowered 25 mm**

To be used when the hoist has to be placed/ stored in a cupboard.  
Max SWL 825 lbs (375 kg).  
*Set of two (left and right)*  
Grey ..... 561960  
White ..... 561960-WH

44



**Drive motor for traverse rail**

for traverse B and C rails ..... 562425

45



**Trolley assembly GH2 F and GH1 F – for curtain**

Trolley that can pass through a rail gab (curtain rail for privacy).  
..... 12776-8

46



**Trolley GH3 – for curtain**

Trolley that can pass through a rail gab (curtain rail for privacy).  
..... 550581

47



**Trolley GH3+ with loadcell for curtain**

Trolley that can pass through a rail gab (curtain rail for privacy).  
..... 550582

48



**Trolley assembly ext. 25 mm GH3**

..... 554081

49



**Trolley assembly ext. 50 mm GH3**

..... 552503

50



**Pick-up assembly traverse trolley**

For A, B, C and A+, B+, C+ rails  
..... 550094

51



**Pick-up assembly for Wall rail**

..... 560770

52



**Kit for C-rail – Wall rail**

..... 560720

Components for rail systems

53



**Trolley assembly ext. 25 mm for GH1**  
..... 554082

54



**Trolley drive assembly ext. 25 mm  
1 drive**  
..... 554263

55



**Travelling trolley for GH1 Q**  
..... 552730

56



**Rail joint tool**  
..... 561164

57



**Connector plate – wall rail**  
..... 561446

58



**Profile for ceiling, end**  
..... 559229

59

**Spacer lowering traverse rail**

	Grey	White
15 mm . . . . .	551077 . . . . .	551077-WH
20 mm . . . . .	551078 . . . . .	551078-WH
30 mm . . . . .	551079 . . . . .	551079-WH
35 mm . . . . .	551096 . . . . .	551096-WH
40 mm . . . . .	551080 . . . . .	551080-WH
50 mm . . . . .	551081 . . . . .	551081-WH
60 mm . . . . .	551082 . . . . .	551082-WH
70 mm . . . . .	551083 . . . . .	551083-WH
80 mm . . . . .	551084 . . . . .	551084-WH
90 mm . . . . .	551085 . . . . .	551085-WH
100 mm . . . . .	551086 . . . . .	551086-WH

*Each package includes bolts and spacers*



Components for rail systems



60

Side cover		1 m	2 m	3 m	4 m	5 m	6 m	7 m	8 m	100 m
<b>Rail A side cover</b>	Grey	550230	550231	550232	550233	550234	550235			550763
	White	550238	550239	550240	550241	550242	550243			550766
<b>Rail B side cover</b>	Grey			550246	550247	550248	550249	550250	550251	550764
	White			550252	550253	550254	550255	550256	550257	550767
<b>Rail C side cover</b>	Grey					550258	550259	550260	550261	550765
	White					550262	550263	550264	550265	550768

61



**Cover for wall rail**

	White
3 m	556013
4 m	556014
5 m	556015
7 m	556017
100 m	556078

62



**End cover**

	Grey	White
Rail A	550447	550463
Rail B	550448	550464
Rail C	550449	550465

63



**End cover, white – wall rail**

.....	560776
-------	--------

Components for rail systems

64



**End stop cover – wall rail**  
..... 560773

65



**Top cover**  
50 m ..... 561411  
100 m ..... 561410

66



**Cover for trolley**  
Grey ..... 550570  
White ..... 550584



67



**Sealing Kit**  
1 set ..... 559720

68



**Accessory kit – Wall rail**  
2 sets ..... 560780

69



**Charging liner connector**  
..... 551432

70



**Charging liner**  
6 m rail ..... 550425  
10 m rail ..... 550427

71

**Charging liner – wall rail**  
4 m ..... 561447  
10 m ..... 561448

Components for rail systems

72



**Hand control for extension cable**  
 GH3+ ..... 552300  
 GH3+ drive..... 552307  
 GH3..... 552302  
 GH3 drive ..... 552301  
 GH1..... 552619  
 GH1 F..... 555903

73



**Extension cable for hand control**  
 GH3+ ..... 552303  
 GH3 ..... 552304  
 GH1 ..... 552620  
 GH1 F ..... 555902

74



**Remote control IR**  
 for switch track/turntable/GH3 ..... 935034  
 for Positioning lock ..... 935039

**Hand control with cable**  
 for switch track/turntable..... 9350151

75



**Wall switch – flush mounted**  
 for switch track/turntable..... 9350471

**Wall switch – surface mounted**  
 for switch track/turntable..... 935049

76



**Power supply**  
 Transformer AC, class I ..... 550200  
 Power supply, GH1 ..... 551244

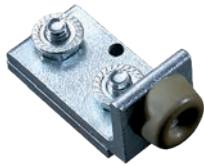
77



**Cable main power AC – white**  
 EU ..... 554250  
 USA ..... 554251  
 UK ..... 554252  
 AU ..... 554253  
 CAN..... 555878

Components for rail systems

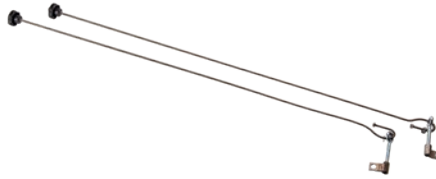
78



**End stop**

Grey ..... 12330  
White ..... 123301

79



**Set of brakes for activity rail**

..... 121664

80



**Suspension eye for activity rail**

..... 121662

81



**Positioning lock – single**

*Must not be used in systems with Combi-lock*

..... 562421

82



**Positioning lock – room covering**

*Must not be used in systems with Combi-lock*

Positioning lock – room covering ..... 562423

Positioning lock – complete system (room covering and single) ..... 562424

83



**Weight cart, electrical**  
**Incl. weights, 550 kg**

..... 290880

84



**Weight slice, 37 lbs (16.7 kg)**  
**for manual weight cart**

..... 558468

85



**Weight cart, manual**  
**Max 455 kg**

incl. 2 weight slices, 49.5 kg ..... 290851  
incl. 17 weight slices, 300 kg ..... 290850