



**Guldmann Inc.**  
 Tel. 800 664 8834  
 Tel. 813 880 0619  
 Fax 813 880 9558  
 info@guldmann.net  
 www.guldmann.net

## GLS5.2 Active lifter Technical specifications

### Functions

Lifting capacity, max : 155/205 kg

### Operation

Lift : Electric  
 Width adjustment : Electric  
 Knee support : Manual  
 Lifting boom : Manual

### Weight

Totally : 54 kg  
 Chassis without foot plate & knee pad : 23 kg  
 Mast and lifting boom incl. control box & battery : 20 kg  
 Hand control : 0.25 kg

### Measurements

A : 25 mm  
 B : 90 mm  
 C : 1770 mm  
 D : 1237 mm  
 E : 575 mm  
 F : 1210 mm  
 G : 460 mm  
 H min/max : 850/1740 mm  
 I min/max : 350/450 mm  
 J min/max : 560/1190 mm  
 K min/max : 670/1310 mm  
 L min/max : 230/320 mm

### Turning radius

Turning radius : 1360 mm

### Safety Features

Emergency stop : Yes  
 Emergency lowering : Yes, electronic. Mechanical on request  
 Protection against trapping : Yes

### Electrical parts

On/off : Automatically  
 Integrated Power supply for charging  
 Input : 120-240Vac, 50-60 Hz, 30 VA  
 Battery, replaceable : 25.2 V / 2.6 Ah  
 Charging time : Max. 4 hours  
 Consumption/power of actuator : 24V, max 8A  
 Duty Cycle : Max 10%, max. 2 min on, 18 min off.  
 Battery protection : Switches off automatically at low voltage. Diode light up to indicate critical voltage.

### Class of tightness

Mobile hoist : IP 30  
 Hand control : IPX 4  
 Integrated Power supply : IPX 6  
 Battery : IPX 6  
 Actuator : IPX 4

### Accessories/ Miscellaneous

: External charger

### Labelling

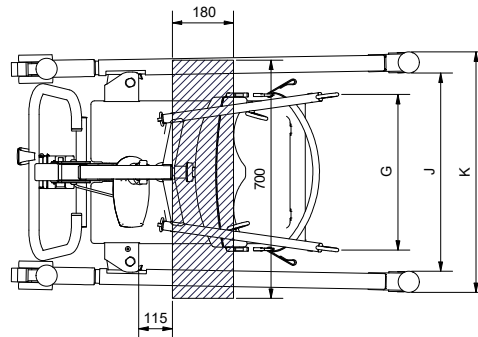
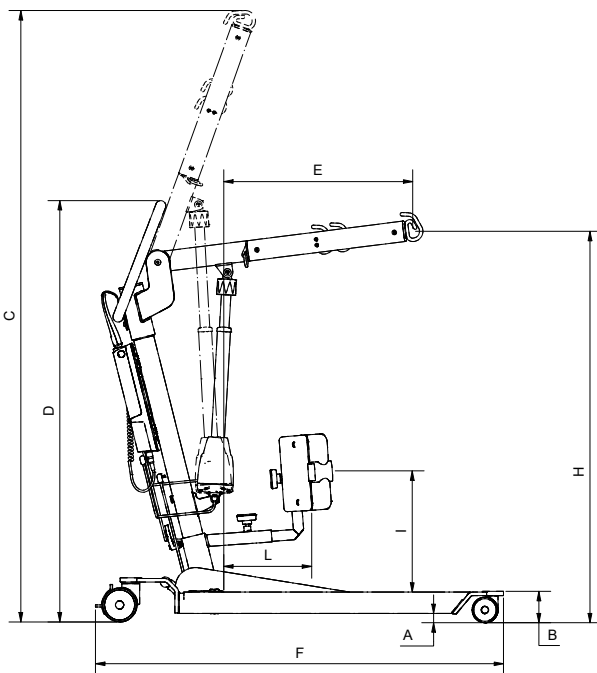
The product is manufactured in compliance with regulation (EU) 2017/745 of the European parliament and of the Council of 5 April 2017, as medical device Class I.

### Classified

Acc. to ISO 9999 : 12 36 03

### Item Number/Model

562200 : 155 kg  
 562201 : 205 kg



**Time to care**