



GH1 Q Lifting module Technical specifications

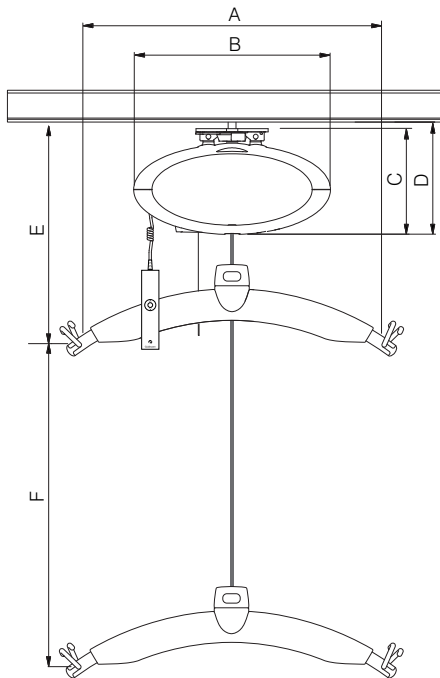
Weight and materials

SWL	: 175 kg, 205 kg, 255 kg
Own weight	: 8.0 kg

Covers : Impact-resistant UL 94 V-0 flame retardant recyclable plastic

Dimensions

A	: 580 mm
B	: 350 mm
C	: 187 mm
D	: 196 mm
E, min	: 427 mm
F	: 2500 mm
Depth of hoist	: 194 mm



Functions

Operation	: Hand control
Sound level	: 52 dB (A)

Safety

Emergency stop	: Yes
Emergency lowering device	: Yes, electrical
Control of lifting strap	: Yes
Cut-off angle	: 45° along the rail 10° across the rail

Electronics

On/off	: Automatic when used. Soft start/stop. Overload protection.
Battery	: 1 x 24 V NiMH, 2.1 Ah
Max charging time	: 3 hours
Battery protection	: At battery voltage below 22 V the indicator light turns yellow. The hoist stops if the voltage drops below 20 V
Power supply	: 36 V DC, 30W
Supply voltage, power supply	: 100-240V AC, 47-63 Hz

Protection classification (IP) according to IEC 60529

Lifting module	: IP 44
Hand control	: IP 44
Charging station	: IP 20
Power supply	: IP 20

Labelling

The product is manufactured in compliance with regulation (EU) 2017/745 of the European parliament and of the Council of 5 April 2017, as medical device Class I.

Classification

Pursuant to ISO 9999

Patents

: PA 2008 00888
: PA 2008 00894
: PA 2008 00895

Time to care



GH1 Q Lifting module Technical specifications

GH1 Q Lifting modules, configurations						Options										
Guldmann hoist type	Product line	Load in kg	Number of lifting straps	Number of lifting motors	Number of horizontal drive motors	IR remote	Service module	CLM module	Scale module	WiFi module	Class III scale	Trainer module	Coating	Excl. Turbospeed	UL	Charg. HC
GH1	(x)	xxx	x	x	x	Configuration code (xxxxx)										
GH1	Q	175	1	1	0											
		205	1	1	0											
		255	1	1	0											

Example: GH1 Q 205 110 (xxxxx)

GH1	Q	205	1	1	0	
						N/A
						1 lifting motor
						1 lifting strap
						Safe Working Load SWL: 205 kg
						Q
						Ceiling hoist, type GH1

Lifting speed

85 kg load : 40 mm/sec.
 150 kg load : 40 mm/sec.
 Max capacity load, SWL : 40 mm/sec.
 Max. 5 kg kg load : 40/80 mm/sec.

Number of lift and Intermittent

Max. number of lifts
 in series : 55 with 85 kg/1000 mm
 Charging time : 3 hours
 Intermittent : 4 min. ON/16 min. OFF

Max. number of lifts
 in series : 39 with 175 kg/1000 mm
 32 with 205 kg/1000 mm
 21 with 255 kg/1000 mm

Charging time : 3 hours
 Intermittent : 2 min. ON/18 min. OFF