



MALMET (AUSTRALIA) PTY LTD

Blanket and Fluid Warming Cabinets



Quality
ISO 9001
SAI GLOBAL



Queensland Distributor

 **Evocare**
www.evocare.com.au
Email: sales@evocare.com.au



Malmet Blanket Warming Cabinet 260 Litre

Reduce the risk of hypothermic reaction, post-operative discomfort and stress in patients. Blankets are gently heated to restore body temperature post surgery, and assist thermo-regulation. Blanket warming cabinets are recommended for Recovery, Maternity, General Ward, Specialist and Intensive Care Units.

Dimensions:	908mm H x 850mm W x 577mm D
Voltage:	240V, 2.8 Amps
Phase:	Single
Hertz:	50
Capacity	Up to 18 Blankets
Volume	260 litres
Set Temperature	60°C
Max temp setting:	60°C
Power consumption:	7.8kW 24 hr
Cabinet Stand:	615mm H x 850mm W x 526mm D
Floor bench skirt	80mm H x 850mm W x 526mm D

ARTG Certification 289497 Class 1



BWS

Malmet Fluid Warming Cabinet 260 Litre

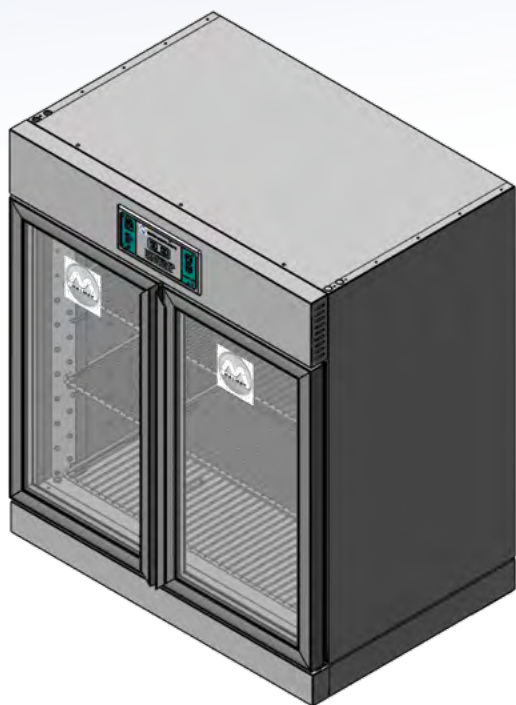
The only safe and accurate method of determining and maintaining saline, irrigation, glycine, parenteral and IPD fluid temperature to the manufacturer's recommendations. Fluid warming cabinets are essential in Maternity, Recovery, Theatre, Specialist and Intensive Care units.

Dimensions:	908mm H x 850mm W x 577mm D
Voltage:	240V, 2.8 Amps
Phase:	Single
Hertz:	50
Capacity	60 x 1 litre bags of fluid (or equivalent)
Volume	260 litres
Set Temperature	37°C
Max temp setting:	50°C
Power consumption:	7.8kW 24 hr
Cabinet Stand:	615mm H x 850mm W x 526mm D
Floor bench skirt	80mm H x 850mm W x 526mm D

ARTG Certification 188762 Class 1

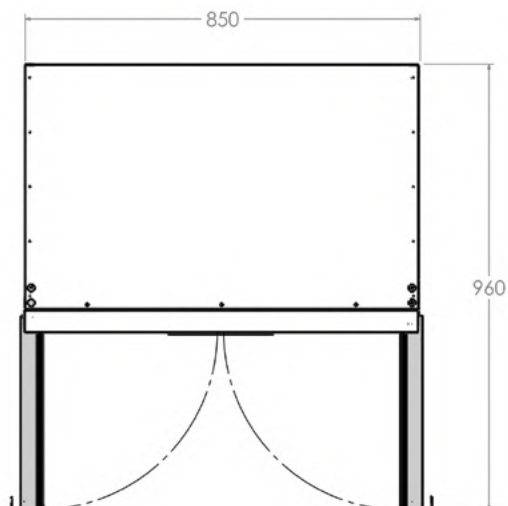
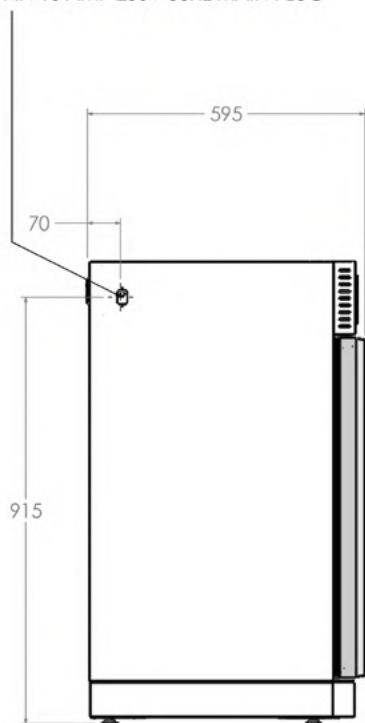


FWFB



Malmet Blanket Warming Cabinet 260 Litre

MAINS POWER SUPPLY CONNECTION
A CERTIFIED 2Mtr POWER CABLE IS SUPPLIED
FITTED WITH A 3 PIN 10 AMP 250V 50Hz MAIN PLUG





Malmet Blanket and/or Fluid Warming Cabinets 260 Litre

- Stainless steel construction with insulation cavity, exterior is cool to touch
- Double glazed doors for inventory monitoring
- Magnetic door closure
- Adjustable shelving: Suitable to store 1 litre and 2 litre bottles and bags
- Sensor plate for actual fluid temperature monitoring
- Capacity for up to 36 blankets or 120 x 1 litre bags of fluid (or equivalent)
- Volume - 260 litres (per cavity)
- Over temperature protection (5°C above setting) and temperature lock-out
- Fan-assisted convection heating
- Multi-purpose installation: Wall mounted, freestanding or with floor/bench skirt
- Castors (2 fixed, 2 swivel and lockable) optional
- Adjustable shelving:
 - Fluid: 4 wire shelves, bottom fixed
 - Blanket: 3 wire shelves

Models Available:

Blanket Models (ARTG Cert #289497 Class 1)

Product Code	Model No	Description
8-A00-83-100	BWM	MALMET BLANKET WARMING CABINET 260 Litre (WALL MOUNTED)
8-A00-83-102	BWS	MALMET BLANKET WARMING CABINET 260 Litre (WITH STAND)
8-A00-83-104	BWFB	MALMET BLANKET WARMING CABINET 260 Litre (WITH FLOOR / BENCH SKIRT)
8-A00-83-106	BWFC	MALMET BLANKET WARMING CABINET 260 Litre (FREESTANDING WITH CASTORS)

Fluid Models (ARTG Cert #188762 Class 1)

Product Code	Model No	Description
8-A00-84-100	FWM	MALMET FLUID WARMING CABINET 260 Litre (WALL MOUNTED)
8-A00-84-102	FWS	MALMET FLUID WARMING CABINET 260 Litre (WITH STAND)
8-A00-84-104	FWFB	MALMET FLUID WARMING CABINET 260 Litre (WITH FLOOR / BENCH SKIRT)
8-A00-84-106	FWFC	MALMET FLUID WARMING CABINET 260 Litre (FREESTANDING WITH CASTORS)

Warming Cabinets (Freestanding)

Product Code	Model No	Description
8-A00-86-101	BBWF	MALMET BLANKET / BLANKET WARMING CABINET 260 Litre x 2 (FREESTANDING)
8-A00-86-103	FFWF	MALMET FLUID / FLUID WARMING CABINET 260 Litre x 2 (FREESTANDING)
8-A00-86-105	FBWF	MALMET FLUID / BLANKET WARMING CABINET 260 Litre x 2 (FREESTANDING)
8-A00-86-107	BSWF	MALMET BLANKET WARMING / STORAGE CABINET 260 Litre x 2 (FREESTANDING)

Warming Cabinets (Freestanding with Castors)

Product Code	Model No	Description
8-A00-86-113	BBWFC	MALMET BLANKET / BLANKET WARMING CABINET 260 Litre x 2 (FREESTANDING WITH CASTORS)
8-A00-86-114	FFWFC	MALMET FLUID / FLUID WARMING CABINET 260 Litre x 2 (FREESTANDING WITH CASTORS)
8-A00-86-115	FBWFC	MALMET FLUID / BLANKET WARMING CABINET 260 Litre x 2 (FREESTANDING WITH CASTORS)
8-A00-86-116	BSWFC	MALMET BLANKET WARMING / STORAGE CABINET 260 Litre x 2 (FREESTANDING WITH CASTORS)
8-A00-86-117	FSWFC	MALMET FLUID WARMING / STORAGE CABINET 260 Litre x 2 (FREESTANDING WITH CASTORS)



FBWF



BSWF

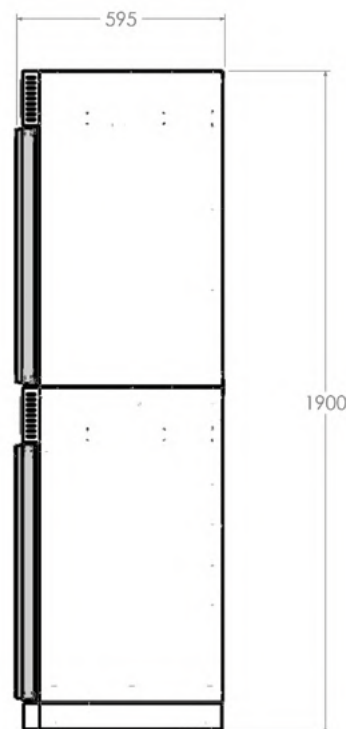
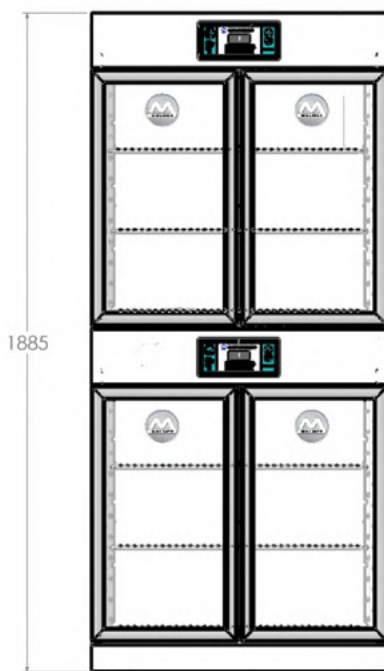
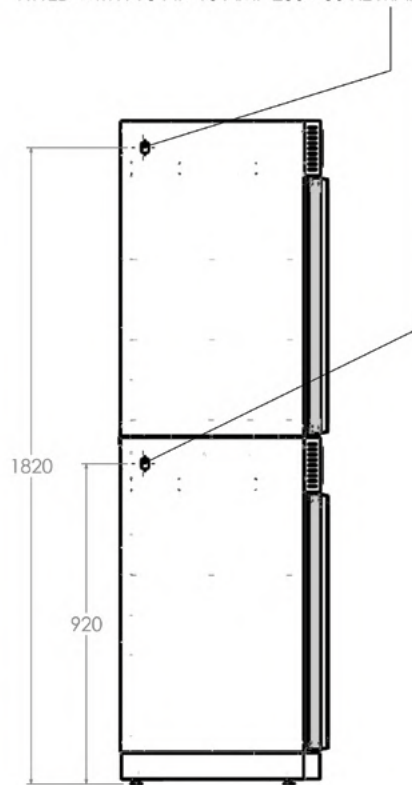
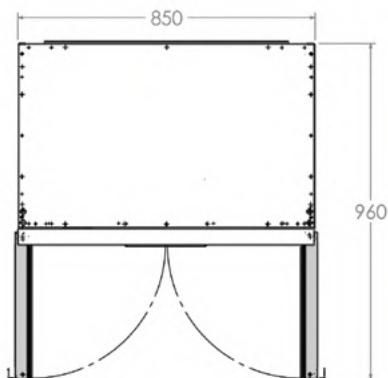


Malmet Blanket and/or Fluid Warming Cabinets 260 Litre Combination



ISO VIEW
SCALE 1:2

MAINS POWER SUPPLY CONNECTION
A CERTIFIED 2M POWER CORD SUPPLIED
FITTED WITH A 3 PIN 10 AMP 250V 50 Hz MAIN PLUG





Malmet Warming Cabinet 420 Litre

- Stainless steel construction with insulation cavity, exterior is cool to touch
- Double glazed doors for inventory monitoring
- Magnetic door closure
- Adjustable shelving: Suitable to store 1 litre and 2 litre bottles and bags
- Sensor plate for actual fluid temperature monitoring
- Capacity for up to 30 blankets or 91 x 1 litre bags of fluid (or equivalent)
- Volume - 420 litres
- Over temperature protection (5°C above setting) and temperature lock-out
- Fan-assisted convection heating
- Castors (2 fixed, 2 swivel and lockable) optional
- Adjustable shelving:
 - Fluid: 7 wire shelves, bottom fixed
 - Blanket: 6 wire shelves



FWTFC

Models Available:

Blanket Models

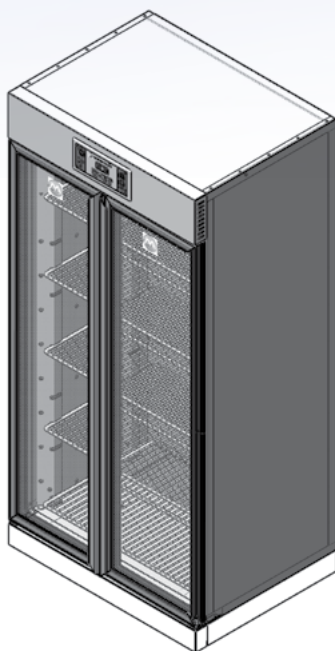
Product Code	Model No	Description
100-1000	BWTFB	MALMET BLANKET WARMING CABINET 420 Litre (WITH FLOOR / BENCH SKIRT)
100-1001	BWTFC	MALMET BLANKET WARMING CABINET TALL 420 Litre (FREESTANDING WITH CASTORS)

ARTG Certification 289497 Class 1

Fluid Models

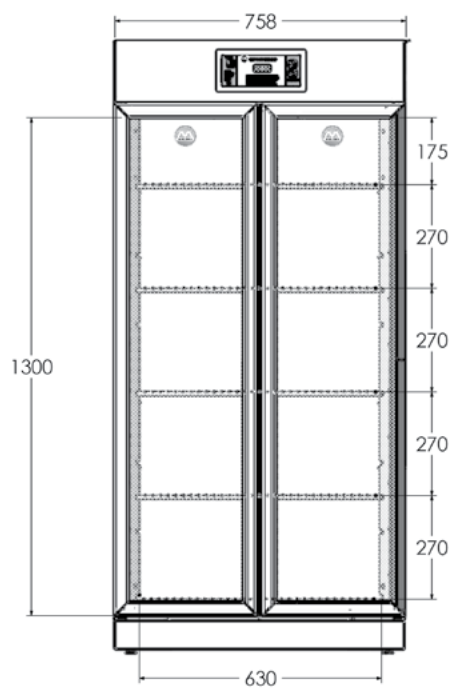
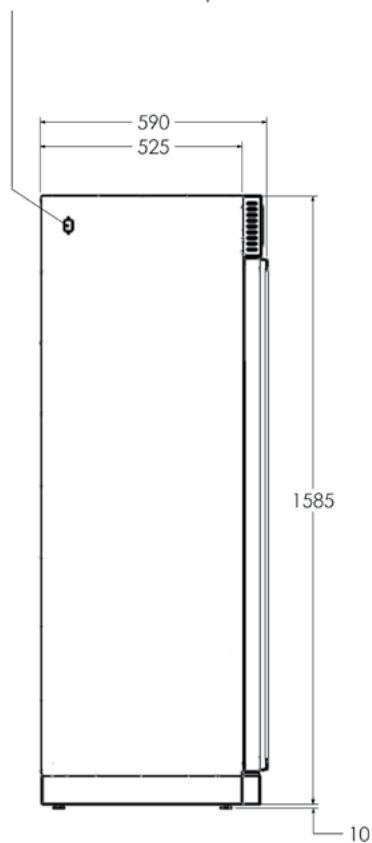
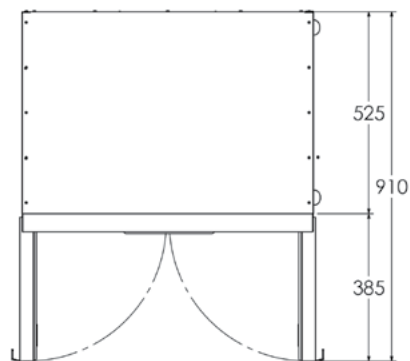
Product Code	Model No	Description
100-1100	FWTFB	MALMET FLUID WARMING CABINET 420 Litre (WITH FLOOR / BENCH SKIRT)
100-1101	FWTFC	MALMET FLUID WARMING CABINET 420 Litre (FREESTANDING WITH CASTORS)

ARTG Certification 188762 Class 1



Malmet Warming Cabinet 420 Litre

MAINS POWER SUPPLY CONNECTION
A CERTIFIED 2Mtr POWER CABLE IS SUPPLIED
FITTED WITH A 3 PIN 10 amp 250 Vac. 50Hz MAIN PLUG



0050050



MALMET (AUSTRALIA)
PTY LTD

**EXTENDED
WARRANTY**

New Product

105L – Blanket and/or Fluid Warmer

Designed for:

- Facilities with limited space
- Day surgeries
- GP Clinics
- Aged Care
- Laboratories
- Facilities with low demand
- Flexible solution

Malmet has added a benchtop warming cabinet to the existing warming cabinet family of products. As with all Malmet products the 105 Litre warming cabinet comes with a 2 year parts and labour warranty*

For further information contact your local Business Development Manager or Customer Service.



*For full terms and conditions and warranty statement see the Malmet website.



Supporting Australian
Manufacturing/Jobs/Families

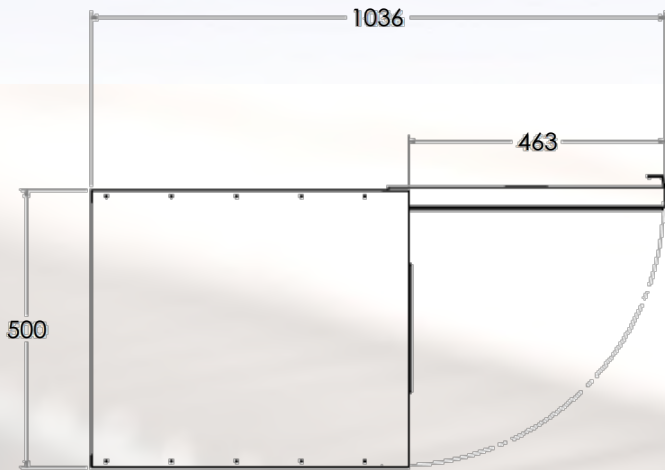
Queensland Distributor

 **Evocare**
www.evocare.com.au
Email: sales@evocare.com.au

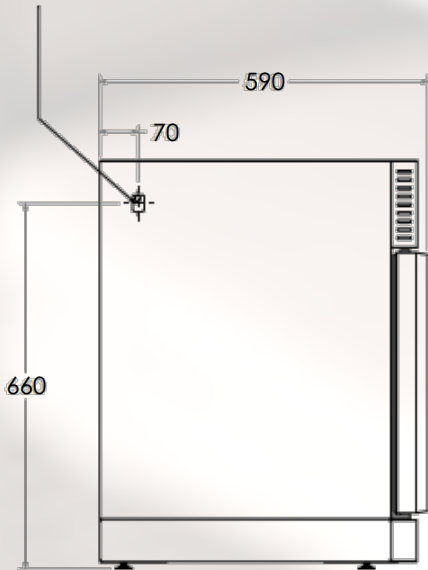
Issue: 0519-01



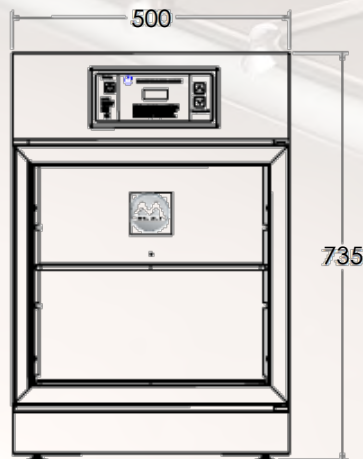
Technical Specifications



MAINS POWER SUPPLY CONNECTION
A CERTIFIED 2Mtr POWER CABLE IS SUPPLIED
FITTED WITH A 3 PIN 10 AMP 250V 50Hz MAIN PLUG



Volume	105 Litre
Power Requirement	240V, 2.8A, 1Ø
Capacity Blanket	4 Standard
Capacity Fluid	20 Litre
Temperature Blanket	60°C
Temperature Fluid	37°C
ARTG Certification Blanket	289497
ARTG Certification Fluid	188762



Malmét is a privately owned and operated Australian family business belonging to the Celi Group of Companies.

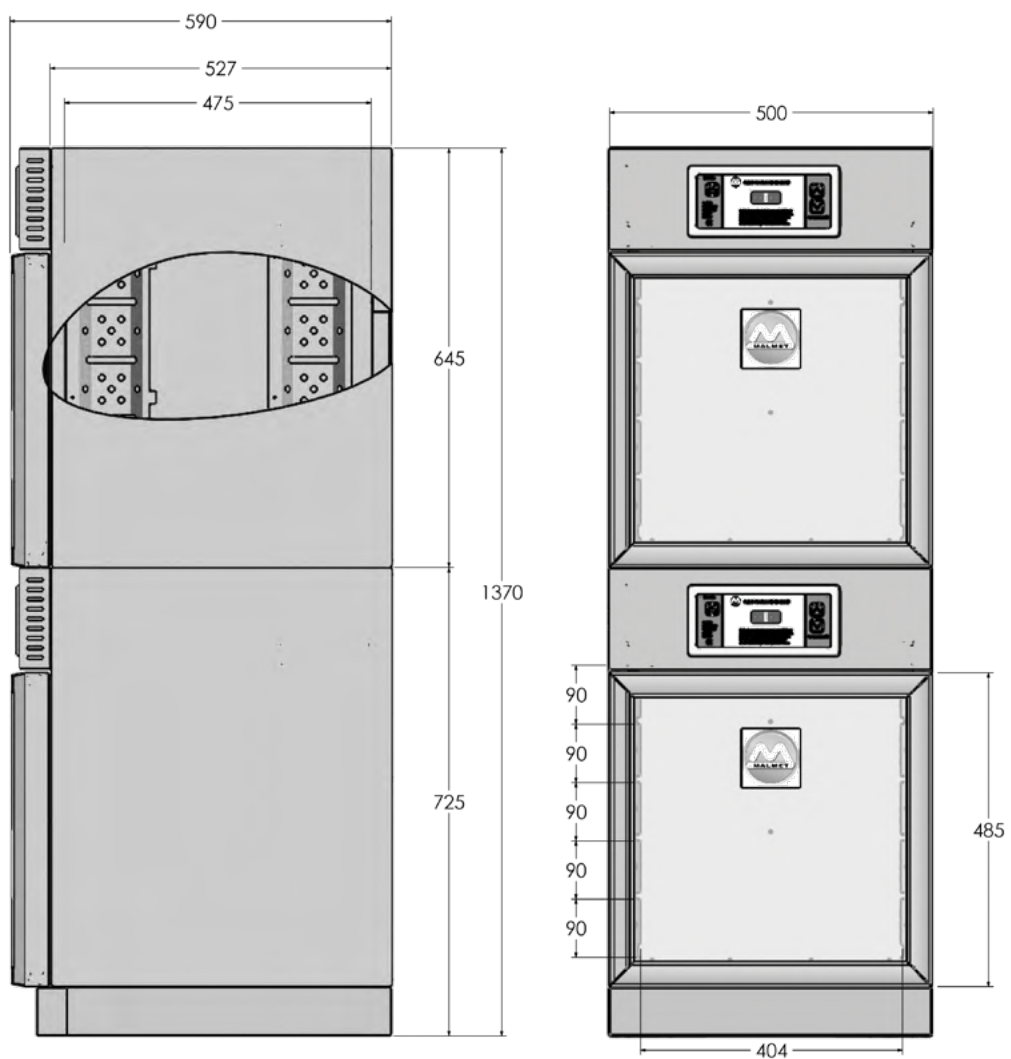
Malmét has been manufacturing hospital and aged care equipment since 1969, and supplies hospitals and nursing homes throughout Australia and overseas through a comprehensive network of distributors and agents.

All Malmét products are manufactured in Leeton, NSW. The Leeton site is ISO 9001:2015 and ISO 13485:2016 certified.





Malmet Warming Cabinet 105 Litre



Product Range



Tall Warming Cabinet
FWTFC

Malmet Instrument and Anaesthetic Apparatus Drying Cabinet
DC12

Malmet Fluid and Blanket Warming Cabinet
FBWFC

Malmet Blanket Warming Cabinet - with Stand
BWS



Malmet Utensil/Bowl Washer Disinfector, Top Loading
WDT2



Malmet Bedpan/Urinal Bottle Washer Disinfector
ES-D



Malmet Bedpan/Urinal Bottle and Utensil/Bowl Washer Disinfector
WDS



Malmet Rack (for Bedpan & Urinal Bottles with Wall Plate & Drip Tray)
BR6-PR6 + WT

National Head Office & Customer Service

For Correspondence:
9-11 McKay, Leeton, NSW 2705 Australia

General Sales, Service, Export Enquiries & Accounts

Ph. +61 2 6953 7677 Email: info@malmet.com.au

Warning:
This brochure contains general information only. If you require accurate dimensions or any other details which may affect your installation, please contact Malmet. E.&O.E. In the interest of continued product improvement, Malmet reserves the right to alter design and product specifications without notice. E.&O.E. For further information on warranty terms and conditions, please refer to Malmet's Warranty Statement.

MEDICAL RECEPTACLES SHOWN IN ALL PHOTOS ARE NOT INCLUDED WITH UNITS.

PBL005 0119

