



Head Office & Customer Service

McKay Avenue PO Box 373
LEETON NSW 2705 LEETON NSW 2705
Phone: (02) 6953 7677 Fax: (02) 6953 6266
Email: inquiries@malmet-us.com.au

ABN 95 001 717 791

A.B.N. 98 078 566 604

Trading as **EVO CARE** and **L&M EQUIPMENT**

P.O. Box 1144, Stafford Qld. 4053

Ph: 07 3355 8000 Fax: 07 3355 5043

Website: <http://www.evocare.com.au>

E-Mail: sales@evocare.com.au

workshop@evocare.com.au



Quality
ISO 9001

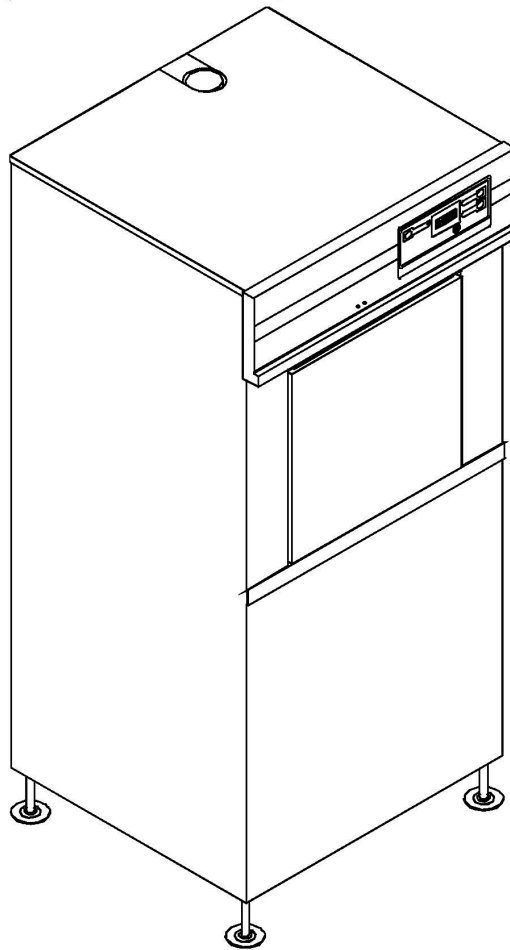
Bed Pan / Flusher Sanitizer

FS SERIES

(For Models FS510, FS512, FS520, FS522, FS530 & FS532)

E SERIES

(For Models E5F, E5C & E5CV)



Spare Parts Catalogue

'Due to Malmet's policy of continuous product improvement, information in this document may change without notice.'

Table of Contents

Contents	Page
<i>Main Assembly</i>	3
<i>Door Axle</i>	5
<i>Door Assembly</i>	6
<i>Hot Water Pump</i>	7
<i>Cold Water Pump</i>	8
<i>Hot Water Tank</i>	9
<i>Cold Water Tank</i>	11
<i>Ball Valve ½" BSP</i>	12
<i>Water Distribution</i>	13
<i>Spray Domes</i>	15
<i>Bottlehooks</i>	16
<i>Hoses</i>	17
<i>Hose Malmet 2</i>	18
<i>Hose Malmet 3</i>	19
<i>Hose Malmet 5</i>	20
<i>Mains Entry Box</i>	21
<i>Instrument Panel – Kits / Assemblies FS Series</i>	22
<i>Instrument Panel – Kits / Assemblies E Series</i>	23
<i>Door Lock Mechanism</i>	22-23
<i>Miscellaneous Fasteners</i>	24
<i>Manufactured Materials/Spare Parts</i>	24

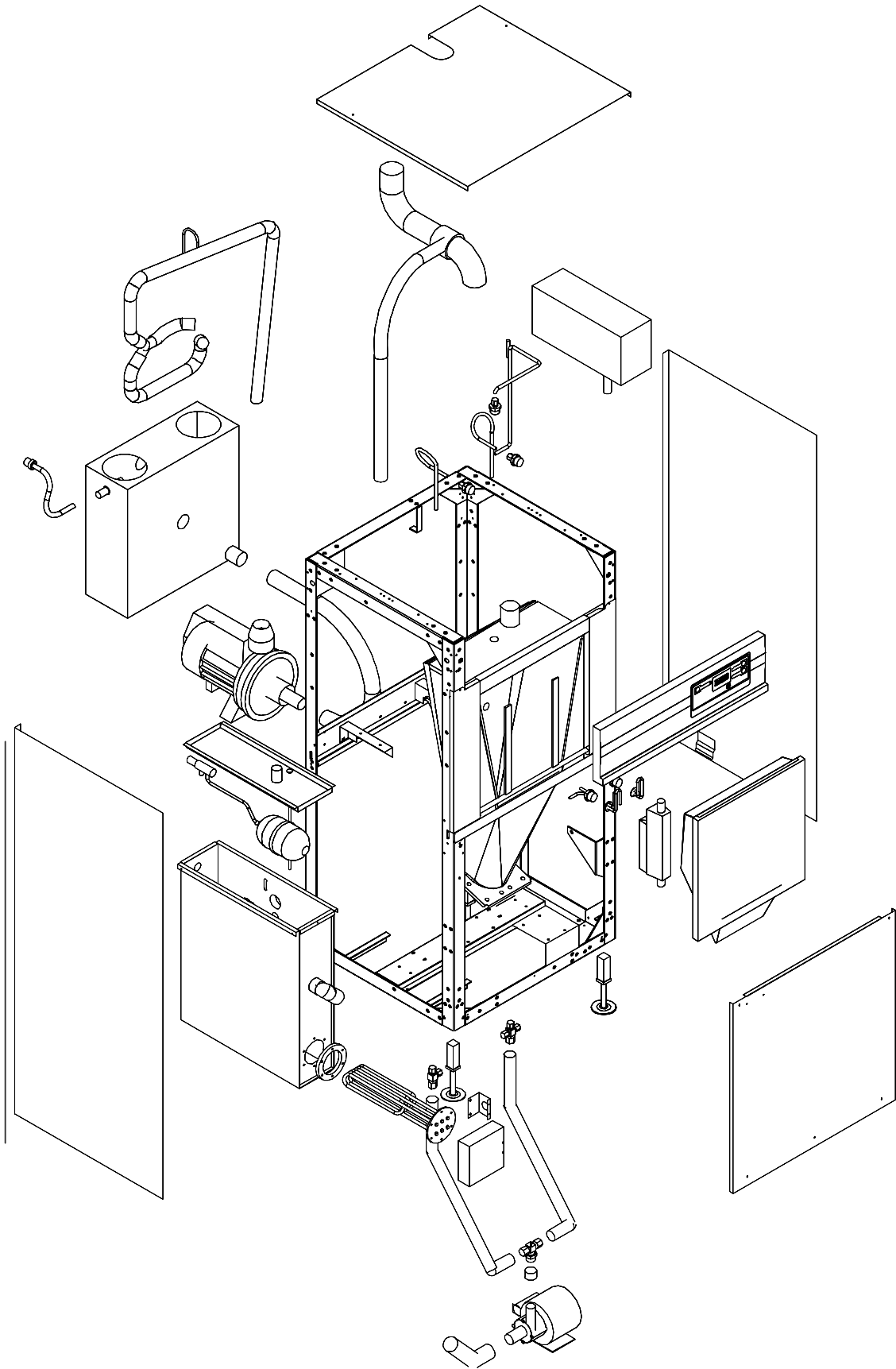
In the interest of continued product improvement, MALMET (AUSTRALIA) PTY LTD reserves the right to alter specifications without notice. E. & O. E.

Text and illustration © Copyright MALMET (AUSTRALIA) PTY LTD 2009

All rights reserved. No part of this document may be reproduced or transmitted in any form or by any means, electronic or mechanical, including photocopying, recording or by an information storage and retrieval system, without prior permission in writing from Malmet (Australia) Pty Ltd.



Spare Parts Catalogue





Spare Parts Catalogue

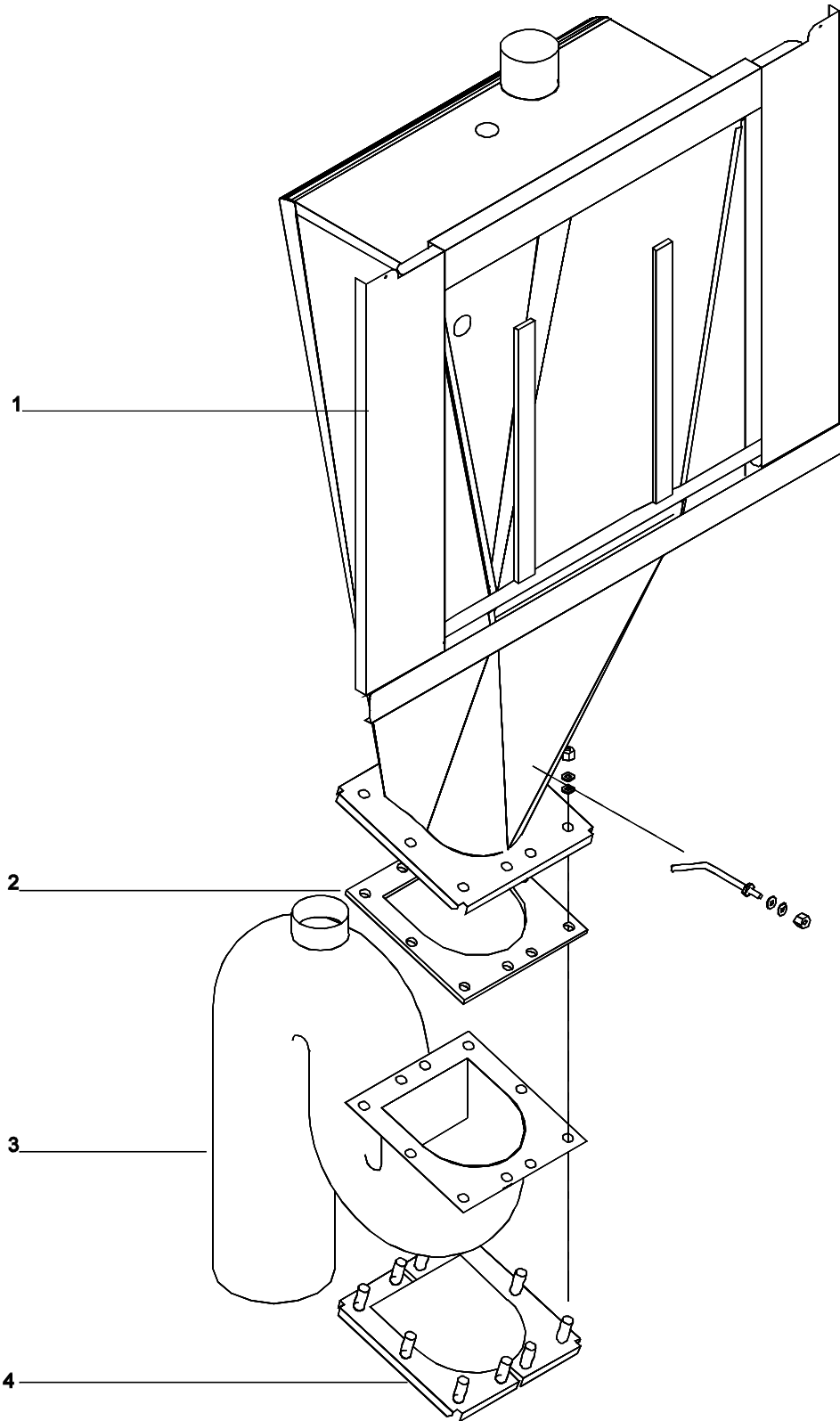
Main Assembly:

(See Diagram 1)

1	Front Panel & Body Assembly	8-K00-82-009SP	1
2	Gasket Trap Neoprene 4.5	82-8105SP	1
3	Trap 'S' – Rota Moulded	82-8381SP	1
	Trap 'P' – Rota Moulded	82-8385SP	1
4	Clamping Flange Assembly S & P Trap	8-K00-82-023SP	1
5	Door Lever Bar (Not Shown)	8-M00-82-188SP	1
6	Anti Block Peg Assembly Complete	8-K00-82-013SP	1



Spare Parts Catalogue



Dwg: BODY21

Diagram 1

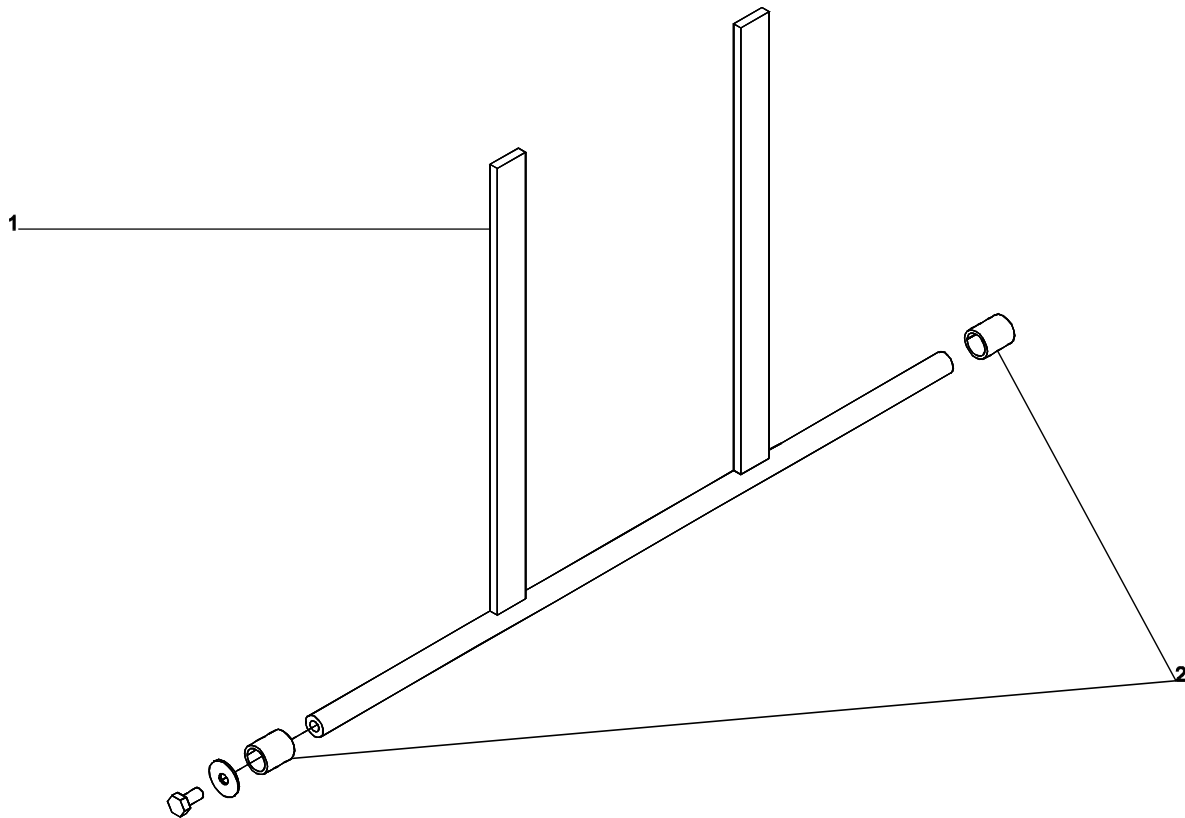


Spare Parts Catalogue

Door Axle:

(See Diagram 2)

1	Door Axle Bar	8-M00-82-297SP	1
2	Bush Sintalite AJ2 1/2" x 5/8" x 3/4"	82-4321SP	2



Dwg: DOORAXL1

Diagram 2

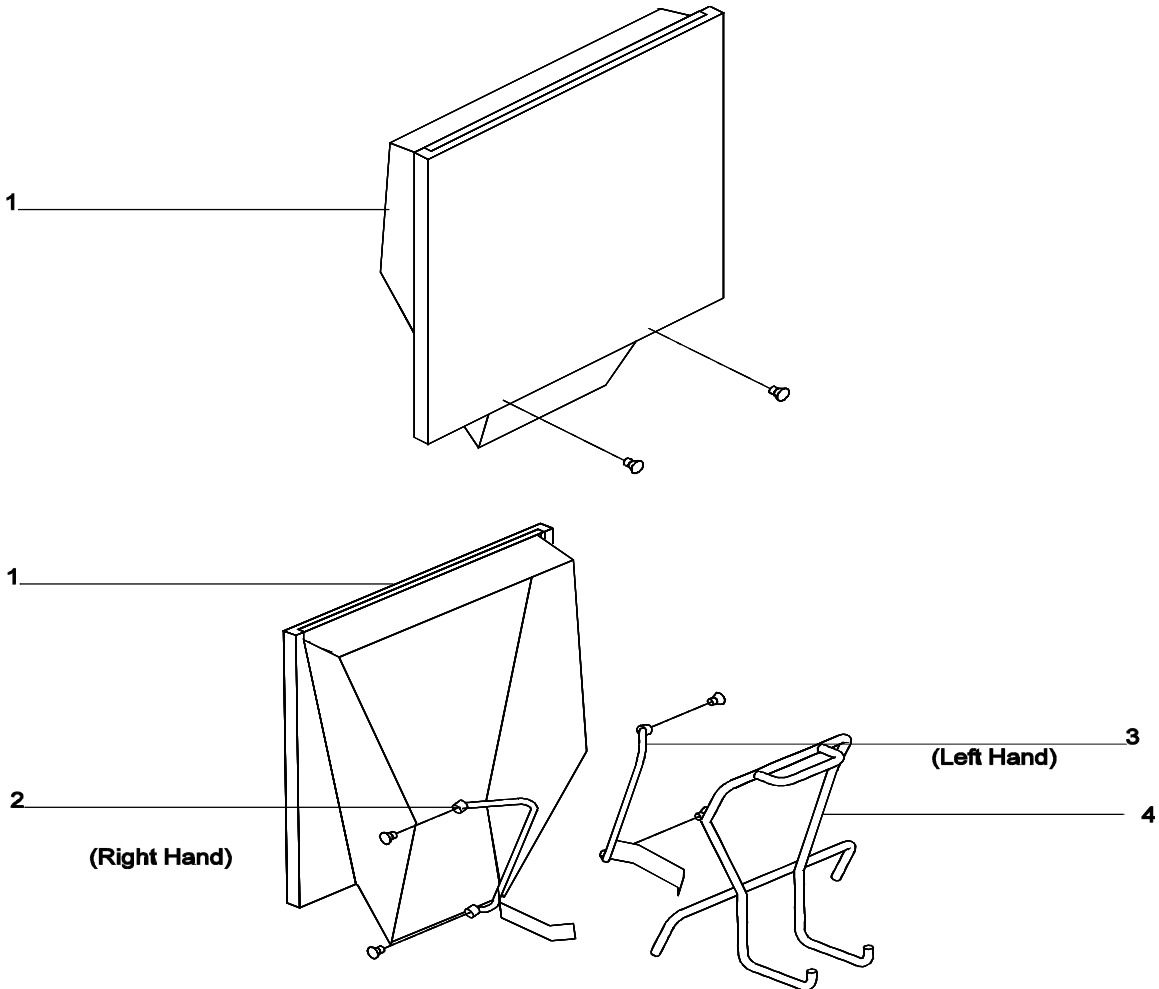


Spare Parts Catalogue

Door Assembly:

(See Diagram 3)

1	Door Assembly	8-K00-82-011SP	1
	Pan Rack Right Hand Complete (includes No 2, No 5 x 2)	8-K00-82-115SP	1
	Pan Rack Left Hand Complete (Includes No 3, No 5 x 2)	8-K00-82-116SP	1
2	Pan Rack Right Hand	822-4273SP	1
3	Pan Rack Left Hand	822-4271SP	1
4	Slipper Pan Rack	822-4281SP	1
5	Sanitizer Door	822-4400SP	1



Dwg: DOOR1

Diagram 3

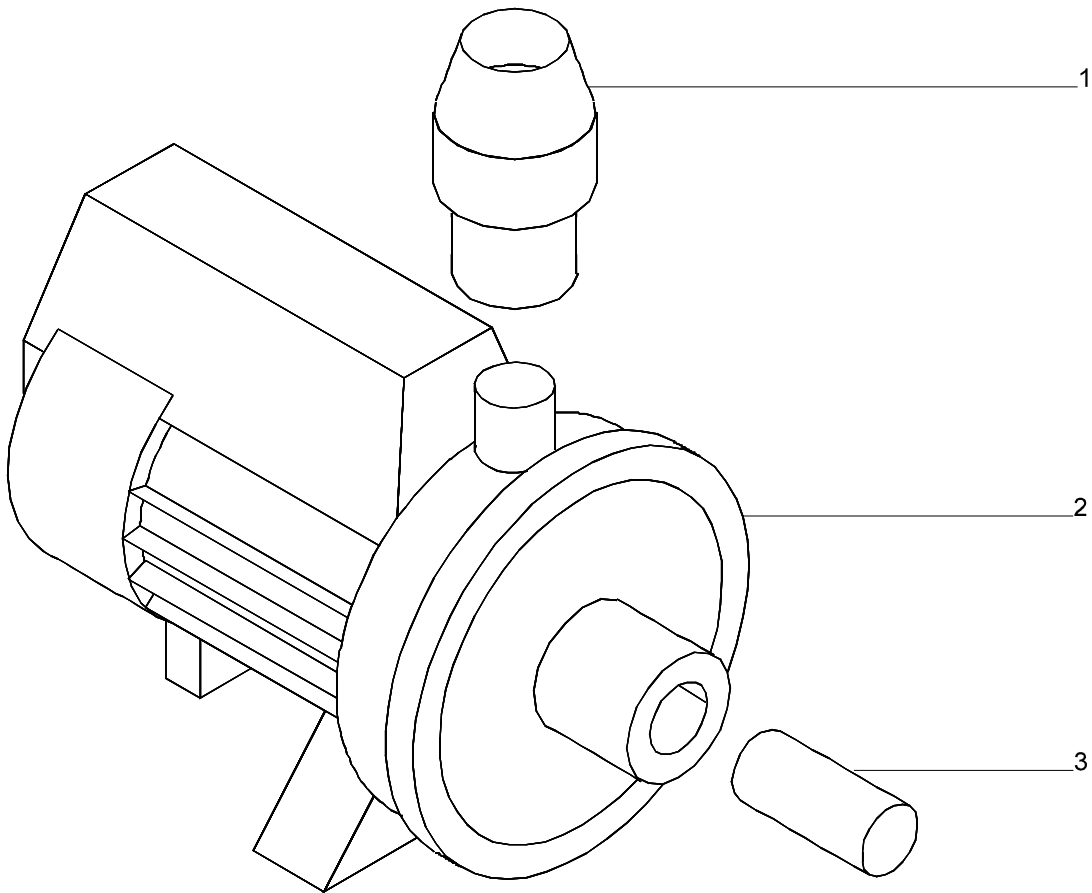


Spare Parts Catalogue

Cold Water Pump:

(See Diagram 5)

	Cold Water Pump Assembly (Includes No 1-3)	8-K00-82-014SP	1
1	Nut & Tail HD 1" Plastic	82-8196SP	1
2	Pump Davey XF171H	82-1011SP	1
3	Hosetail 1" MI 1 ¼" D11410	82-8197SP	1



Dwg: Coldpump

Diagram 5



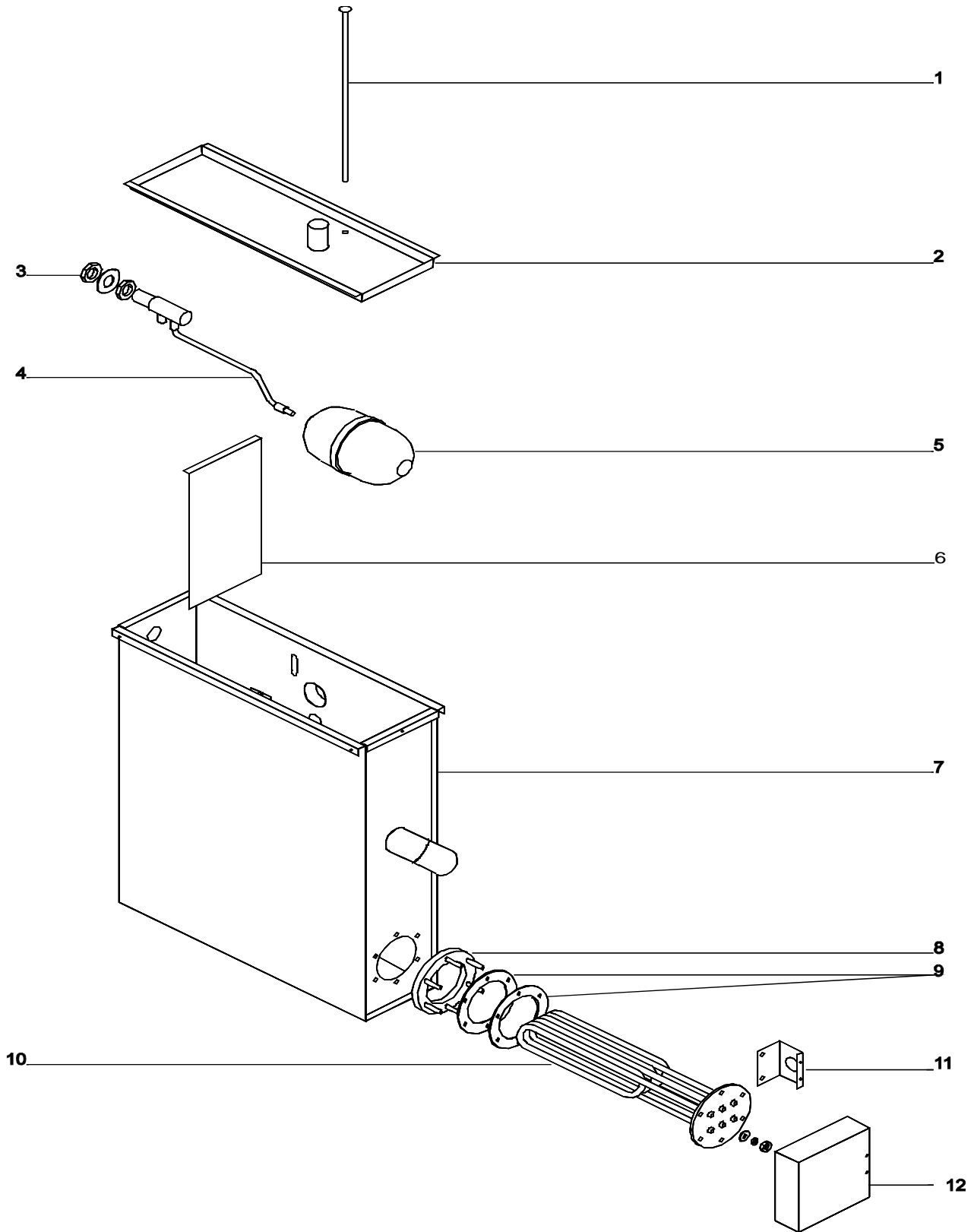
Spare Parts Catalogue

Hot Water Tank:

	Hot Water Tank Assembly 13.6KW Stainless Steel (Includes No 2-15)	8-K00-82-028SP	1
	Hot Water Tank Assembly 16.6KW Stainless Steel (Includes No 2-15)	8-K00-82-027SP	1
	Hot Water Tank Assembly 13.6KW Copper (Includes No 2-15)	8-K00-82-048SP	1
	Hot Water Tank Assembly 16.6KW Copper (Includes No 2-15)	8-K00-82-047SP	1
	Element 13.6KW Complete (Includes No 8-10, 12-14)	8-K00-82-132SP	1
	Element 16.6KW Complete (Includes No 8-10, 12-14)	8-K00-82-133SP	1
1	Hot Tank Sensor	82-2261SP	1
2	Lid HWT SS E & FS Sani	8-M00-82-835SP	1
	Lid HWT Copper	8-M00-82-637SP	1
3	Back Nut Brass ½"	8-5379SP	1
4	Ball Valve ½" BSP (See Page 12)	82-8025SP	1
5	Ball Float White 100mm	82-8004SP	1
6	Weir Plate (Electric)	8-M00-82-100SP	1
7	Hot Water Tank Stainless Steel	8-M00-82-236SP	1
	Hot Water Tank Copper	8-M00-82-636SP	1
8	Element Flange RN8300/B	82-2497SP	1
9	Element Gasket Neoprene 1.6	82-8100SP	2
10	Element 13.6kW Only	82-2498SP	1
	Element 16.6kW Only (Optional)	82-2507SP	1
11	Element Electrical Wire Bracket	8-M00-82-296SP	1
12	Element Cover	8-M00-82-295SP	1
13	Copper Element Bridge (Not Shown)	8-M00-82-135SP	1
14	Conversion HWT Electric/Steam (Suits New Back Flow Tank)	8-K00-82-225SP	1



Spare Parts Catalogue



Dwg: HOTTANK1

Diagram 6



Spare Parts Catalogue

Cold Water Tank:

(See Diagram 7)

	Tank Cold Water Complete (Includes No 1, 5-8)	8-K00-82-015SP	1
1	Plastic Cap CP1072	82-8379SP	2
2	Cold Water Entry Pipe	8-M00-82-525SP	1
3	Ball Float White 100mm	82-8004SP	1
4	Ball Valve ½" BSP (See Page 12 for Breakdown)	82-8025SP	1
5	Backnut Brass ½"	8-5379SP	1
6	Tank Cold Water Plastic	82-8377SP	1
7	Conversion CWT Std Only (Suits New Back Flow Tank)	8-K00-82-230SP	1

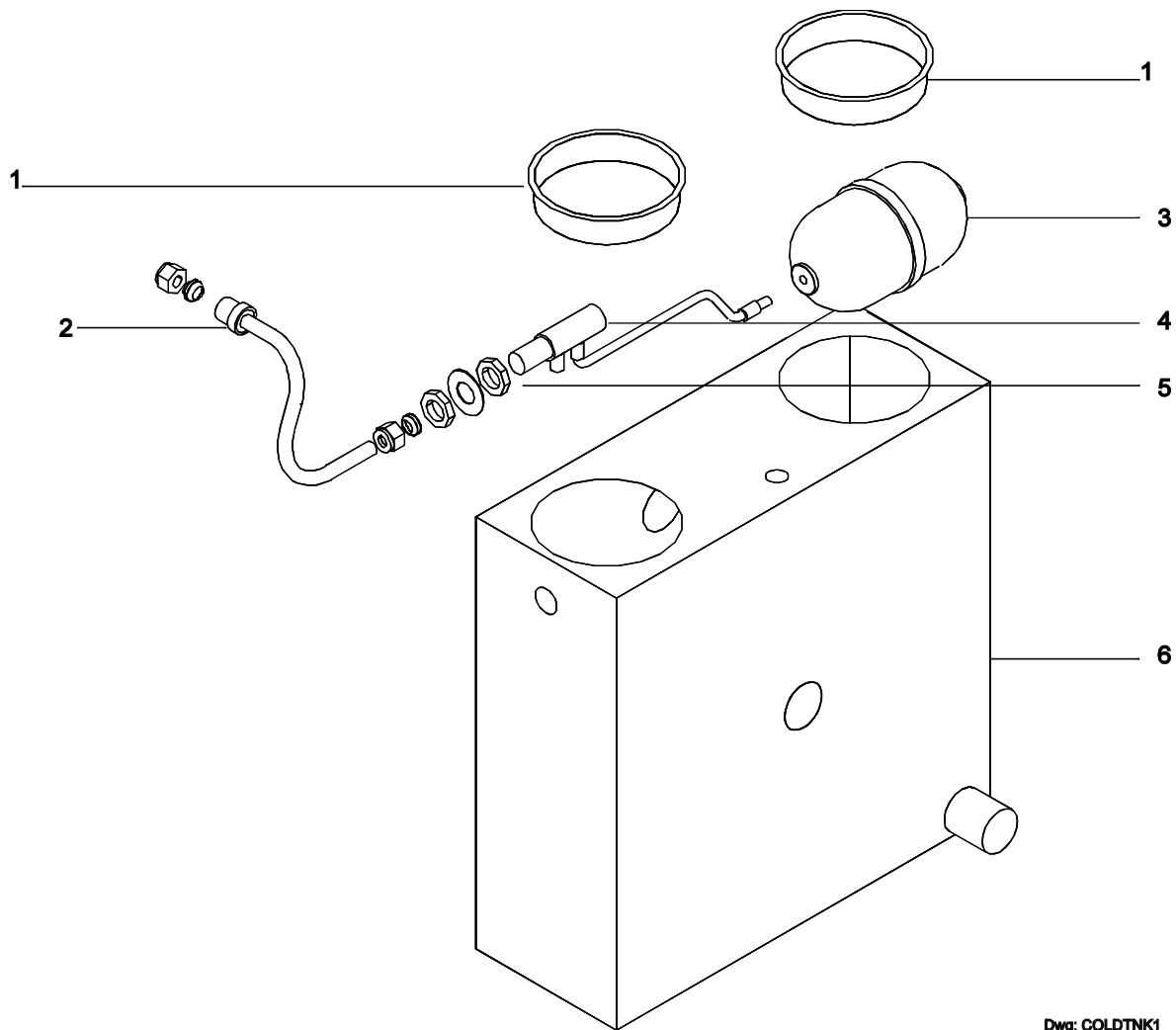


Diagram 7

Dwg: COLDTNK1

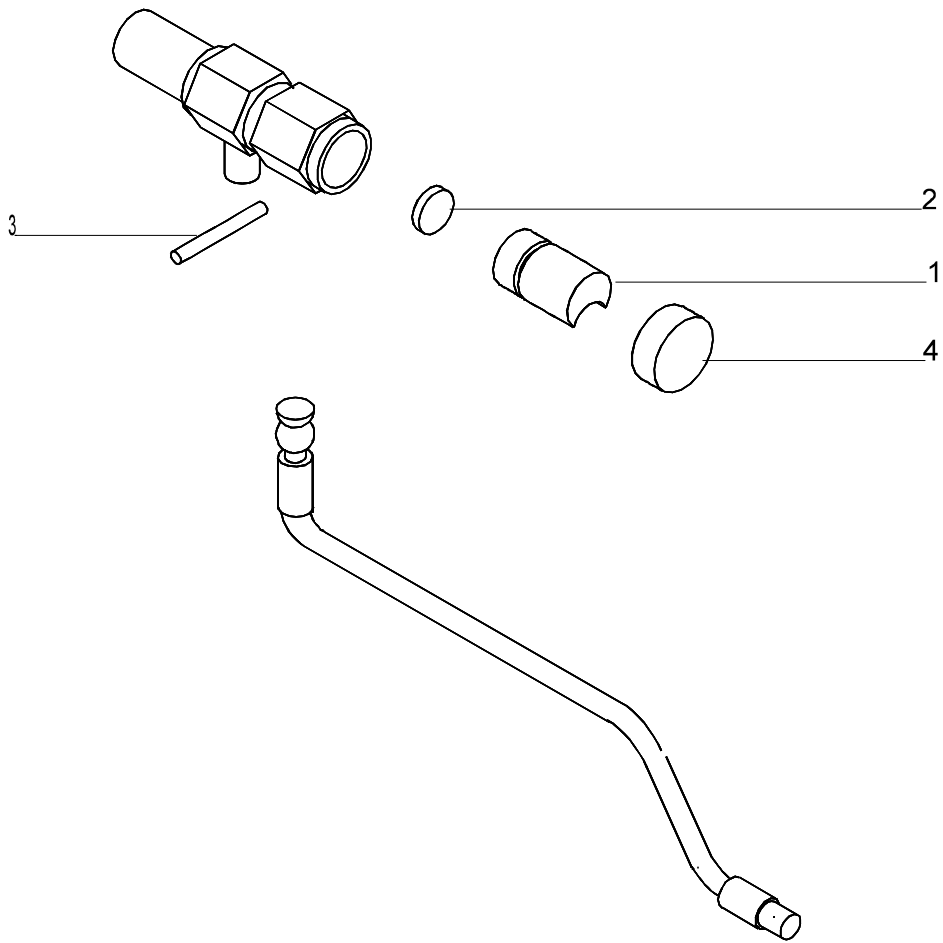


Spare Parts Catalogue

Ball Valve 1/2" BSP:

(As per pages 9 & 11 – See Diagram 8)

	Ball Valve 1/2" BSP	82-8025SP	1
1	Ball Valve 1/2" Plunger	82-8030SP	1
2	Ball Valve 1/2" Seatwasher	82-8031SP	1
3	Ball Valve 1/2" Pivot Pin	82-8032SP	1
4	Ball Valve 1/2" Body Cap	82-8033SP	1



Dwg: Float

Diagram 8



Spare Parts Catalogue

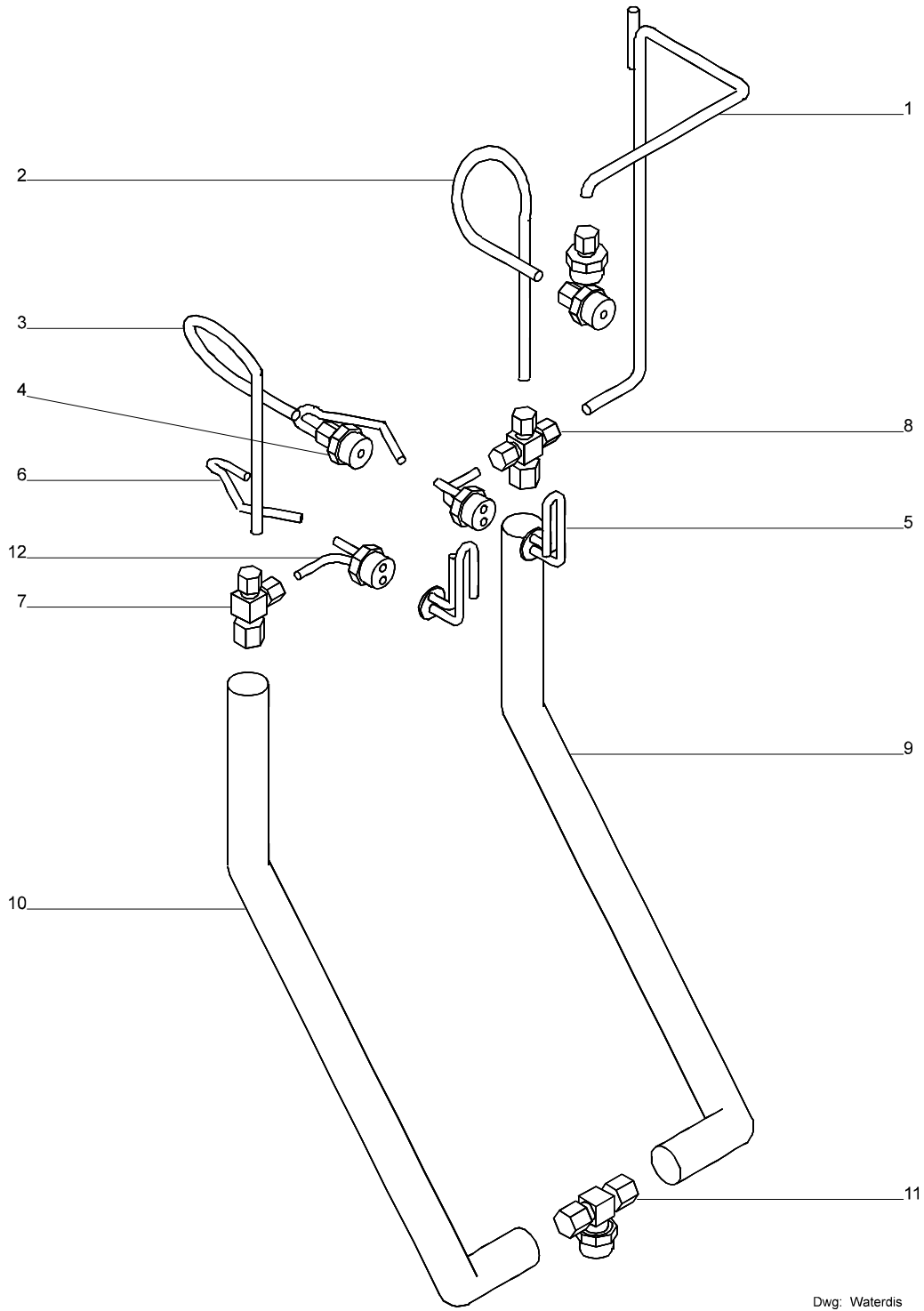
Water Distribution:

(See Diagram 9)

1	Centre Spray Pipe & T2 Sensor Pipe	8-M00-82-510SP	1
2	Spray Pipe RH	8-M00-82-505SP	1
3	Spray Pipe LH	8-M00-82-500SP	1
4	Spray Backfitting - One Hole (See Page 15)		
5	Bottle Hooks (See Page 16)		
6	Tube – Cold Water Flush to Bottle Hook	8-M00-82-535SP	2
7	Tee Piece Bronze $\frac{5}{16}$ " x $\frac{1}{4}$ " x $\frac{1}{2}$ "	82-4400SP	1
8	Cross Bronze $\frac{5}{16}$ " x $\frac{5}{16}$ " x $\frac{1}{4}$ " x $\frac{1}{2}$ "	82-4405SP	1
9	Delivery Tube RH	8-M00-82-520SP	1
10	Delivery Tube LH	8-M00-82-515SP	1
	Delivery Tube Insulation	8-M00-82-516SP	2
11	Tee Branch Male $\frac{1}{2}$ " x $\frac{1}{2}$ " x 1" BSP	82-4601SP	1
12	Spray Backfitting – 2 Hole (See Page16)		



Spare Parts Catalogue



Dwg: Waterdis

Diagram 9

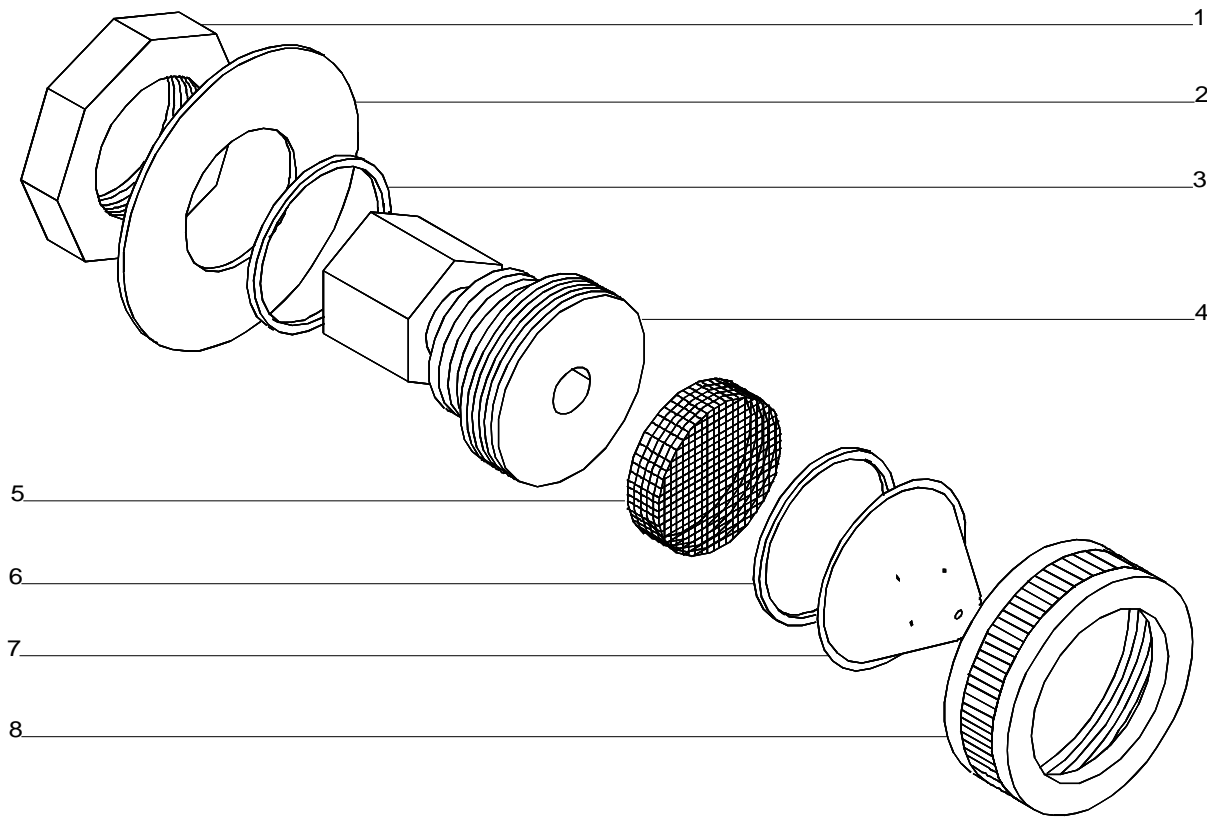


Spare Parts Catalogue

Spray Domes:

(See Diagram 10)

1	Backnut Brass ½" BSP	8-5379SP	3
2	Washer S/S 1½" OD	8-M00-82-105SP	3
3	Washer Copper/Asbestos	8-5764SP	3
4	Spray Backfitting – One Hole	82-4541SP	3
5	Mesh SS 30mm x 30mm	822-4461SP	3
6	"O" Ring Lurene	82-8311SP	3
7	Spray Dome	822-4310SP	3
8	Nut Chromed 1" Knurled	8-5528SP	3
9	Replacement Spray Set (Includes No 5, 6, 7 & 8)	822-4330SP	3



Dwg: Sprayex

Diagram 10



Spare Parts Catalogue

Bottle Hooks:

(See Diagram 11)

	Spray Fitting Complete LH (Includes No. 1-4)	8-K00-82-136SP	1
	Spray Fitting Complete RH (Includes No. 1-4)	8-K00-82-137SP	1
1	Backnut Brass 1/2" BSP	8-5379SP	2
2	Washer S/S 1 1/2" OD	8-M00-82-105SP	2
3	Washer Copper/Asbestos	8-5764SP	2
4	Spray Backfitting – Two Hole LH	8-M00-82-565SP	1
	Spray Backfitting – Two Hole RH	8-M00-82-570SP	1
5	Gasket Insertion	82-8131SP	2
6	Bottle Hook LH	822-4385SP	1
	Bottle Hook RH	822-4386SP	1
7	Nut Chromed 1" Knurled	8-5528SP	2
	Bottle Hooks Complete Set	822-4381SP	1
8	Non Spill Urinal Bottle RH Hook (Non Std)	8-M00-82-243	1

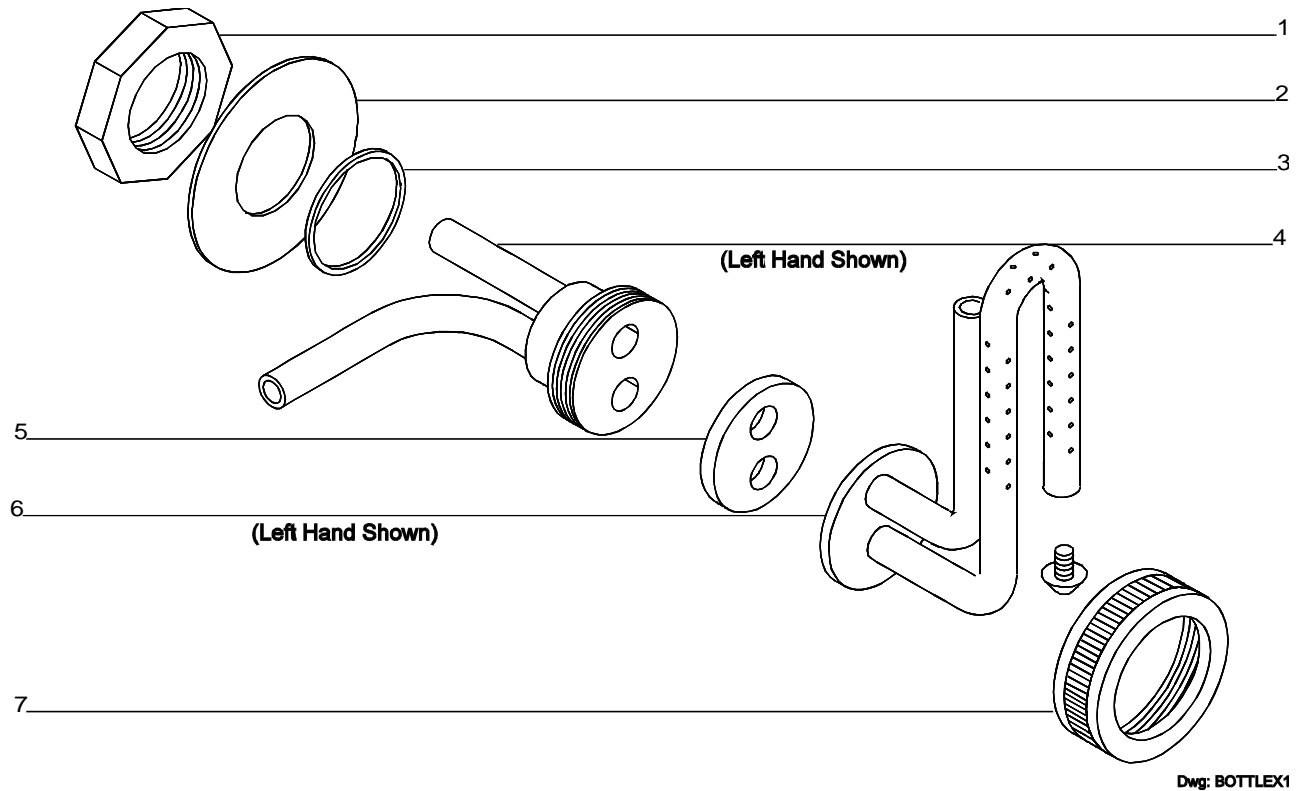


Diagram 11

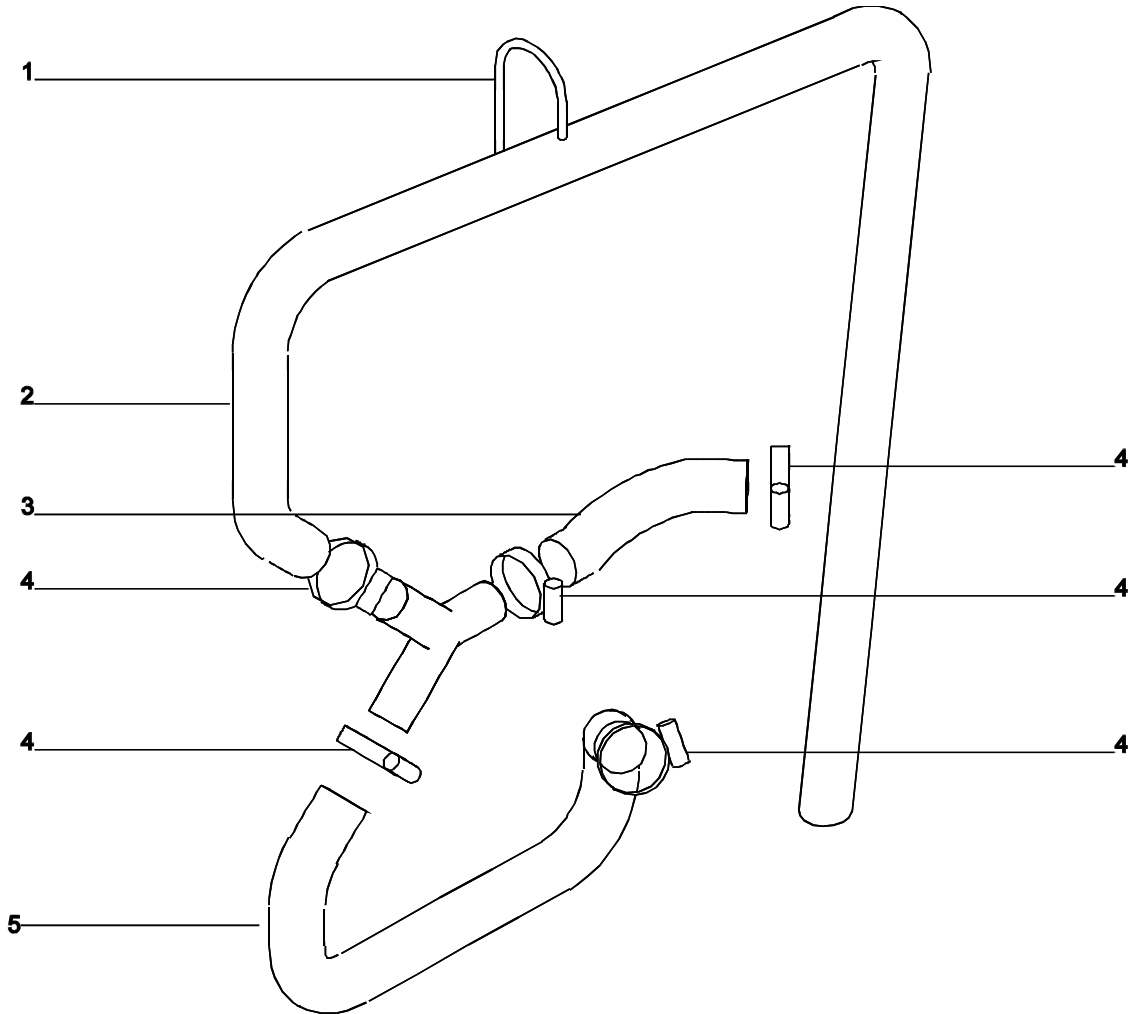


Spare Parts Catalogue

Hoses:

(See Diagram 12)

1	Anti Syphon Tube	8-M00-82-530SP	1
	Cold Water Flush Pipe Assembly (Includes No 2-6)	8-K00-82-016SP	1
2	Hose – Cold Pump to ‘Y’ Piece	8-M00-82-545SP	1
3	Hose – ‘Y’ to Flush Cone (120mm)	8-M00-82-555SP	1
4	Clamp Hose S/S 25-40mm	8-5835SP	5
5	Hose – ‘Y’ to Flush Cone (600mm)	8-M00-82-550SP	1
6	Hose – Cold Pump to ‘Y’ Piece CV (Replaces No. 2 for CV Unit Only)	8-M00-82-546SP	1



Dwg: PIPECOL1

Diagram 12

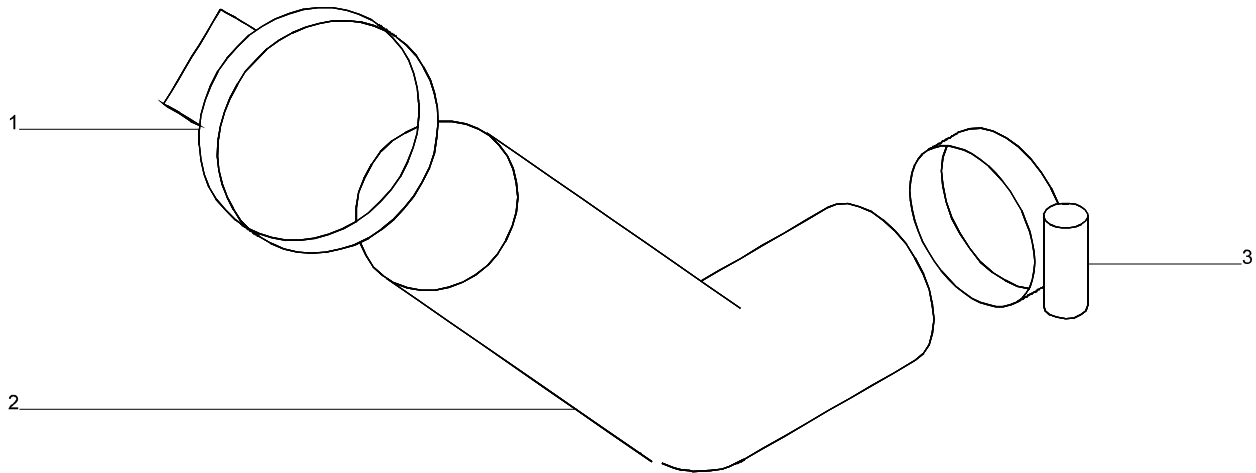


Spare Parts Catalogue

Hose Malmet 2:

(See Diagram 13)

1	Hose Clamp S/S 35-50mm Fits: Rubber Hose – Malmet 2 Hot Water to Suction (Large End)	8-5837SP	1
2	Rubber Hose – Malmet 2 Hot Water to Suction	82-8162SP	1
3	Hose Clamp S/S 30-35mm Fits: Rubber Hose – Malmet 2 Hot Water to Suction (Small End)	8-5832SP	1



Dwg: Hotpip

Diagram 13

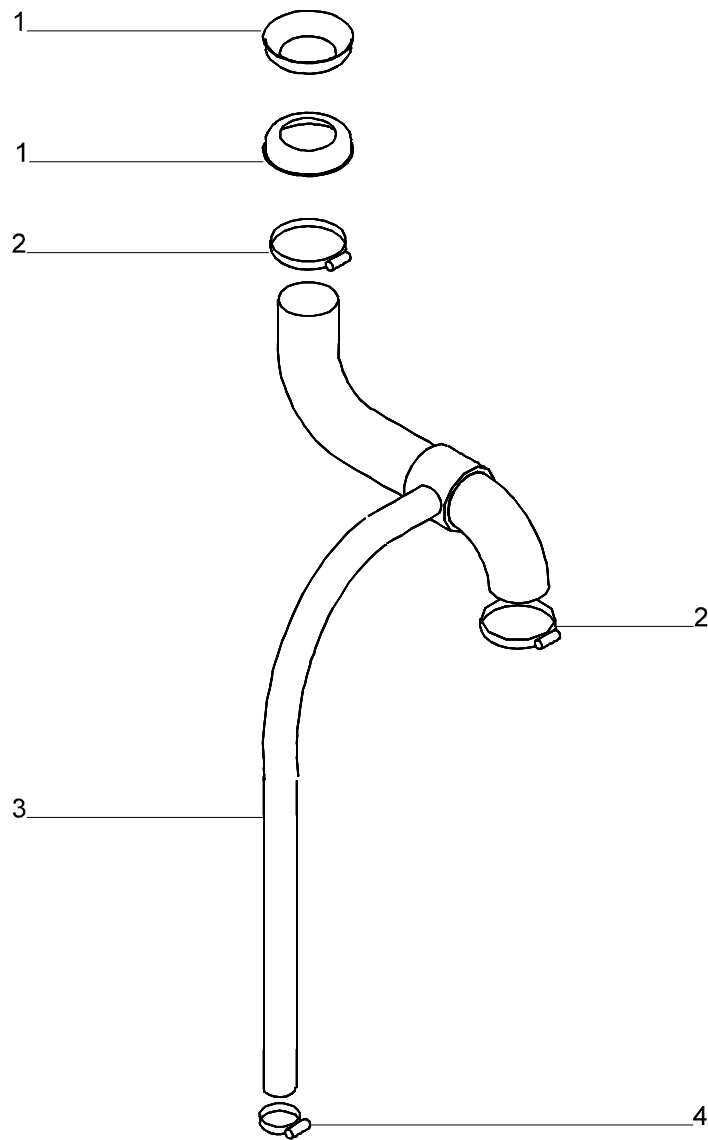


Spare Parts Catalogue

Hose Malmnet 3:

(See Diagram 14)

1	Wall Dome 2" (for Vent Pipe)	82-4621SP	2
2	Hose Clamp S/S 50-70mm Fits: Rubber Hose – Malmnet 3 - Vent Pipe	8-5840SP	2
3	Rubber Hose – Malmnet 3 - Vent Pipe	82-8166SP	1
4	Hose Clamp S/S 25-40mm Fits: Rubber Hose – Malmnet 3 Vent Pipe (Hot Water Tank)	8-5835SP	1



Dwg: Vent

Diagram 14

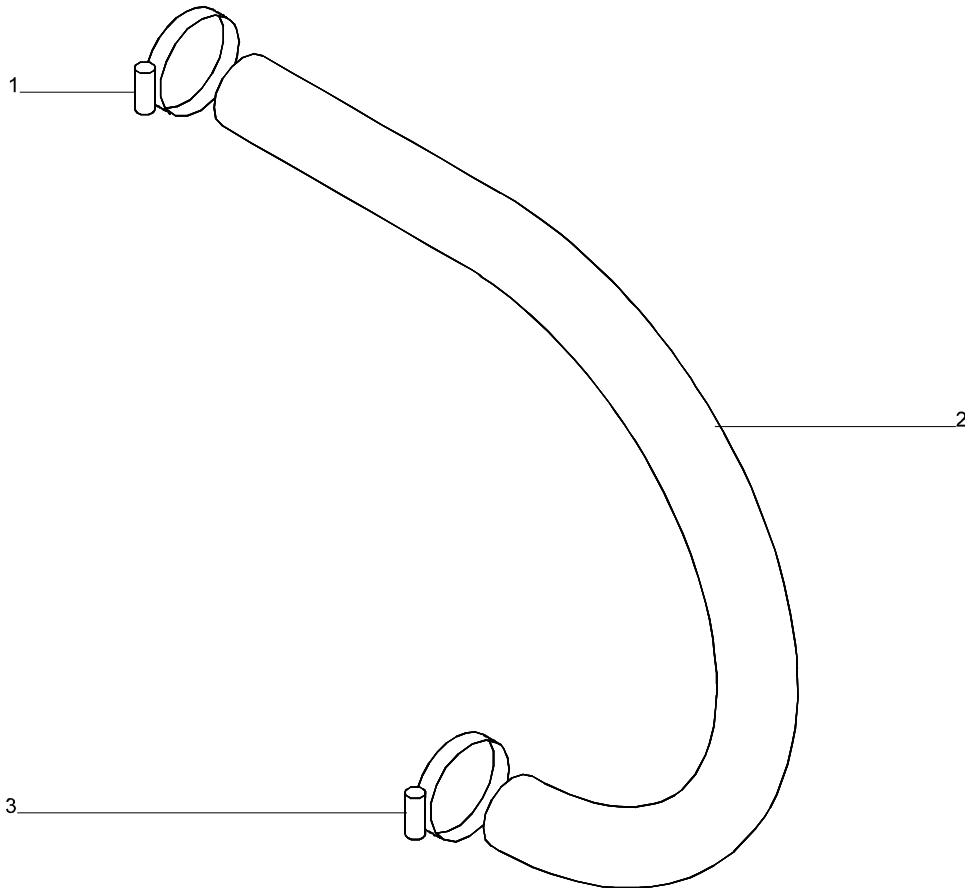


Spare Parts Catalogue

Hose Malmet 5:

(See Diagram 15)

1	Hose Clamp S/S 35-50mm Fits: Rubber Hose – Malmet 5 Cold Tank to Cold Pump (Tank End)	8-5837SP	1
2	Rubber Hose – Malmet 5 Cold Water Pump to Cold Water Tank	82-8168SP	1
3	Hose Clamp S/S 30-45mm Fits: Rubber Hose – Malmet 5 Cold Tank to Cold Pump (Pump End)	8-5832SP	1
4	Hose – CV Unit Only (Replaces No. 2) Cold Water Pump to Cold Water Tank	8-M00-82-548SP	1



Dwg: Coldpip

Diagram 15



Spare Parts Catalogue

Mains Entry Box:

Mains Entry Box – Kits / Assemblies:

Mains Entry Box 13.6kW Assembly	8-K00-82-004SP	1
Mains Entry Box 16.6kW Assembly	8-K00-82-110SP	1

Electrical:

Thermodisc 10H14 Capillary Cutout TL4	82-2325SP	1
Transformer 1.75A	82-2160SP	1
Bridge Rectifier	82-2165SP	1
Housing Female H9309	8-2065SP	1
Contactors & Snubber	8-K00-82-087SP	1
2-Way Plug & Socket	82-2230SP	1
Socket Round Pin 413L	82-2345SP	1
Socket 4 Pin CLI 410	82-2210SP	1
Socket 413	82-2348SP	1
Fuse Holder 16 Amp	82-2355SP	2
Fuse 5 Amp	82-2358SP	1
Fuse 3 Amp	82-2350SP	1
Terminator 269/20	82-2377SP	2
Connector Large (Terminal Strip)	82-2317SP	5
Connector Small (Terminal Strip)	5-20-360SP	1x2, 1x4
OTP Current Sani Standard	8-2100SP	1
OTP Miscellaneous/Special Standard Sanitizer CELIO SES (Low HW Supply Temp)	8-2104SP	1
Upgrade from 13.6kW to 16.6kW (FS)	8-K00-82-066SP	1
Upgrade from 13.6kW to 16.6kW (E)	8-K00-82-065SP	1



Spare Parts Catalogue

FS SERIES

Instrument Panel – Kits / Assemblies:

Front Panel with Overlay	8-K00-82-031SP	1
Front Panel Plastic	82-8501SP	1
Display Overlay	82-2241SP	1
Screw ¼ Turn	8-5894SP	2
Screw ¼ Turn Push On Retainer	8-5896SP	2
Turn Receptacle ¼"	8-5889SP	2
Front Panel – Individual Componentry:		
Front Panel with Overlay	8-K00-82-031SP	1
Display Board	82-2245SP	1
Harness 1 – Display / Main Board	82-2258SP	1
Interconnect		
Circuit Board STD HF Main (SKCM227)	82-2254SP	1
Instrument Panel Wiring Harness Complete	8-K00-82-025SP	1
Front Panel Complete with Harness	8-K00-82-041SP	1
Circuit Board Cover Complete	8-K00-82-045SP	1
Circuit Board Cover	82-2268SP	1
Circuit Board Cover Gasket	8-M00-82-323SP	1
Instrument Panel Assembly Complete	8-K00-82-051SP	1
Front Panel Complete with Harness	8-K00-82-041SP	1
Circuit Board Cover Complete	8-K00-82-045SP	1
Harness 2 – Hot Tank Sensor	82-2261SP	1
Temperature Thermistor (Spray Pipe Sensor)	82-2264SP	1
Harness 4 – Door Micro Switch (with lugs)	8-M00-82-575SP	1
Door Micro Switch VP-53IC-3H	82-2361SP	1
Instrument Panel – Individual Componentry:		
Fuse 5 x 20mm 315mA	82-2352SP	1
PCB Kit Standard		
PCB Kit Standard Hands Free	82-2247SP	1
Door Lock Mechanism:		
Door Lock Actuator Assembly	8-K00-82-060SP	1



Spare Parts Catalogue

E SERIES

Instrument Panel – Kits / Assemblies:

Front Panel with Overlay	8-K00-82-030SP	1
Front Panel Plastic	82-8501SP	1
Display Overlay	82-2240SP	1
Screw ¼ Turn	8-5894SP	2
Screw ¼ Turn Push On Retainer	8-5896SP	2
Turn Receptacle ¼"	8-5889SP	2
Front Panel – Individual Componentry:		
Front Panel with Overlay	8-K00-82-030SP	1
Display Board	82-2245SP	1
Harness 1 – Display / Main Board	82-2258SP	1
Interconnect		
Circuit Board STD Main E Series	82-2248SP	1
Instrument Panel Harness Complete	8-K00-82-025SP	1
Front Panel Complete with Harness	8-K00-82-040SP	1
Circuit Board Cover Complete	8-K00-82-045SP	1
Circuit Board Cover	82-2268SP	1
Circuit Board Cover Gasket	8-M00-82-323SP	1
Instrument Panel Assembly Complete	8-K00-82-050SP	1
Front Panel Complete with Harness	8-K00-82-040SP	1
Circuit Board Cover Complete	8-K00-82-045SP	1
Harness 2 – Hot Tank Sensor	82-2261SP	1
Temperature Thermistor (Spray Pipe Sensor)	82-2264SP	4
Harness 4 – Door Micro Switch (with lugs)	8-M00-82-575SP	1
Micro Switch VP-53IC-3H	82-2361SP	1
Instrument Panel – Individual Componentry:		
Fuse 5 x 20mm 315mA	82-2352SP	1
PCB Kit Standard		
PCB Kit Standard	82-2246SP	1
Door Lock Mechanism:		
Door Lock Actuator Assembly	8-K00-82-060SP	1



Spare Parts Catalogue

Miscellaneous Fasteners:

Adjustable Foot and Insert	82-8095SP	4
Turn Receptacle ¼" [CV Unit]	8-5889SP	4
Screw ¼ Turn Push On Retainer [CV Unit]	8-5896SP	4
Turn Screw ¼ Modified [CV Unit]	8-M00-82-315SP	4

Manufactured Materials/Spare Parts:

General (All Models)

Door Splash Guard	8-M00-82-058SP	1
Mains Entry Box Cover (External)	8-M00-82-019SP	1
Mains Entry Box Lid	8-M00-82-161SP	1
S&P Trap Clamping Flange	8-M00-82-116SP	1
Bottom Front Panel	8-M00-82-122SP	1
Hot Water Pump Bracket	8-M00-82-136SP	1
Top Panel – Vent Hole Flashing	8-M00-82-107SP	1
Steam Prevention Strip	8-M00-82-325SP	1

Freestanding (FS510 FS512 & E5F)

Outer Side Panel LH	8-M00-82-023SP	1
Outer Side Panel RH	8-M00-82-024SP	1
Top Panel	8-M00-82-124SP	1

Concealed (FS520, FS522, FS530, FS532, E5C & E5CV)

Concealed Top Panel STD (Gal)	8-M00-82-350SP	1
Concealed Strips STD (Sides)	8-M00-82-037SP	1
Concealed Strips STD (Top)	8-M00-82-039SP	1
Tank Cold Water Support Bracket CV	8-M00-82-049SP	1
Top Facia Angle Support Bracket CV	8-M00-82-247SP	1x1
Top Facia Panel CV Unit	8-M00-82-248SP	1
Corner Gusset CV Unit	8-M00-82-252SP	2
Mains Entry Box Bracket LH CV Unit	8-M00-82-256SP	1
Mains Entry Box Bracket RH CV Unit	8-M00-82-257SP	1
Tank Cold Water Support Angle CV Unit	8-M00-82-258SP	2



Manufactured by
Malmet (Australia)
ABN 95 001 717 791