

**Head Office & Customer Service**

McKay Avenue PO Box 373
LEETON NSW 2705 LEETON NSW 2705
Phone: (02) 6953 7677 Fax: (02) 6953 6266
Email: inquiries@malmet-aus.com.au

ABN 95 001 717 791

A.B.N. 98 078 566 604

Trading as **EVO CARE** and **L&M EQUIPMENT**

P.O. Box 1144, Stafford Qld. 4053

Ph: 07 3355 8000 Fax: 07 3355 5043

Website: <http://www.evocare.com.au>E-Mail: sales@evocare.com.auworkshop@evocare.com.au

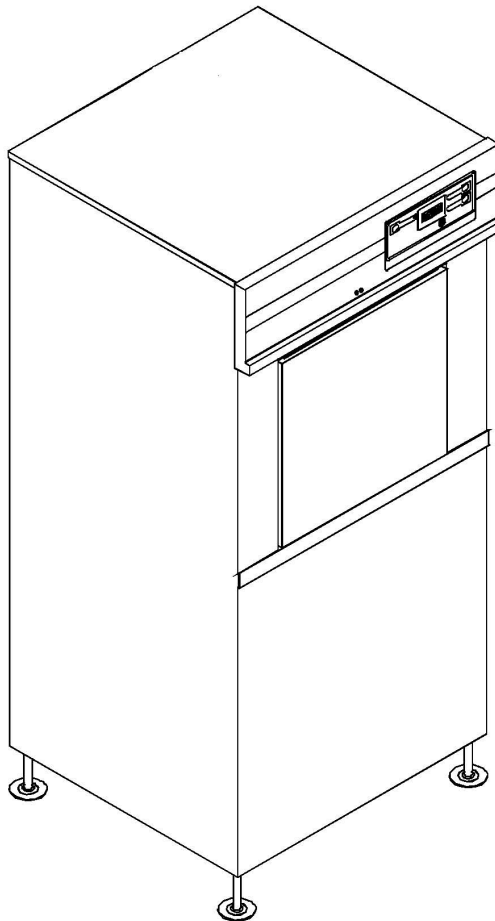
Bed Pan / Flusher Sanitizer

FS SERIES

(For Models FS540, FS542, FS544, FS550 & FS552, FS554)

E SERIES

(For Models E5FNV & E5CNV)



Spare Parts Catalogue

'Due to Malmet's policy of continuous product improvement, information in this document may change without notice.'

Table of Contents

Contents	Page
<i>Main Assembly</i>	3
<i>Door Axle</i>	5
<i>Door Assembly</i>	6
<i>Hot Water Pump</i>	7
<i>Cold Water Pump</i>	8
<i>Hot Water Tank</i>	9
<i>Cold Water Tank</i>	11
<i>Ball Valve ½" BSP</i>	12
<i>Water Distribution</i>	13
<i>Spray Domes</i>	15
<i>Bottlehooks</i>	16
<i>Final Rinse</i>	17
<i>Hose</i>	19
<i>Hose Malmes 2</i>	21
<i>Hose Malmes 3</i>	22
<i>Hose Malmes 5</i>	23
<i>Mains Entry Box</i>	24
<i>Instrument Panel – Kits / Assemblies</i>	25
<i>Instrument Panel – Kits / Assemblies</i>	26
<i>Door Lock Mechanism</i>	25-26
<i>Misellaneous Fasteners</i>	27
<i>Manufactured Materials/Spare Parts</i>	27

In the interest of continued product improvement, MALMET (AUSTRALIA) PTY LTD reserves the right to alter specifications without notice. E. & O. E.

Text and illustration © Copyright MALMET (AUSTRALIA) PTY LTD 2009

All rights reserved. No part of this document may be reproduced or transmitted in any form or by any means, electronic or mechanical, including photocopying, recording or by an information storage and retrieval system, without prior permission in writing from Malmes (Australia).



Spare Parts Catalogue

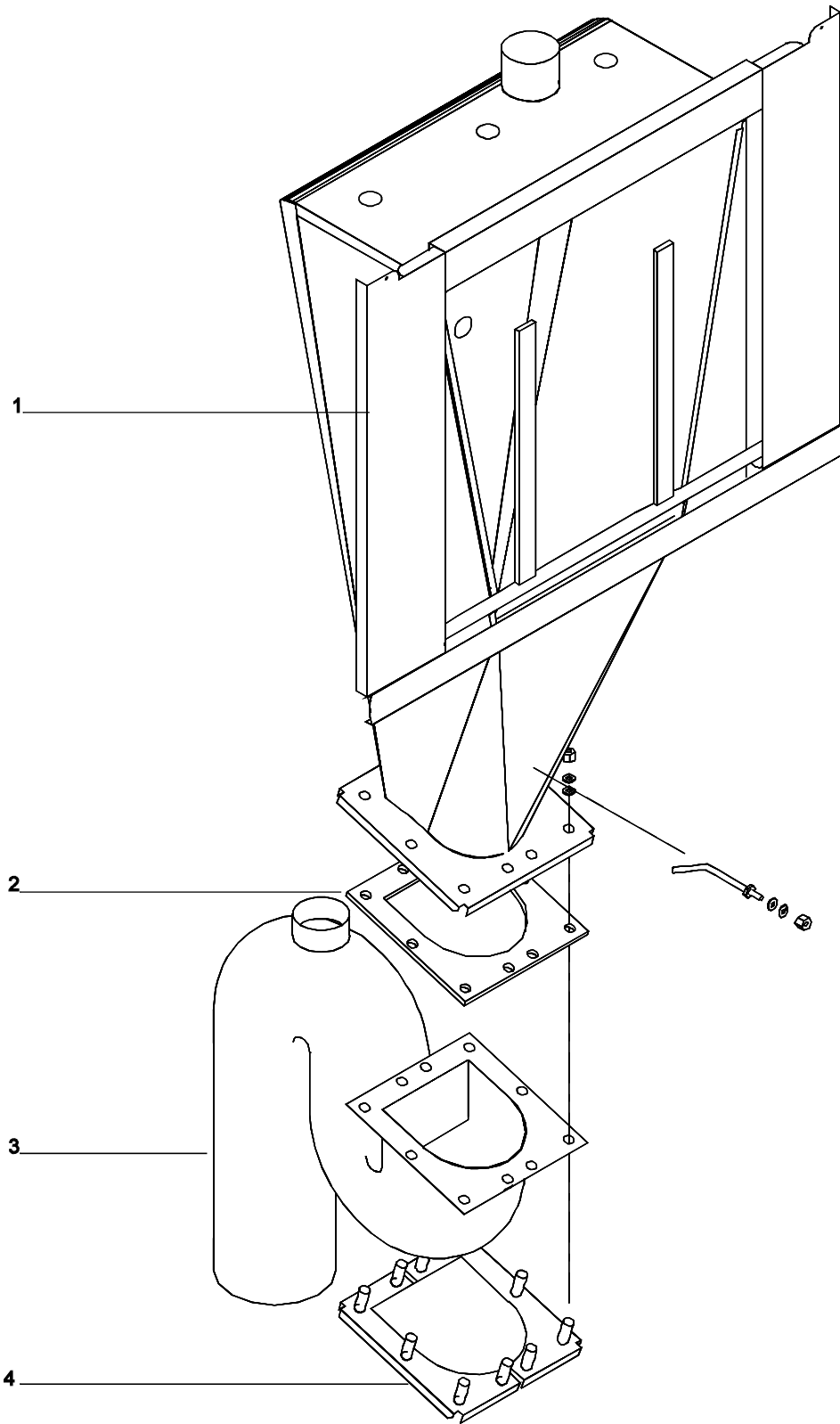
Main Assembly:

(See Diagram 1)

1	Front Panel & Body Assembly	8-K00-82-150SP	1
2	Gasket Trap Neoprene 4.5	82-8105SP	1
3	Trap 'S' – Rota Moulded	82-8381SP	1
	Trap 'P' – Rota Moulded	82-8385SP	1
4	Clamping Flange Assembly S & P Trap	8-K00-82-023SP	1
5	Door Lever Bar (Not Shown)	8-M00-82-188SP	1
6	Anti Block Peg Assembly	8-K00-82-013SP	1



Spare Parts Catalogue



Dwg: BODYNV21

Diagram 1

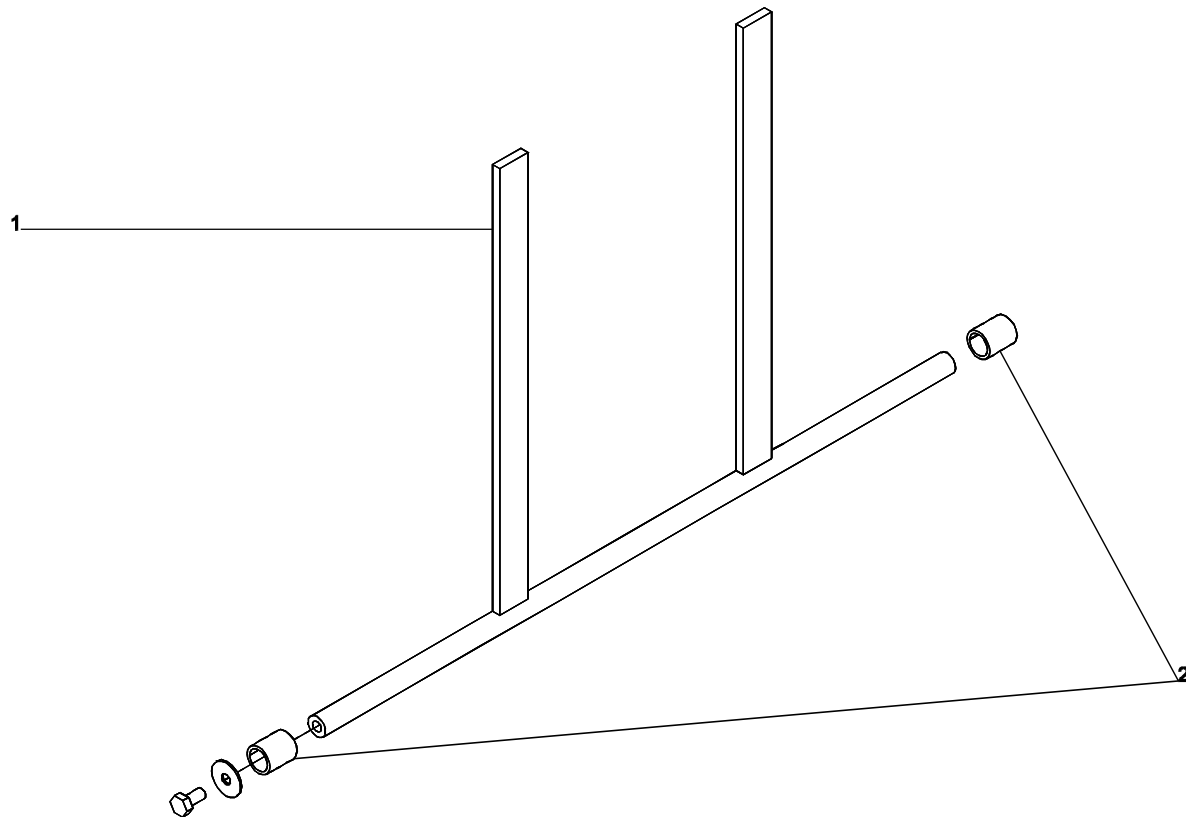


Spare Parts Catalogue

Door Axle:

(See Diagram 2)

1	Door Axle Bar	8-M00-82-297SP	1
2	Bush Sintalite AJ2 1/2" x 5/8" x 3/4"	82-4321SP	2



Dwg: DOORAXL1

Diagram 2

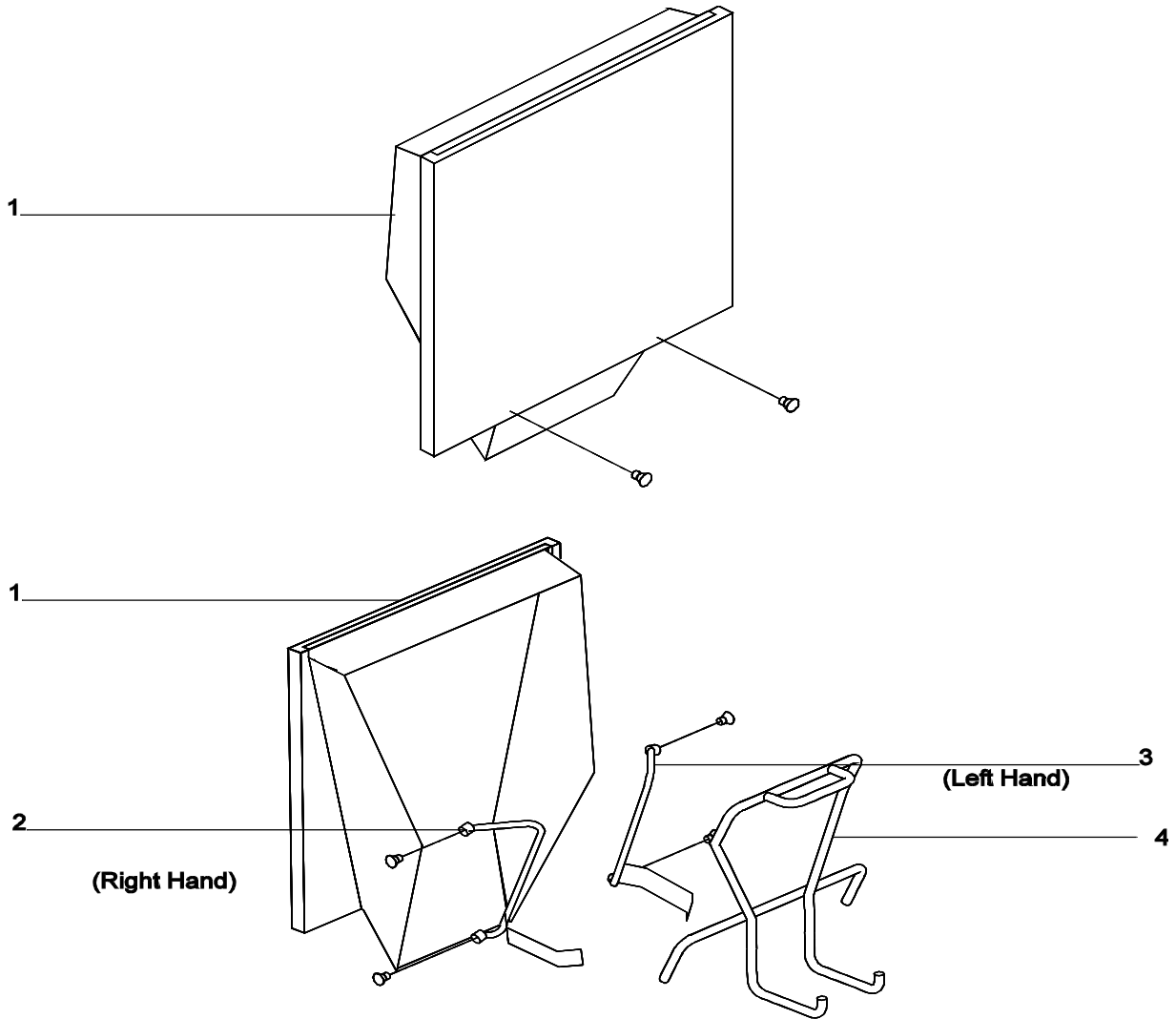


Spare Parts Catalogue

Door Assembly:

(See Diagram 3)

1	Door Assembly	8-K00-82-011SP	1
	Pan Rack Right Hand Complete (Includes No 2, No 5 x 2)	8-K00-82-115SP	1
	Pan Rack Left Hand Complete (Includes No 3, No 5 x 2)	8-K00-82-116SP	1
2	Pan Rack Right Hand	822-4273SP	1
3	Pan Rack Left Hand	822-4271SP	1
4	Slipper Pan Rack	822-4281SP	1
5	Sanitizer Door	822-4400SP	1



Dwg: DOOR1

Diagram 3

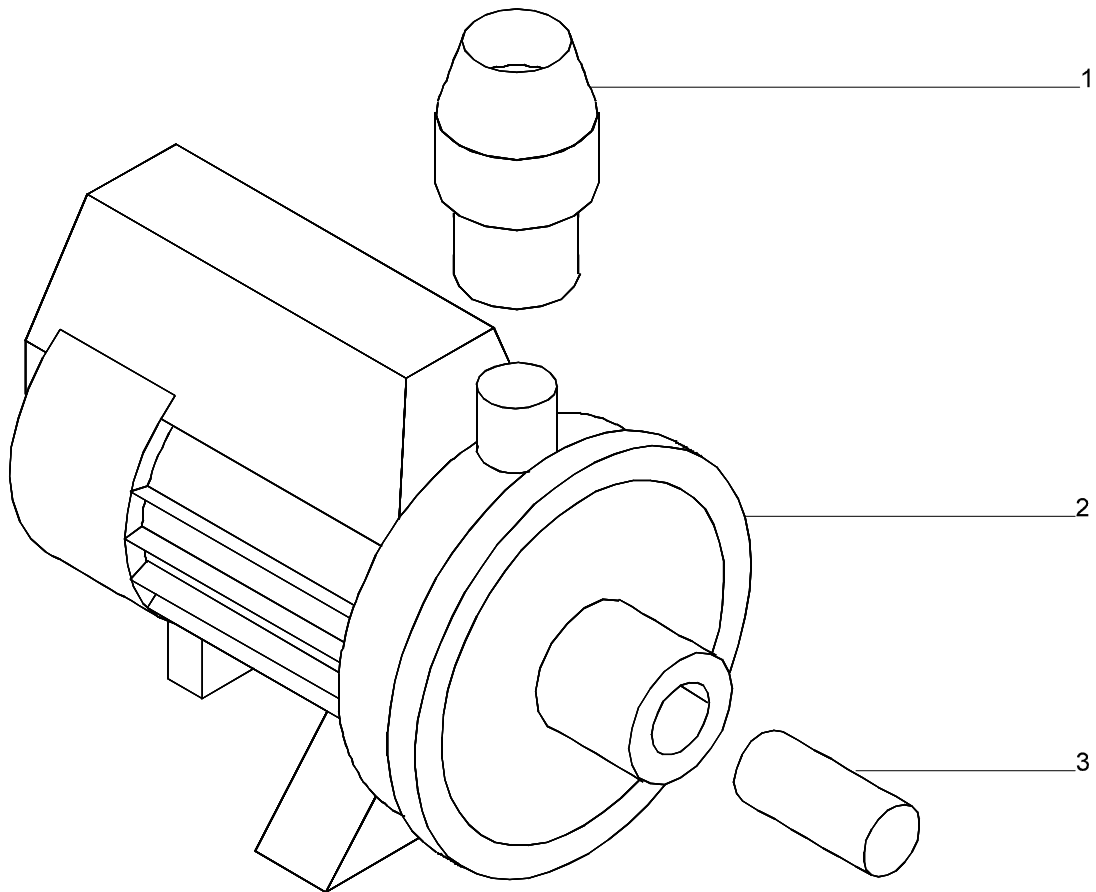


Spare Parts Catalogue

Cold Water Pump:

(See Diagram 5)

	Cold Water Pump Assembly (Includes No 1-3)	8-K00-82-014SP	1
1	Nut & Tail HD 1"	82-8196SP	1
2	Pump Davey XF171H	82-1011SP	1
3	Hosetail 1" MI 1 ¼" D11410	82-8197SP	1



Dwg: Coldpump

Diagram 5



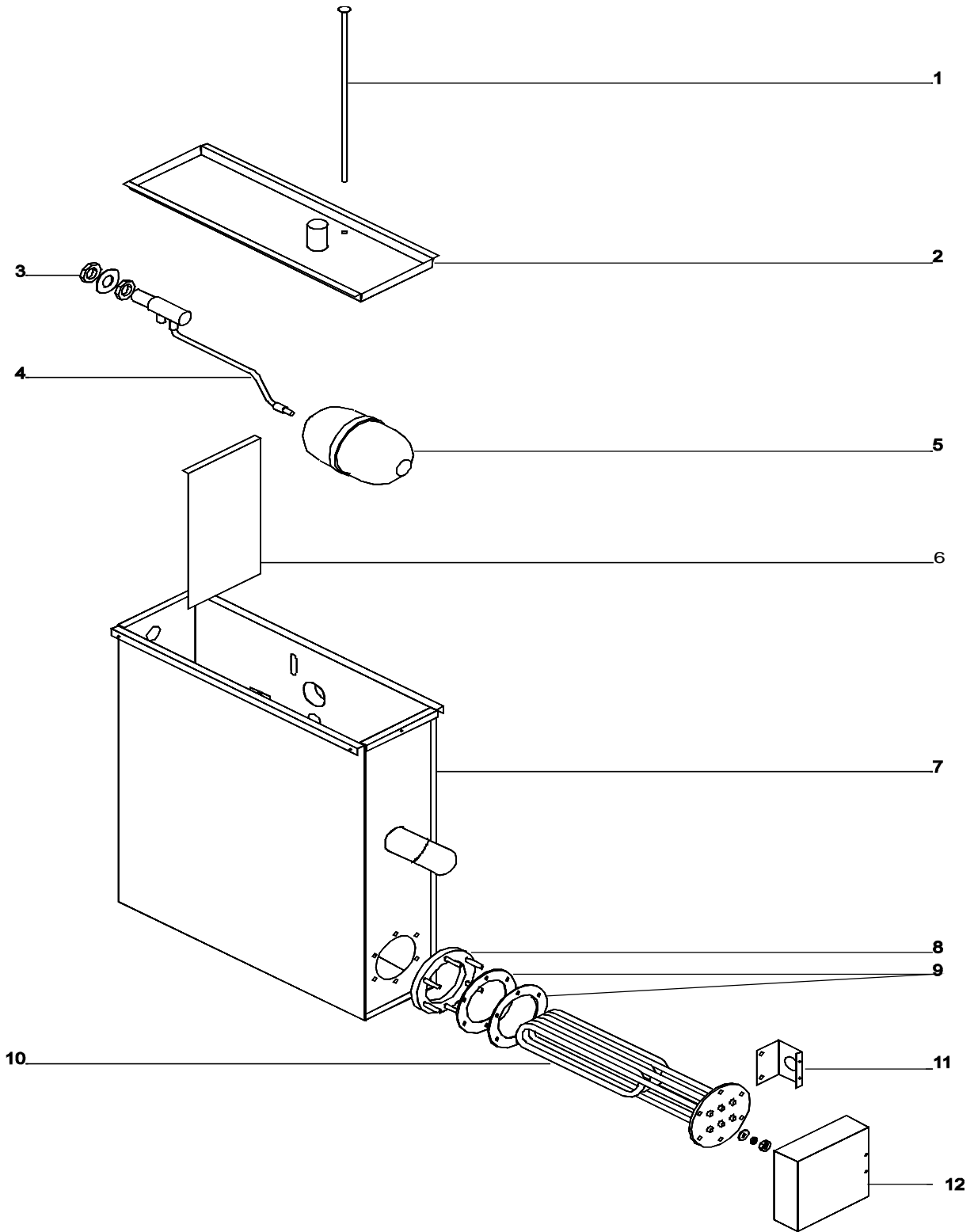
Spare Parts Catalogue

Hot Water Tank:

	Hot Water Tank Assembly 13.6KW Stainless Steel (Includes No 2-15)	8-K00-82-028SP	1
	Hot Water Tank Assembly 16.6KW Stainless Steel (Includes No 2-15)	8-K00-82-027SP	1
	Hot Water Tank Assembly 13.6KW Copper (Includes No 2-15)	8-K00-82-048SP	1
	Hot Water Tank Assembly 16.6KW Copper (Includes No 2-15)	8-K00-82-047SP	1
	Element 13.6KW Complete (Includes No 8-10, 12-14)	8-K00-82-132SP	1
	Element 16.6KW Complete (Includes No 8-10, 12-14)	8-K00-82-133SP	1
1	Hot Tank Sensor	82-2261SP	1
2	Lid HWT SS E & FS Sani	8-M00-82-835SP	1
	Lid HWT Copper	8-M00-82-637SP	1
3	Back Nut Brass ½"	8-5379SP	1
4	Ball Valve ½" BSP (See page 12)	82-8025SP	1
5	Ball Float White 100mm	82-8004SP	1
6	Weir Plate (Electric)	8-M00-82-100SP	1
7	Hot Water Tank	8-M00-82-236SP	1
	Hot Water Tank Copper	8-M00-82-636SP	1
8	Element Flange RN8300/B	82-2497SP	1
9	Element Gasket Neoprene 1.6	82-8100SP	2
10	Element 13.6kW Only	82-2498SP	1
11	Element 16.6kW Only (Optional)	82-2507SP	1
12	Element Electrical Wire Bracket	8-M00-82-296SP	1
13	Element Cover	8-M00-82-295SP	1
14	Copper Element Bridge (Not Shown)	8-M00-82-135SP	1
15	Conversion HWT Electric/Steam (Suits New Back Flow Tank)	8-K00-82-225SP	1



Spare Parts Catalogue



Dwg: HOTTANK1

Diagram 6



Spare Parts Catalogue

Cold Water Tank:

(See Diagram 7)

	Tank Cold Water Complete (Includes No 1, 5-8)	8-K00-82-135SP	1
1	Lid No Vent Cold Water Tank	8-M00-82-053SP	1
2	Cold Water Entry Pipe No Vent	8-M00-82-524SP	1
3	Ball Float White 100mm	82-8004SP	1
4	Ball Valve ½" BSP (See Page 12 for Breakdown)	82-8025SP	1
5	Backnut Brass ½"	8-5379SP	1
6	Tank Only Cold Water No Vent	8-M00-82-527SP	1
	Conversion CWT NV Only (Suits New Back Flow Tank)	8-K00-82-235SP	1
7	Liquid Level Switch	81-2049SP	1

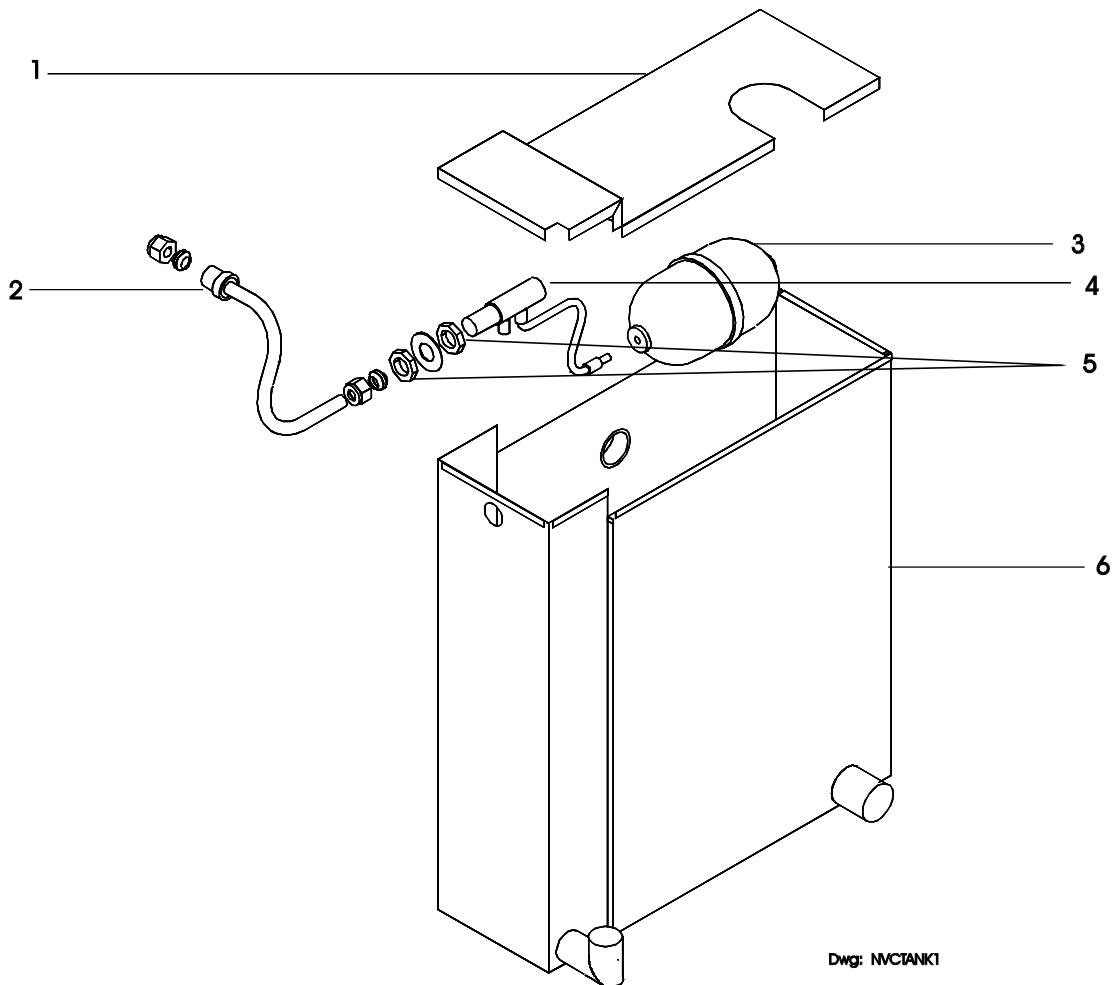


Diagram 7

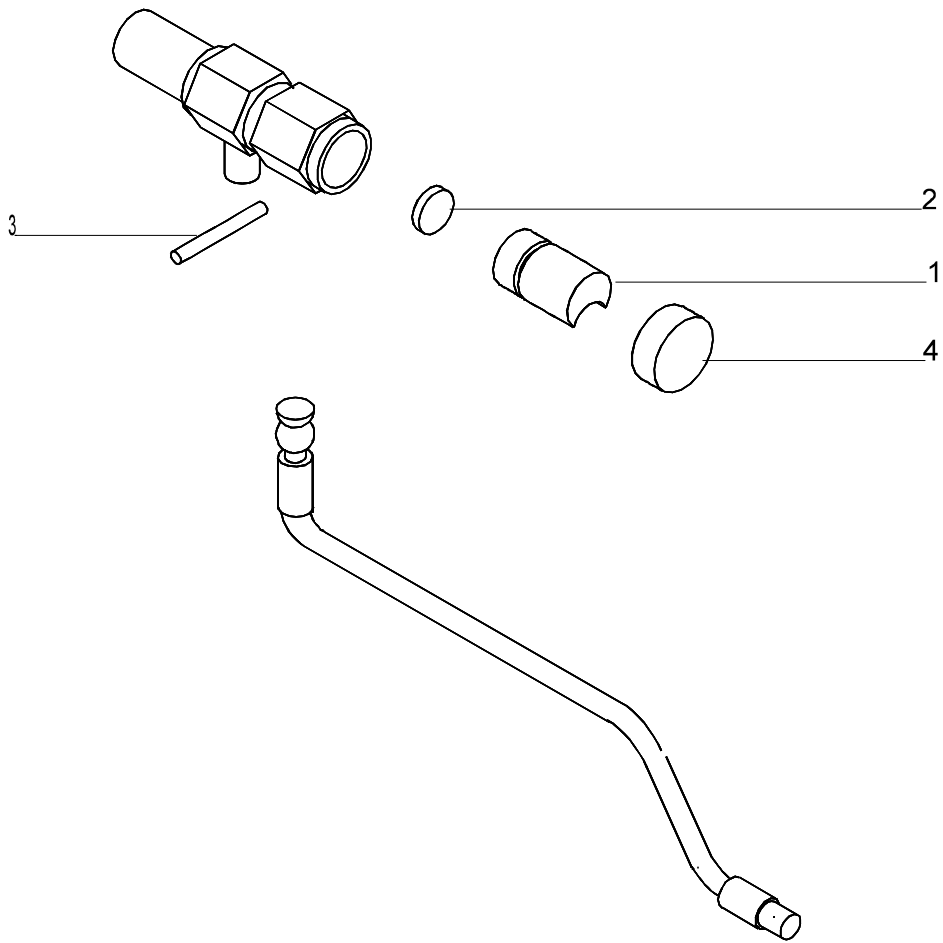


Spare Parts Catalogue

Ball Valve 1/2" BSP:

(As per pages 9 & 11 – See Diagram 8)

	Ball Valve 1/2" BSP	82-8025SP	1
1	Ball Valve 1/2" Plunger	82-8030SP	1
2	Ball Valve 1/2" Seatwasher	82-8031SP	1
3	Ball Valve 1/2" Pivot Pin	82-8032SP	1
4	Ball Valve 1/2" Body Cap	82-8033SP	1



Dwg: Float

Diagram 8



Spare Parts Catalogue

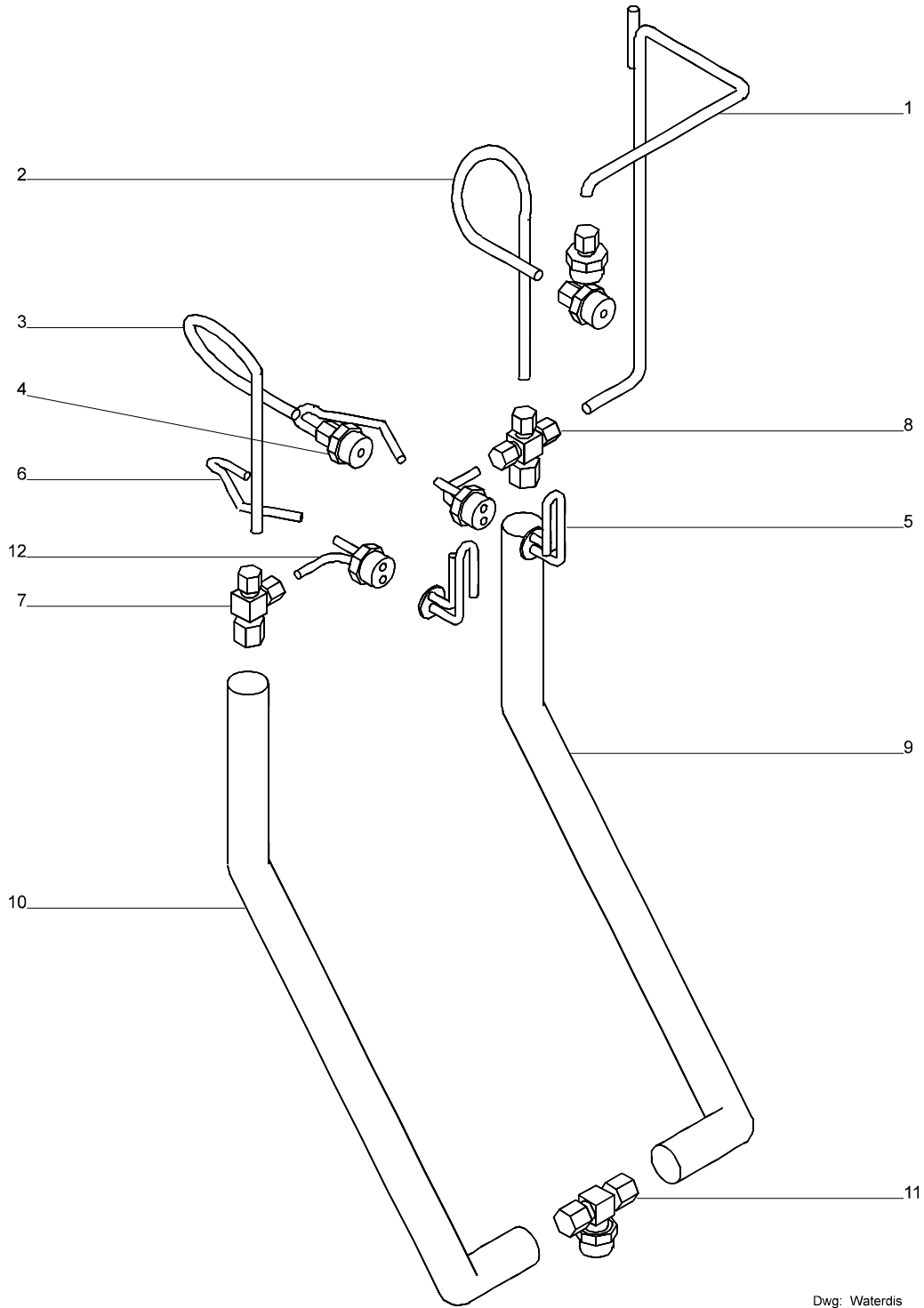
Water Distribution:

(See Diagram 9)

1	Centre Spray Pipe & T2 Sensor Pipe	8-M00-82-510SP	1
2	Spray Pipe RH	8-M00-82-505SP	1
3	Spray Pipe LH	8-M00-82-500SP	1
4	Spray Backfitting - One Hole (See Page 15)		
5	Bottle Hooks (See Page 16)		
6	Tube – Cold Water Flush to Bottle Hook	8-M00-82-535SP	2
7	Tee Piece Bronze $\frac{5}{16}$ " x $\frac{1}{4}$ " x $\frac{1}{2}$ "	82-4400SP	1
8	Cross Bronze $\frac{5}{16}$ " x $\frac{5}{16}$ " x $\frac{1}{4}$ " x $\frac{1}{2}$ "	82-4405SP	1
9	Delivery Tube RH	8-M00-82-520SP	1
10	Delivery Tube LH	8-M00-82-515SP	1
	Delivery Tube Insulation	8-M00-82-516SP	2
11	Tee Branch Male $\frac{1}{2}$ " x $\frac{1}{2}$ " x 1" BSP	82-4601SP	1
12	Spray Backfitting – 2 Hole (See Page 16)		



Spare Parts Catalogue



Dwg: Waterdis

Diagram 9

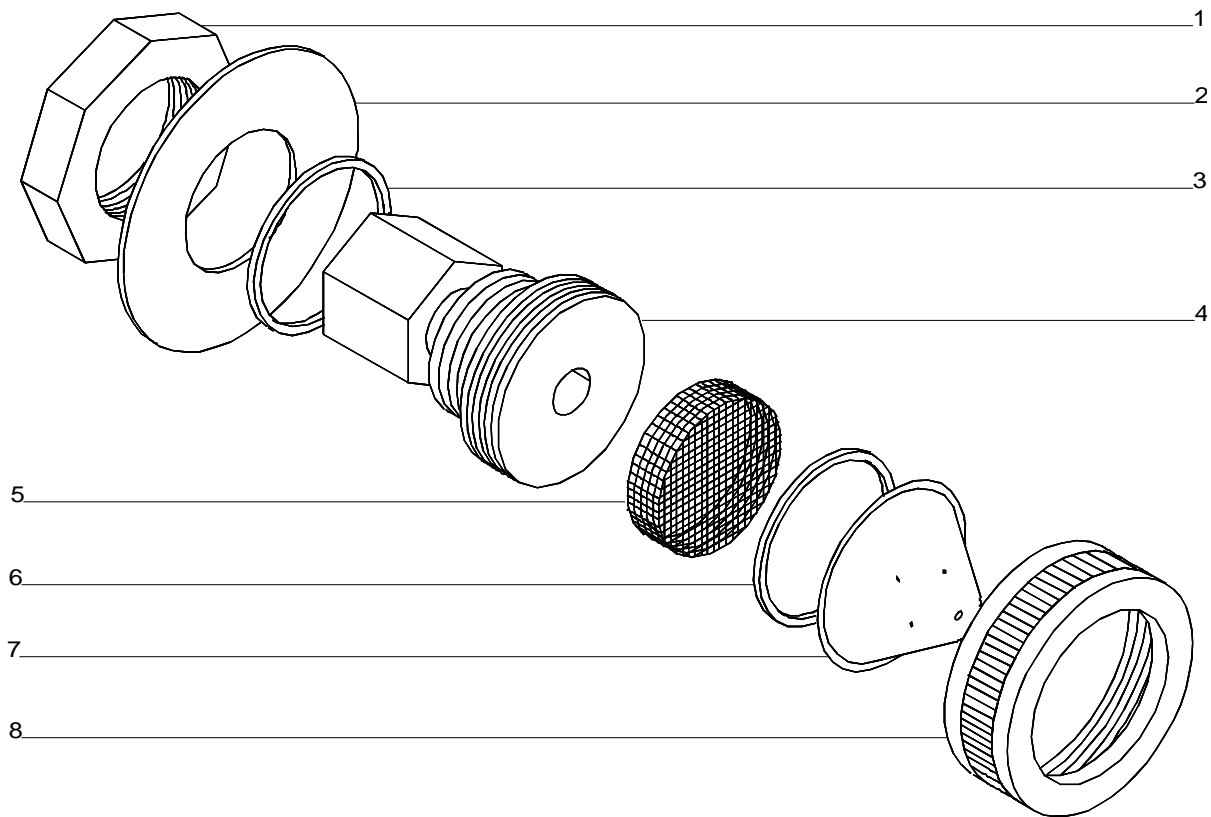


Spare Parts Catalogue

Spray Domes:

(See Diagram 10)

1	Backnut Brass ½" BSP	8-5379SP	5
2	Washer S/S 1½" OD	8-M00-82-105SP	5
3	Washer Copper/Asbestos	8-5764SP	5
4	Spray Backfitting – One Hole	82-4541SP	5
5	Mesh SS 30mm x 30mm	822-4461SP	5
6	"O" Ring Lurene	82-8311SP	5
7	Spray Dome	822-4310SP	5
8	Nut Chromed 1" Knurled	8-5528SP	5
9	Replacement Spray Set (Includes 5, 6, 7 & 8)	822-4330SP	5



Dwg: Sprayex

Diagram 10



Spare Parts Catalogue

Bottle Hooks:

(See Diagram 11)

	Spray Fitting Complete LH (Includes No 1-4)	8-K00-82-136SP	1
	Spray Fitting Complete RH (Includes No 1-4)	8-K00-82-137SP	1
1	Backnut Brass ½" BSP	8-5379SP	2
2	Washer S/S 1½" OD	8-M00-82-105SP	2
3	Washer Copper/Asbestos	8-5764SP	2
4	Spray Backfitting – Two Hole LH	8-M00-82-565SP	1
	Spray Backfitting – Two Hole RH	8-M00-82-570SP	1
5	Gasket Insertion	82-8131SP	2
6	Bottle Hook LH	822-4385SP	1
	Bottle Hook RH	822-4386SP	1
7	Nut Chromed 1" Knurled	8-5528SP	2
	Bottle Hooks Complete Set	822-4381SP	1
8	Non Spill Urinal Bottle RH Hook (Non Std)	8-M00-82-243	1

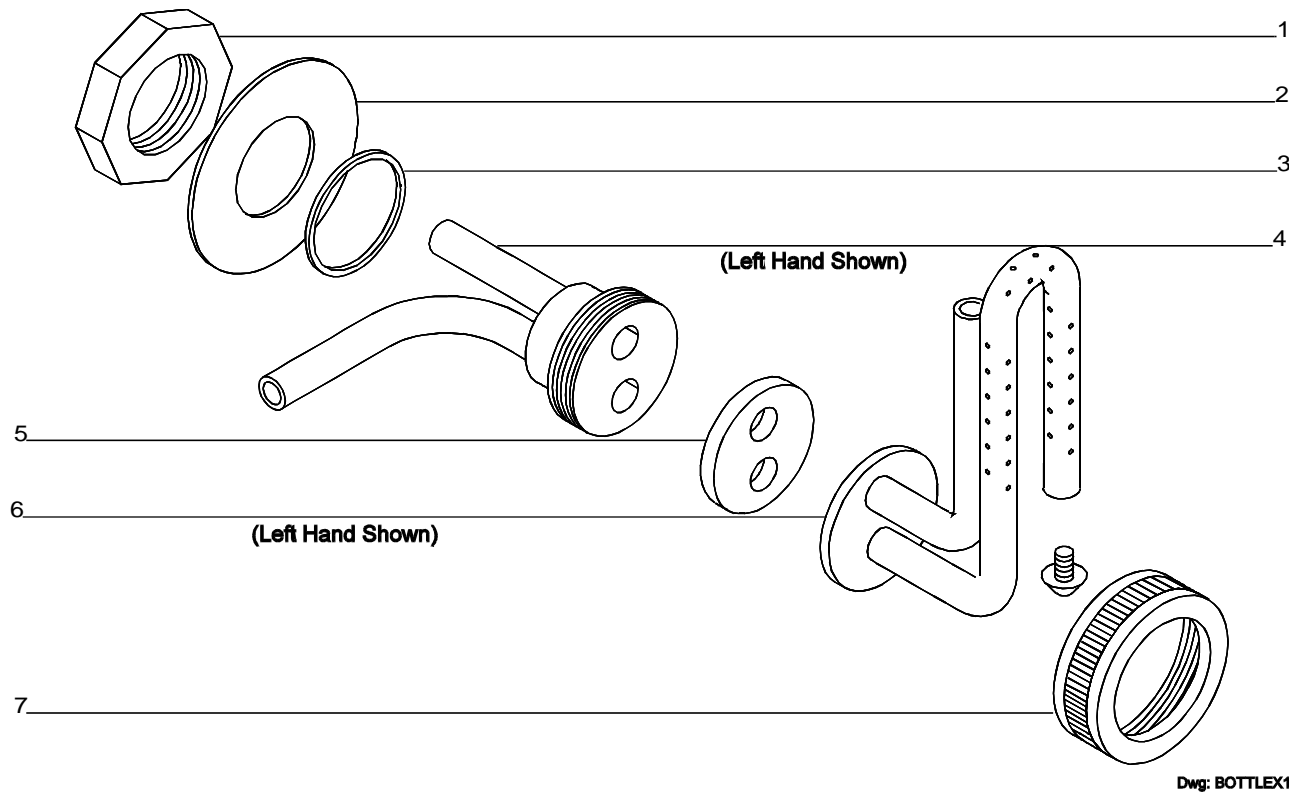


Diagram 11



Spare Parts Catalogue

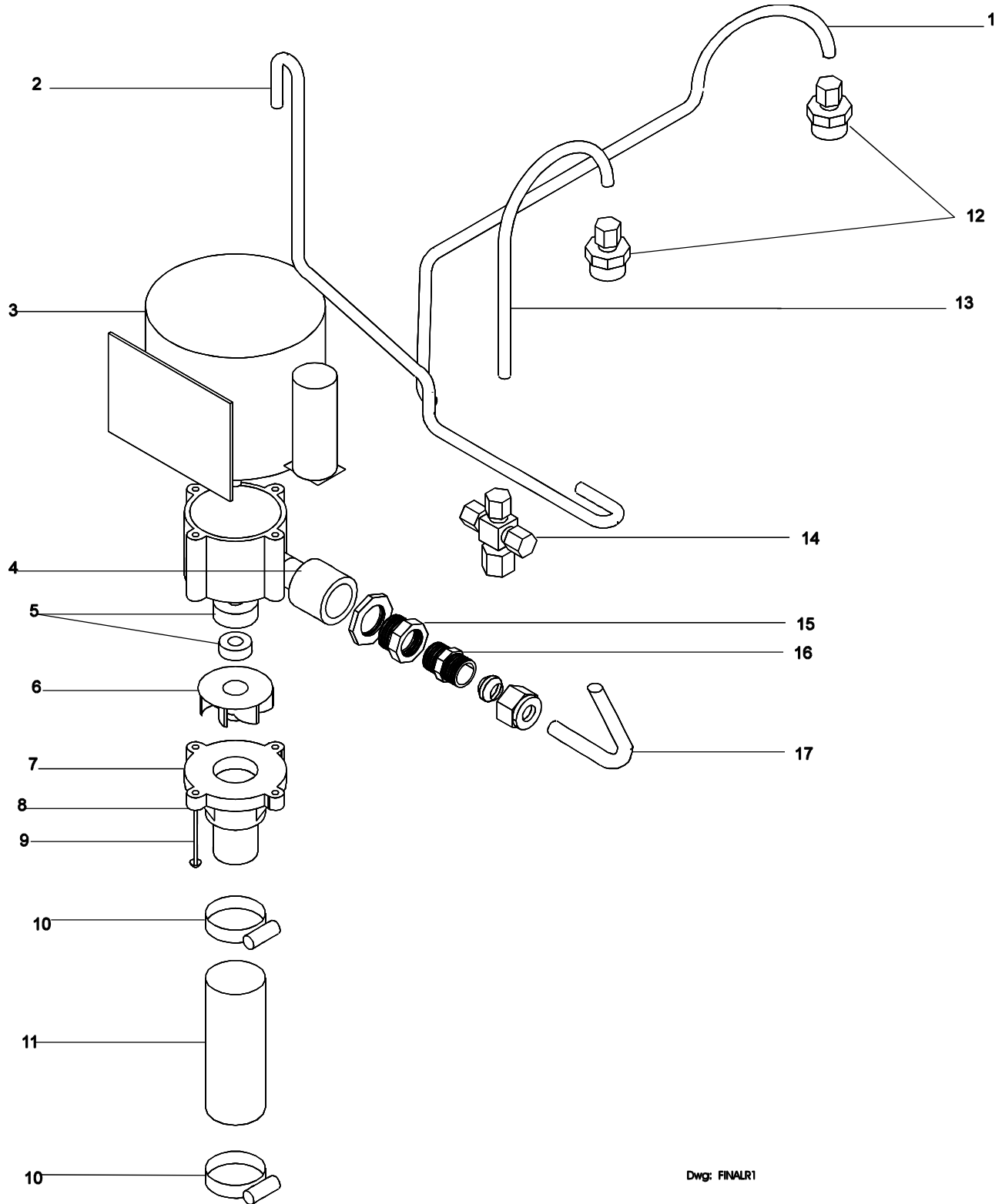
Final Rinse:

(See Diagram 12)

1	No Vent Spray Pipe RH	8-M00-82-533SP	1
2	No Vent Anti Syphon Pipe	8-M00-82-531SP	1
3-9	Hot Water Pump (See Page 9)		
10	Hose Clamp S/S 30-35mm	8-5832SP	2
11	Rubber Hose No. 5 - Cold Tank/Pump	82-8168SP	1
12	Spray One Hole (See Page 15)		
13	No Vent Spray Pipe LH	8-M00-82-532SP	1
14	Crosses Turner ¼" x 5/16"	82-4405SP	1
15	Brass Bush 1" x ½" BSP	82-4606SP	1
16	Brass Nipple ½" BSP	82-4335SP	1
17	Final Rinse Delivery Tube No Vent	8-M00-82-536SP	1



Spare Parts Catalogue



Dwg: FINALR1

Diagram 12



Spare Parts Catalogue

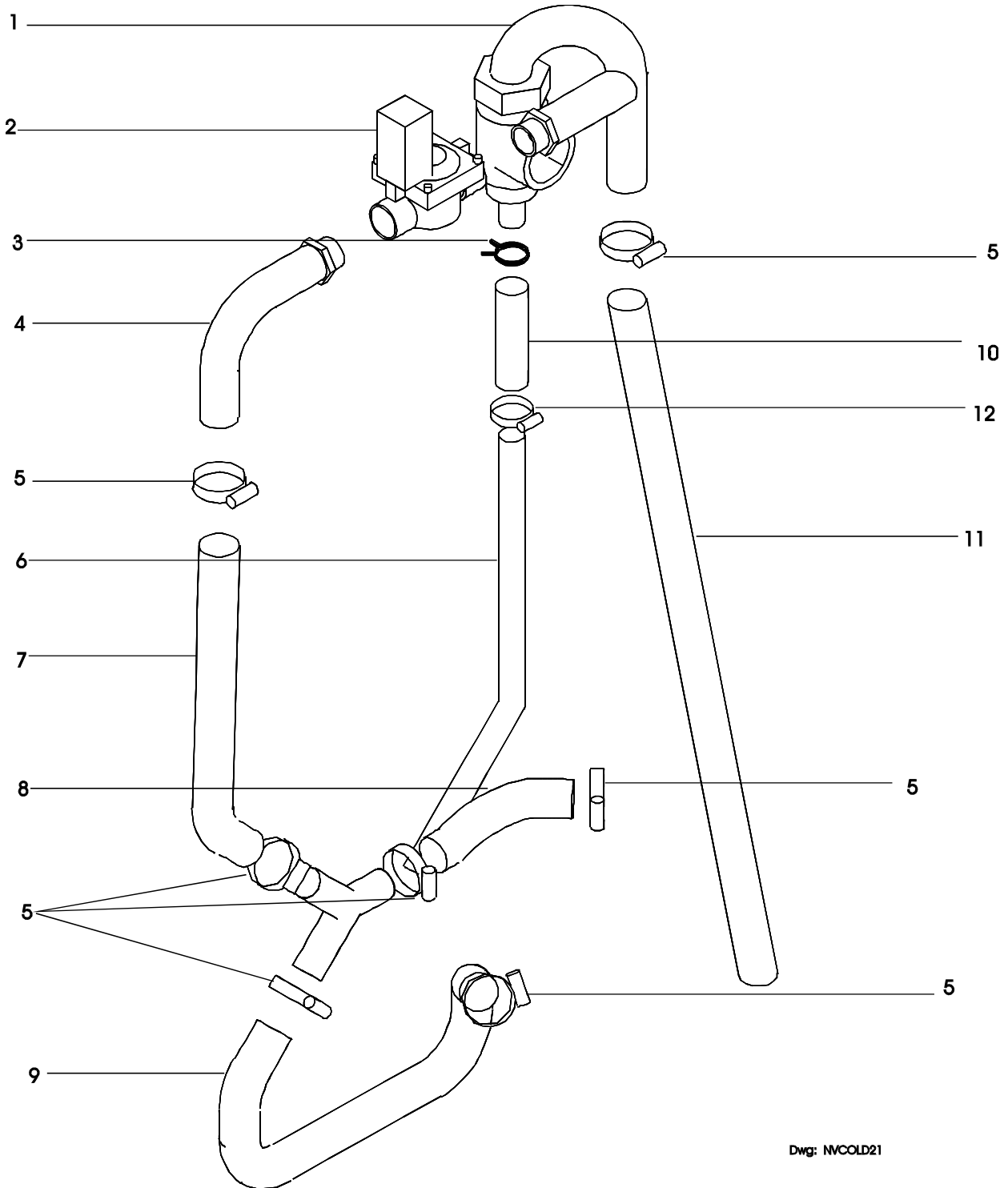
Hoses:

(See Diagram 13)

	Steam Ejector and Solenoid Assembly	8-K00-82-220SP	1	
	(Includes No 1, No 2 & No 4)			
1	Steam Ejector Assembly	8-K00-82-205SP	1	
2	Water Valve ¾"	82-4795SP	1	
3	Hose Clamp S/S 16-25mm	8-5841SP	1	
4	Solenoid Valve to Flush Pipe Elbow	8-M00-82-559SP	1	
5	Hose Clamp S/S 25-40mm	8-5835SP	8	
6	Steam Ejector Copper Pipe ¾"	8-M00-82-537SP	1	Prior May 2003
7	Hose – 'Y' to Elbow 300mm long	8-M00-82-558SP	1	
8	Hose – 'Y' to Flush Cone Short (120mm)	8-M00-82-555SP	1	
9	Hose – 'Y' to Flush Cone Long (600mm)	8-M00-82-550SP	1	
10	Tube Beverage 20mm ID Clear	82-8430SP	1	Prior May 2003
11	Hose – Cold Pump to Steam Ejector (600mm)	8-M00-82-547SP	1	
13	Hose Clamp S/S 12-20mm	8-5848SP	1	
14	Steam Outlet Pipe (Replaces Items No. 6 & 10)	8-M00-82-538SP	1	After May 2003



Spare Parts Catalogue



Dwg: NVCOLD21

Diagram 13

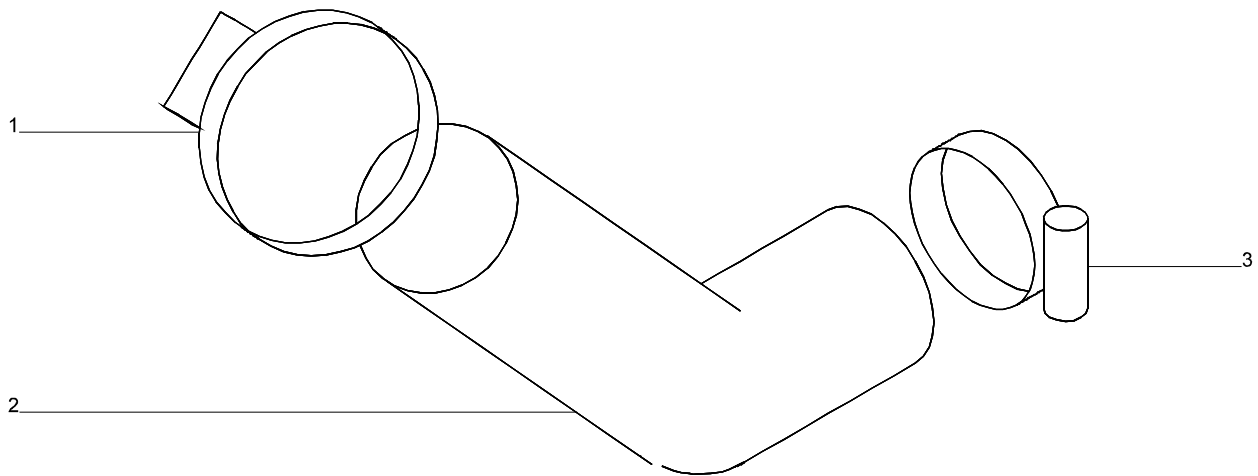


Spare Parts Catalogue

Hose Malmet 2:

(See Diagram 14)

1	Hose Clamp S/S 35-50mm Fits: Rubber Hose – Malmet 2 Hot Water to Suction (Large End)	8-5837SP	1
2	Rubber Hose – Malmet 2 - Hot Water to Suction	82-8162SP	1
3	Hose Clamp S/S 30-45mm Fits: Rubber Hose – Malmet 2 Hot Water to Suction (Small End)	8-5832SP	1



Dwg: Hotpip

Diagram 14

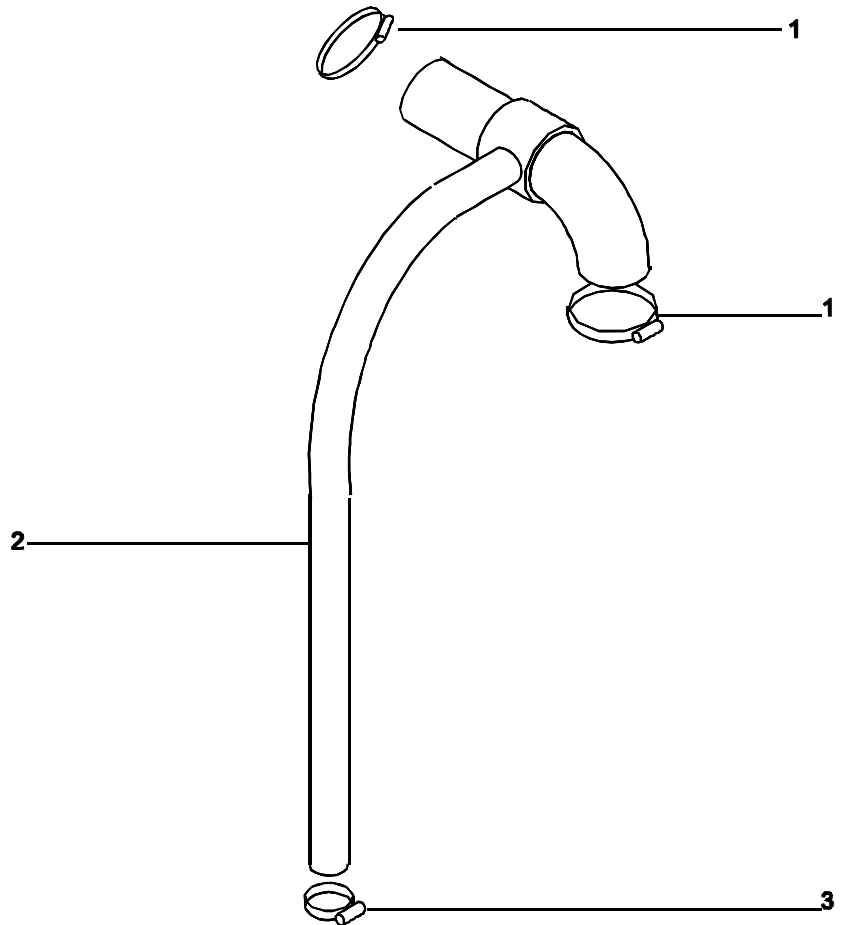


Spare Parts Catalogue

Hose Malmet 3:

(See Diagram 15)

1	Hose Clamp S/S 50-70mm Fits: Rubber Hose – Malmet 3 Vent Pipe	8-5840SP	2
2	Rubber Hose – Vent Pipe No Vent	8-M00-82-300SP	1
3	Hose Clamp S/S 25-40mm Fits: Rubber Hose – Malmet 3 Vent Pipe (Hot Water Tank)	8-5835SP	1



Dwg: Vent

Diagram 15

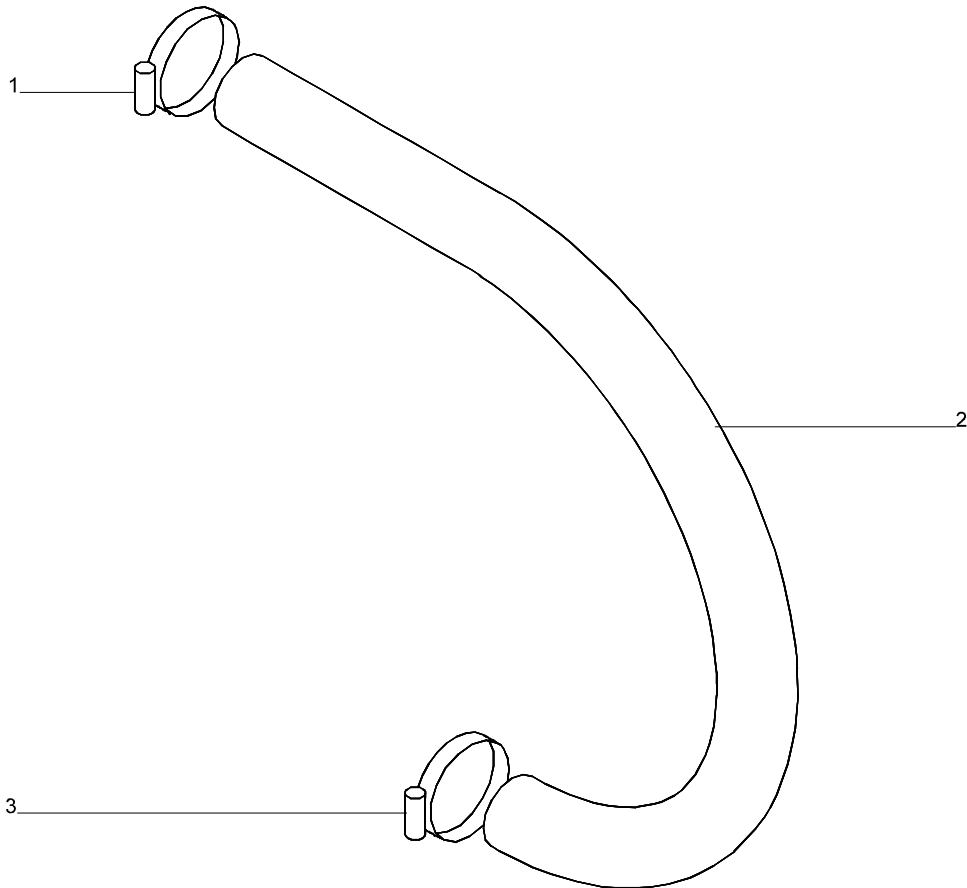


Spare Parts Catalogue

Hose Malmnet 5:

(See Diagram 16)

1	Hose Clamp S/S 35-50mm Fits: Rubber Hose – Cold Tank to Cold Pump (Tank End)	8-5837SP	1
2	Rubber Hose – - Cold Water Pump to Cold Water Tank	8-M00-82-301SP	1
3	Hose Clamp S/S 30-45mm Fits: Rubber Hose – Cold Tank to Cold Pump (Pump End)	8-5832SP	1



Dwg: Coldpip

Diagram 16



Spare Parts Catalogue

Mains Entry Box:

Mains Entry Box – Kits / Assemblies:

Mains Entry Box 13.6kW Assembly	8-K00-82-005SP	1
Mains Entry Box 16.6kW Assembly	8-K00-82-112SP	1

Electrical:

Thermodisc 10H14 Capillary Cutout TL4	82-2325SP	1	
Transformer 1.75A	82-2160SP	1	
Transformer 220V (380V–Overseas Only)	82-2161SP	1	Replaces 82-2160
Bridge Rectifier	82-2165SP	1	
Housing Female H9309	8-2065SP	2	
Contactors & Snubber	8-K00-82-087SP	1	
2-Way Plug & Socket	82-2230SP	1	
Socket Round Pin 413L	82-2345SP	1	
Socket 413	82-2348SP	1	
Fuse Holder 16 Amp	82-2355SP	2	
Fuse 5 Amp	82-2358SP	2	
Fuse 3 Amp	82-2350SP	2	
Terminator 269/20	82-2377SP	2	
Connector Large (Terminal Strip)	82-2317SP	5	
Connector Small (Terminal Strip)	5-20-360SP	1x2, 1x4	
Socket 4 Pin CLI 410	82-2210SP	1	
OTP Current Sani No Vent	8-2101SP	1	
OTP Miscellaneous/Special Standard Sanitizer CELIO SES NV (Low HW Supply Temp)	8-2105SP	1	
Upgrade from 13.6kW to 16.6kW (FS)	8-K00-82-066SP	1	
Upgrade from 13.6kW to 16.6kW (E)	8-K00-82-065SP	1	



Spare Parts Catalogue

FS SERIES

Instrument Panel – Kits / Assemblies:

Front Panel with Overlay	8-K00-82-031SP	1
Front Panel Plastic	82-8501SP	1
Display Overlay	82-2241SP	1
Screw ¼ Turn	8-5894SP	2
Screw ¼ Turn Push On Retainer	8-5896SP	2
Turn Receptacle ¼"	8-5889SP	2
Front Panel – Individual Componentry:		
Front Panel with Overlay	8-K00-82-031SP	1
Display Board	82-2245SP	1
Harness 1 – Display / Main Board	82-2258SP	1
Interconnect		
Circuit Board NV HF Main (SKCM320)	82-2255SP	1
Instrument Panel Harness NV Complete	8-K00-82-169SP	1
Front Panel Complete with Harness NV	8-K00-82-171SP	1
Circuit Board Cover Complete	8-K00-82-045SP	1
Circuit Board Cover	82-2268SP	1
Circuit Board Cover Gasket	8-M00-82-323SP	1
Instrument Panel Assembly Complete NV	8-K00-82-168SP	1
Front Panel Complete with Harness NV	8-K00-82-171SP	1
Circuit Board Cover Complete	8-K00-82-045SP	1
Harness 2 – Hot Tank Sensor	82-2261SP	1
Temperature Thermistor (Spray Pipe Sensor)	82-2264SP	4
Harness 4 – Door Micro Switch (with lugs)	8-M00-82-575SP	1
Harness 5 – No Vent Water Level	82-2262SP	1
Micro Switch VP-53IC-3H	82-2361SP	1
Instrument Panel – Individual Componentry:		
Fuse 5 x 20mm 315mA	82-2352SP	1
PCB Kit No Vent		
PCB Kit No Vent Hands Free	82-2256SP	1
Door Lock Mechanism:		
Door Lock Actuator Assembly	8-K00-82-060SP	1



Spare Parts Catalogue

E SERIES

Instrument Panel – Kits / Assemblies:

Front Panel with Overlay	8-K00-82-030SP	1
Front Panel Plastic	82-8501SP	1
Display Overlay	82-2240SP	1
Screw ¼ Turn	8-5894SP	2
Screw ¼ Turn Push On Retainer	8-5896SP	2
Turn Receptacle ¼"	8-5889SP	2
Front Panel – Individual Componentry:		
Front Panel with Overlay	8-K00-82-030SP	1
Display Board	82-2245SP	1
Harness 1 – Display / Main Board		
Interconnect	82-2258SP	1
Circuit Board NV Main	82-2253SP	1
Instrument Panel Harness NV Complete	8-K00-82-169SP	1
Front Panel Complete with Harness NV	8-K00-82-166SP	1
Circuit Board Cover Complete	8-K00-82-045SP	1
Circuit Board Cover	82-2268SP	1
Circuit Board Cover Gasket	8-M00-82-323SP	1
Instrument Panel Assembly Complete NV	8-K00-82-165SP	1
Front Panel Complete with Harness NV	8-K00-82-166SP	1
Circuit Board Cover Complete	8-K00-82-045SP	1
Harness 2 – Hot Tank Sensor	82-2261SP	1
Temperature Thermistor (Spray Pipe Sensor)	82-2264SP	4
Harness 4 – Door Micro Switch (with lugs)	8-M00-82-575SP	1
Harness 5 – No Vent Water Level	82-2262SP	1
Micro Switch VP-53IC-3H	82-2361SP	1
Instrument Panel – Individual Componentry:		
Fuse 5 x 20mm 315mA	82-2352SP	1
PCB Kit No Vent		
PCB Kit No Vent	82-2252SP	1
Door Lock Mechanism:		
Door Lock Actuator Assembly	8-K00-82-060SP	1



Spare Parts Catalogue

Miscellaneous Fasteners:

Adjustable Foot and Insert	82-8095SP	4
Turn Receptacle ¼"	8-5889SP	2

Manufactured Materials/Spare Parts:

General (All Models)

Door – Splash Guard	8-M00-82-058SP	1
Mains Entry Box Cover (External)	8-M00-82-019SP	1
Mains Entry Box Lid	8-M00-82-161SP	1
S&P Trap Clamping Flange	8-M00-82-116SP	1
Bottom Front Panel	8-M00-82-122SP	1
Hot Water Pump Bracket	8-M00-82-136SP	1
Steam Prevention Strip	8-M00-82-325SP	1

Freestanding (FS540, FS542 & E5FNV)

Outer Side Panel LH	8-M00-82-023SP	1
Outer Side Panel RH	8-M00-82-024SP	1
No Vent Top Panel	8-M00-82-125SP	1

Concealed Rear Service (FS550, FS552 & E5CNV)

Concealed Top Panel No Vent (Gal)	8-M00-82-351SP	1
Concealed Strips STD (Sides)	8-M00-82-037SP	2
Concealed Strips STD (Top)	8-M00-82-039SP	1