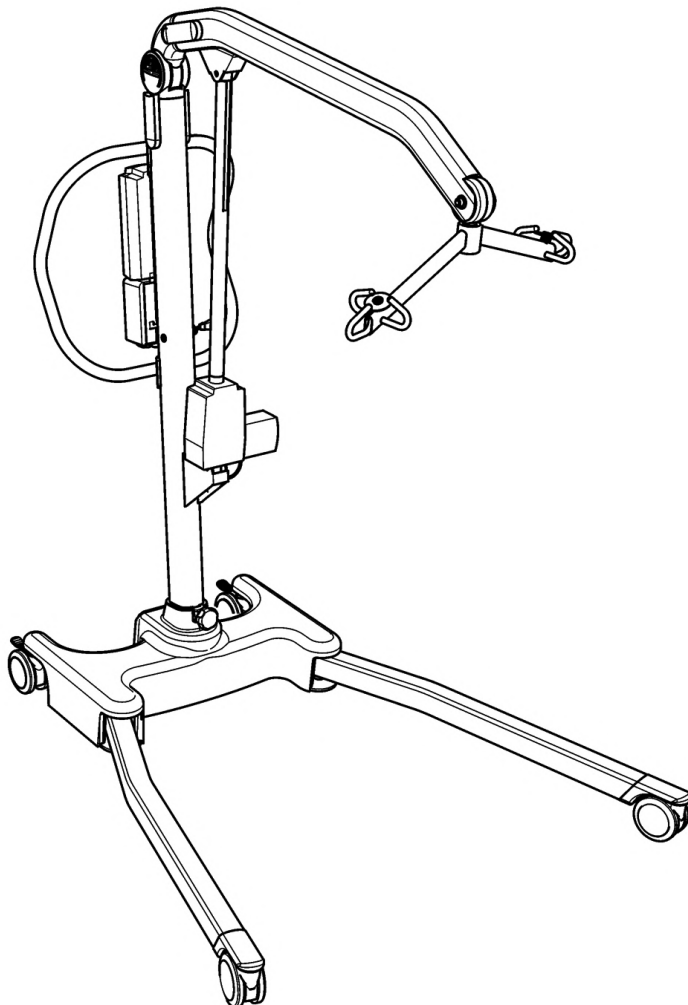
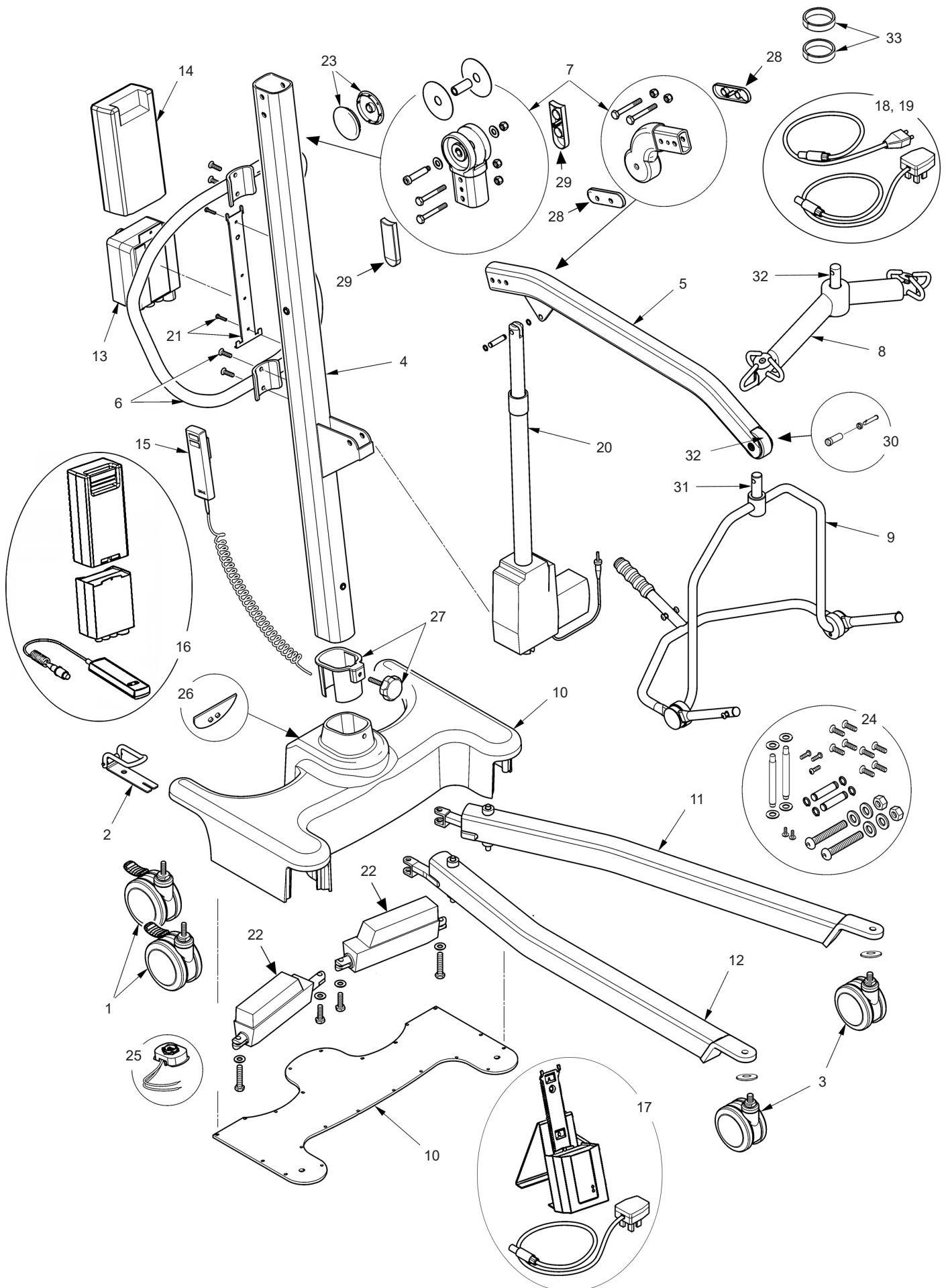


Parts Manual

Oxford® Presence



NO	PART NUMBER	DESCRIPTION	QTY
1	0Y0066	100mm rear castor (braked)	2
2	0Y0263	Straight-line steering device	1
3	0Y0073	100mm front castor (non-braked) (inc. load bearing washer and tightening wrench - wrench not shown)	2
4	0Y0082	Mast extrusion (inc. labels) (OXF-PRESENCE models only)	1
	0YJH009390	Mast extrusion (OXF-PRESENCE-S models only)	1
5	0Y0083	Boom extrusion (inc. boom end caps and labels, except product name label)	1
6	0Y0084	Push handle assembly (inc. fixings)	1
7	0Y0089	Casted boom to mast pivot joint (inc. connection bolts/fixings/spacers)	1
8	0Y0048	Spreader bar assembly complete (6-point)	1
9	0Y0050	Cradle assembly complete (4-point)	1
10	0Y0080	Base assembly (inc. base casting, bottom plate and labels, not internal parts)	1
11	0Y0085	Left leg extrusion (inc. fixings)	1
12	0Y0086	Right leg extrusion (inc. fixings)	1
-	39001310	Low legs kit (not shown)	1
13	39001370	Control box (Smart™ Monitor)	1
	0Y0074	Control box (Standard)	1
14	11012180	Battery pack	1
15	39001309	User handset (Smart™ Monitor only)	1
	0Y0075	User handset (Standard control box)	1
-	39001179	Calibration handset (Smart™ Monitor only) (not shown)	1
-	39001178	Actuator reset handset (Smart™ Monitor only) (not shown)	1
16	39001316	Smart™ Monitor retrofit kit (inc. control box, battery and user handset)	1
17	39001183	Charger and stand assembly (with UK charger lead)	1
18	11012183	Charger lead (UK)	1
19	11012184	Charger lead (EU)	1
20	0Y0087	Actuator (LA34) - 400mm stroke (inc. location pins, sleeves, washers, circlips and labels) (OXF-PRESENCE models only)	1
	11014708	Actuator (LA44) - 400mm stroke	1
-	39001314	Actuator fixing kit (OXF-PRESENCE-S models only) (not shown)	1
-	0Y0893	Actuator (LA44) power lead (not shown)	1
21	0Y0069	Battery and controller bracket (inc. fixings)	1
22	0Y0081	Leg opening actuator - 30mm stroke (inc. bolts and fixings)	1
23	0Y0126	Pivot caps	2
24	0Y0088	Fixings kit (all bolts, screws and fixings)	1
25	0Y0077	Mast to base electrical connection kit (inc. wires)	1
-	0Y0129	Base to actuator electrical connection kit (inc. wires) (not shown)	1
26	0Y0078	Foot push pad assembly complete	2
27	0Y0079	Mast locking knob assembly (inc. plastic base insert)	1
28	0Y0108	Boom to mast pivot plastic caps	2
29	0Y0076	Mast side caps	2
30	0YJH009400	Quick release pin kit	1
31	0Y0380	Spreader bar washer and o-ring spares kit	1
32	0Y0728	Boom end plastic cap	1
33	11015567	Bushing anti-friction for king pin (After March 2015)	2
-	0Y0128	Castor tightening wrench (not shown)	1
-	0Y0091	Decal set (exc. serial number labels) (not shown)	1
-	0Y0070	Handset clip (not shown)	2
-	808003.10013	Sling retainer assembly (not shown)	2



Distributor

EVOCARE AUSTRALIA PTY LIMITED

A.B.N. 98 078 566 604

Trading as **EVOCARE** and **L&M EQUIPMENT**

P.O. Box 1144, Stafford Qld. 4053

Ph: 07 3355 8000 Fax: 07 3355 5043

Website: <http://www.evocare.com.au>

Email: sales@evocare.com.au

workshop@evocare.com.au

warehouse@evocare.com.au

accounts@evocare.com.au

