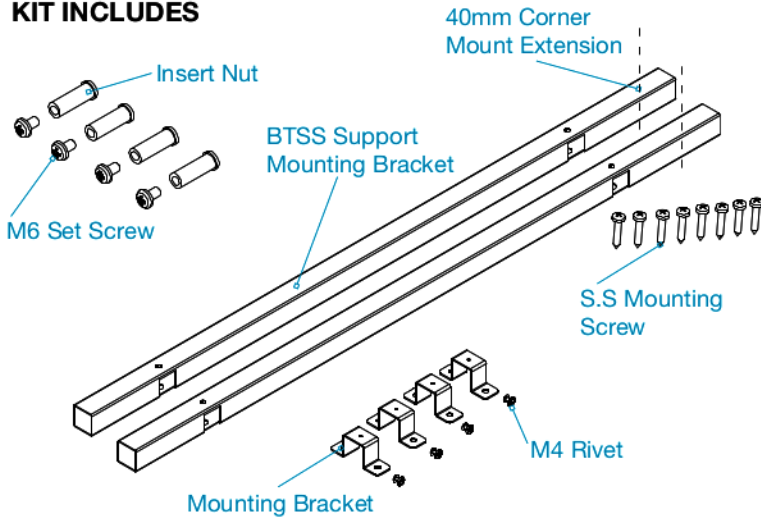


HomeAssist™

Mounting Kit for Shower Seats

KIT INCLUDES



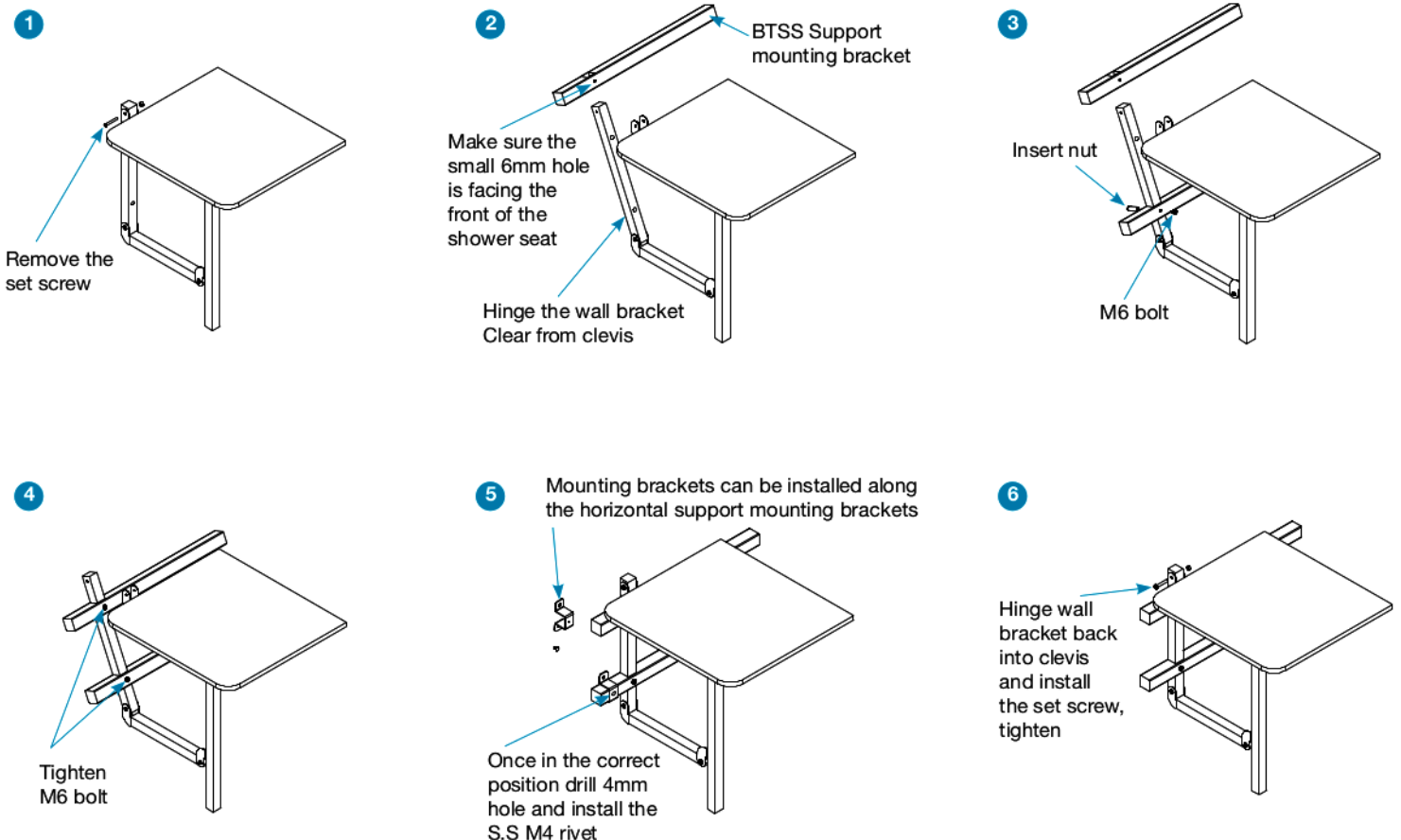
The Mounting Kit for Shower Seats is to assist in the installation of Bendtech™ Shower Seats where stud spacing may cause mounting issues.

Designed for installers, facility managers and home owners who recognise the requirement to place fixings on the wall stud for correct installation.

Use in conjunction with Bendtech™ Shower Seat as shown in 6 easy steps below. Suitable for corner mounting.

BRACKET MOUNTING KIT CODE	TO SUIT SHOWER SEAT
BTSS450BMK	BTSS450
BTSS600BMK	BTSS600
BTSS700BMK	BTSS700
BTSS800BMK	BTSS800
BTSS960BMK	BTSS960

INSTALLATION AS BELOW



BENDTECH™

Stainless Steel Tubular Products

Distributor

EVOCARE AUSTRALIA PTY LIMITED

A.B.N. 98 078 566 604

Trading as **EVOCARE** and **L&M EQUIPMENT**

P.O. Box 1144, Stafford Qld. 4053

Ph: 07 3355 8000 Fax: 07 3355 5043

Website: <http://www.evocare.com.au>

Email: sales@evocare.com.au

workshop@evocare.com.au

warehouse@evocare.com.au

accounts@evocare.com.au

