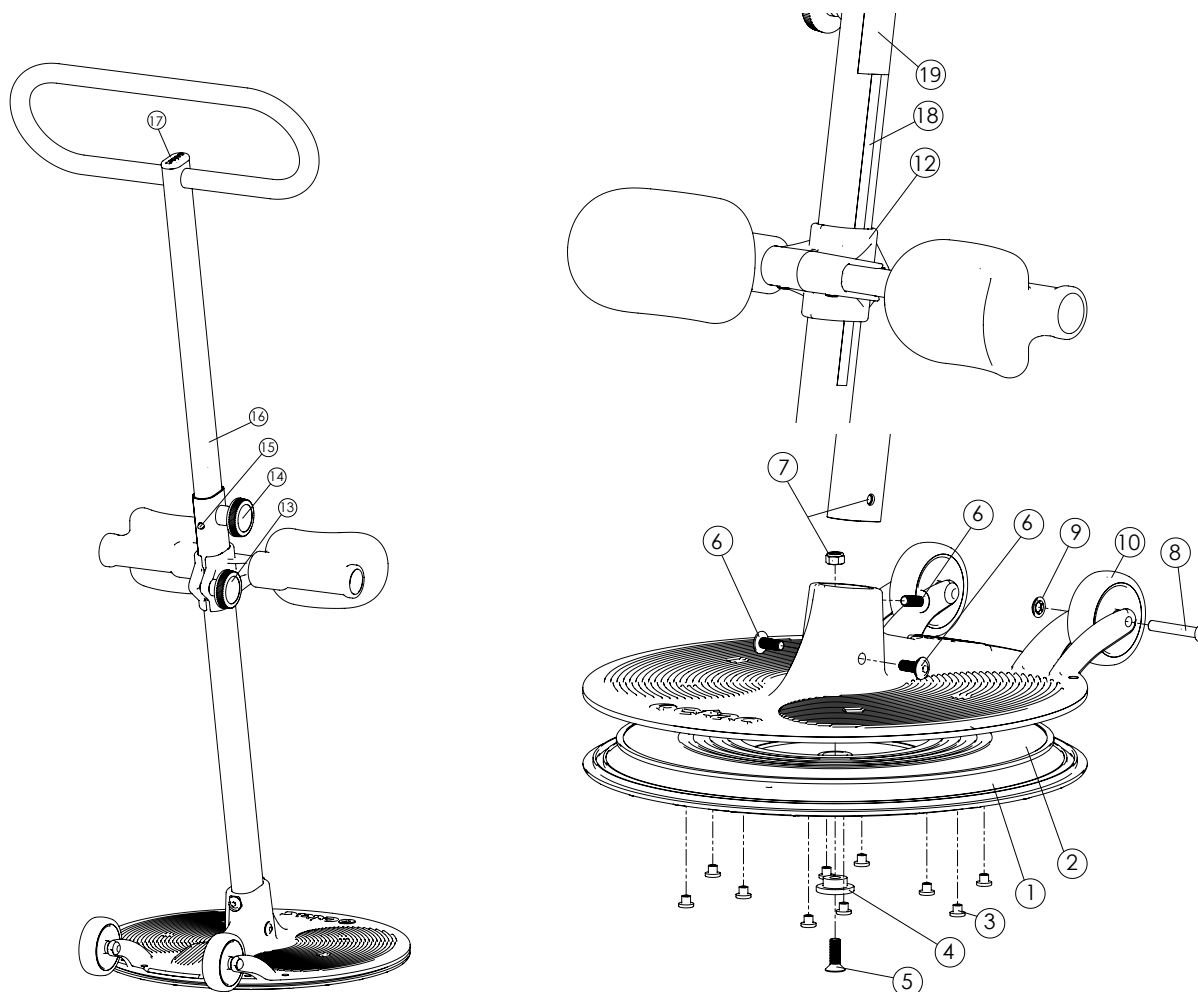


Turner PRO

Spare part list - *from serial number 5109*



41-154 Rev C 2019-10-15



Pos	Title	Item no.
1.	Floor plate with knobs	28055
2.	Low friction disc	51111
3.	Antiskid knob	51112
4.	Bushing.....	82972
5.	Insex bolt M 8x25 DIN 7991 Fzn.....	11679
6.	Unbrako M 8x20 K6SF Fzn	11680
7.	Lock nut M 8 fzb DIN 985-6.....	12011
8.	Bolt elzn DIN 660 steel 8x48 Fzn.....	14040
9.	Starlock Ø8.....	13046
10.	Wheel	82973

Pos	Title	Item no.
12.	Lower leg support (complete)	28048
13.	Handle M8	83028
14.	Handle M10	82971
15.	Snap locking spring.....	82970
16.	Inner pole	83155
17.	Oval pipe plug.....	51150
18.	Height label.....	71365
19.	User label	71366

